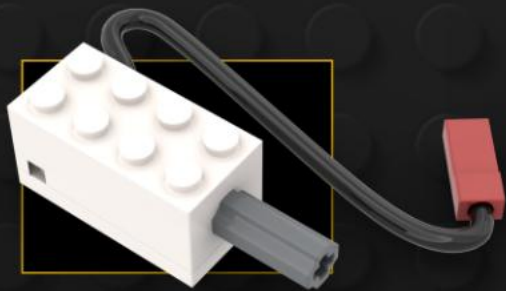




# INSTALLATION GUIDE

Project Hail Mary  
11389



Lego-compatible power sets



# Section 1 – New Parts Overview

## New Parts Overview



1x



1x



2x



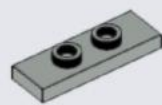
2x



2x



1x

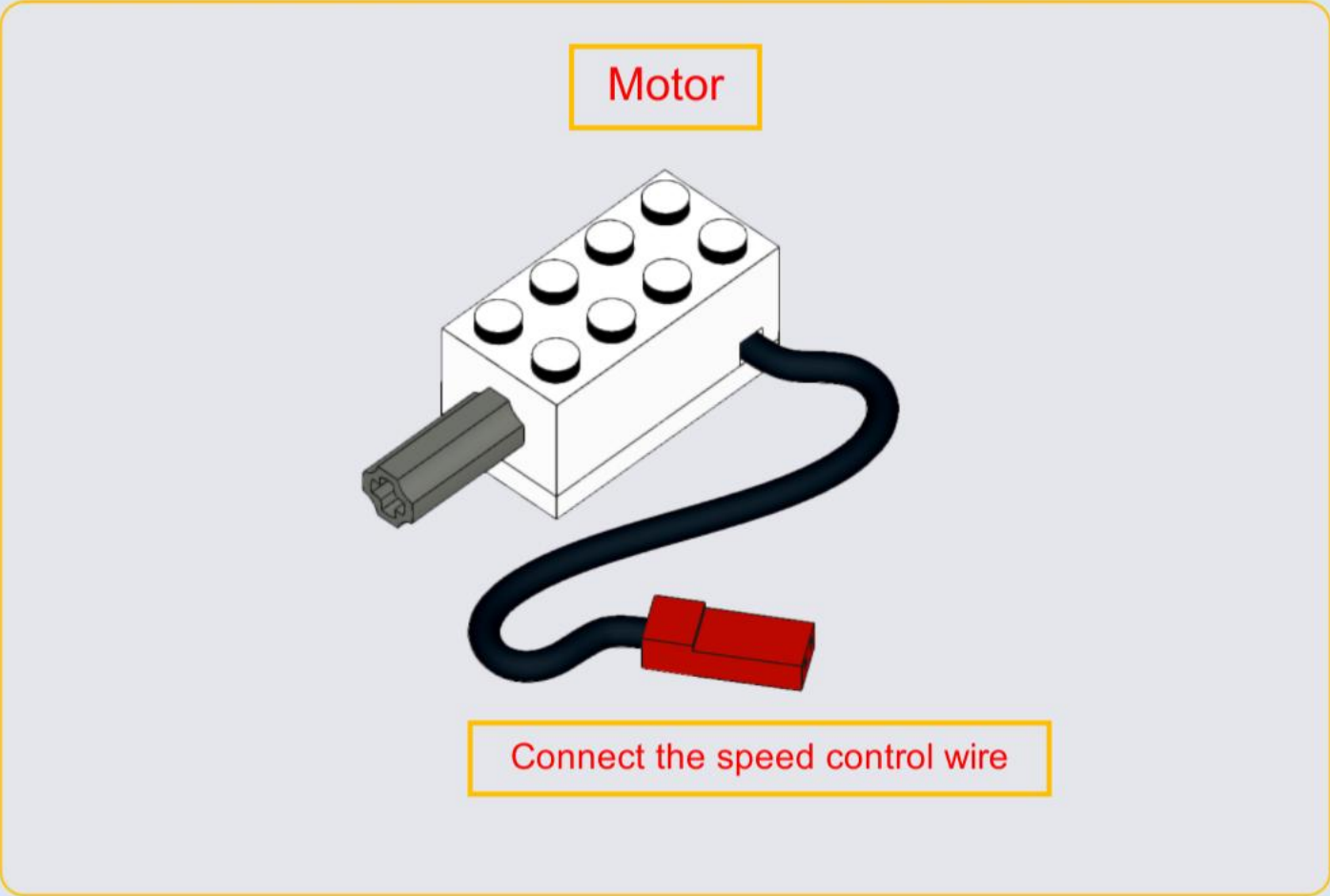


5x

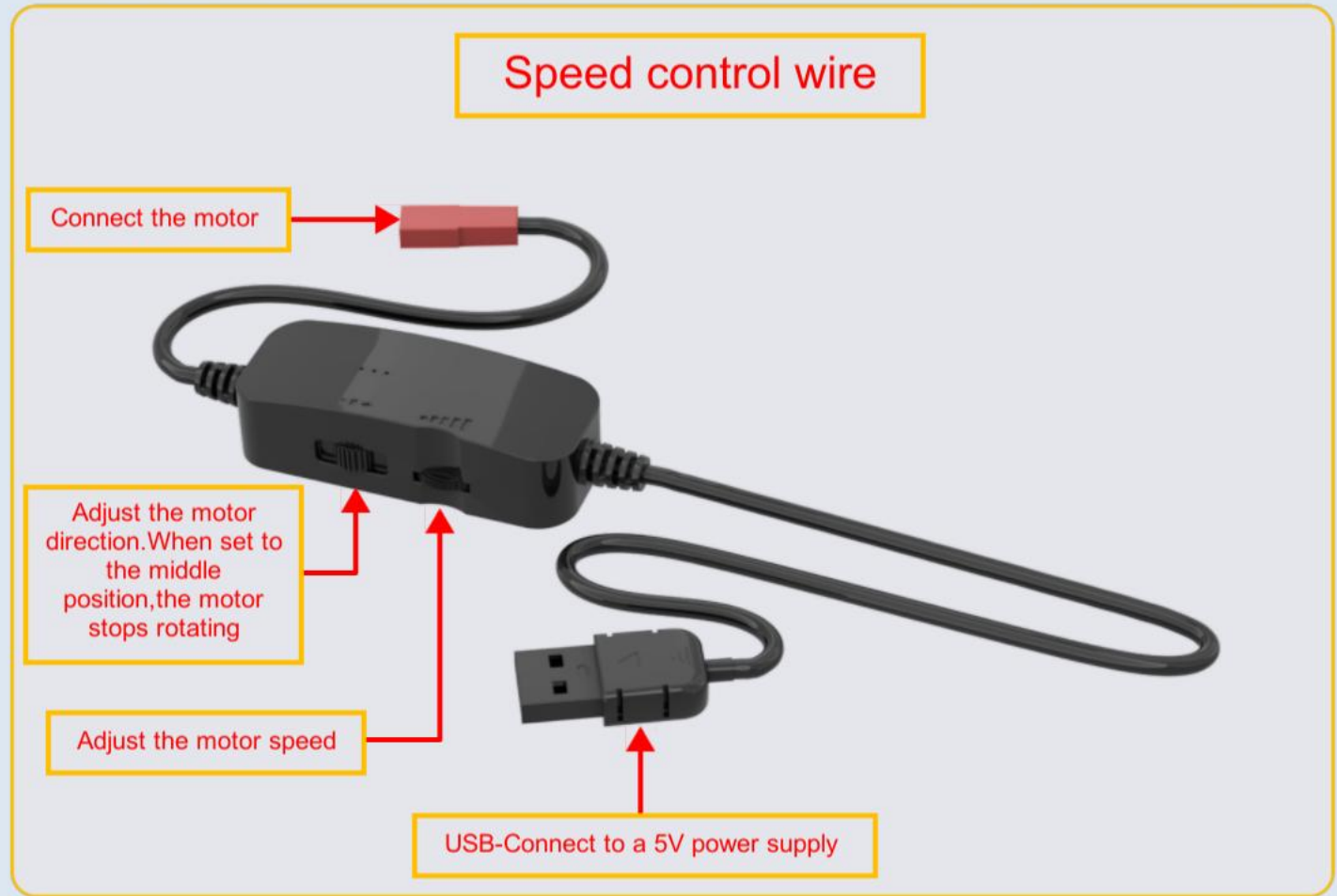


4x

# New Parts Overview

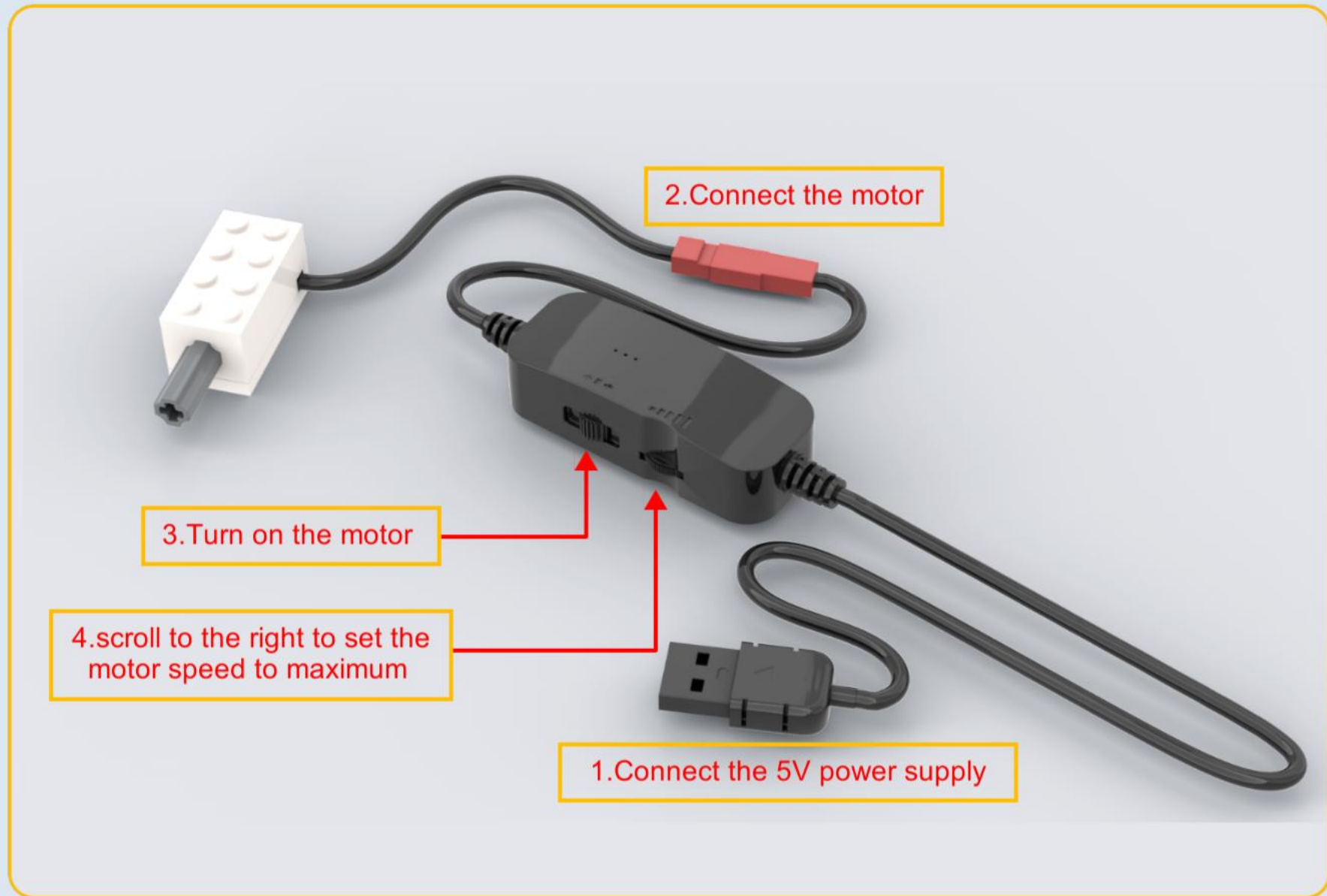


## New Parts Overview



## Section 2 – Power System Testing

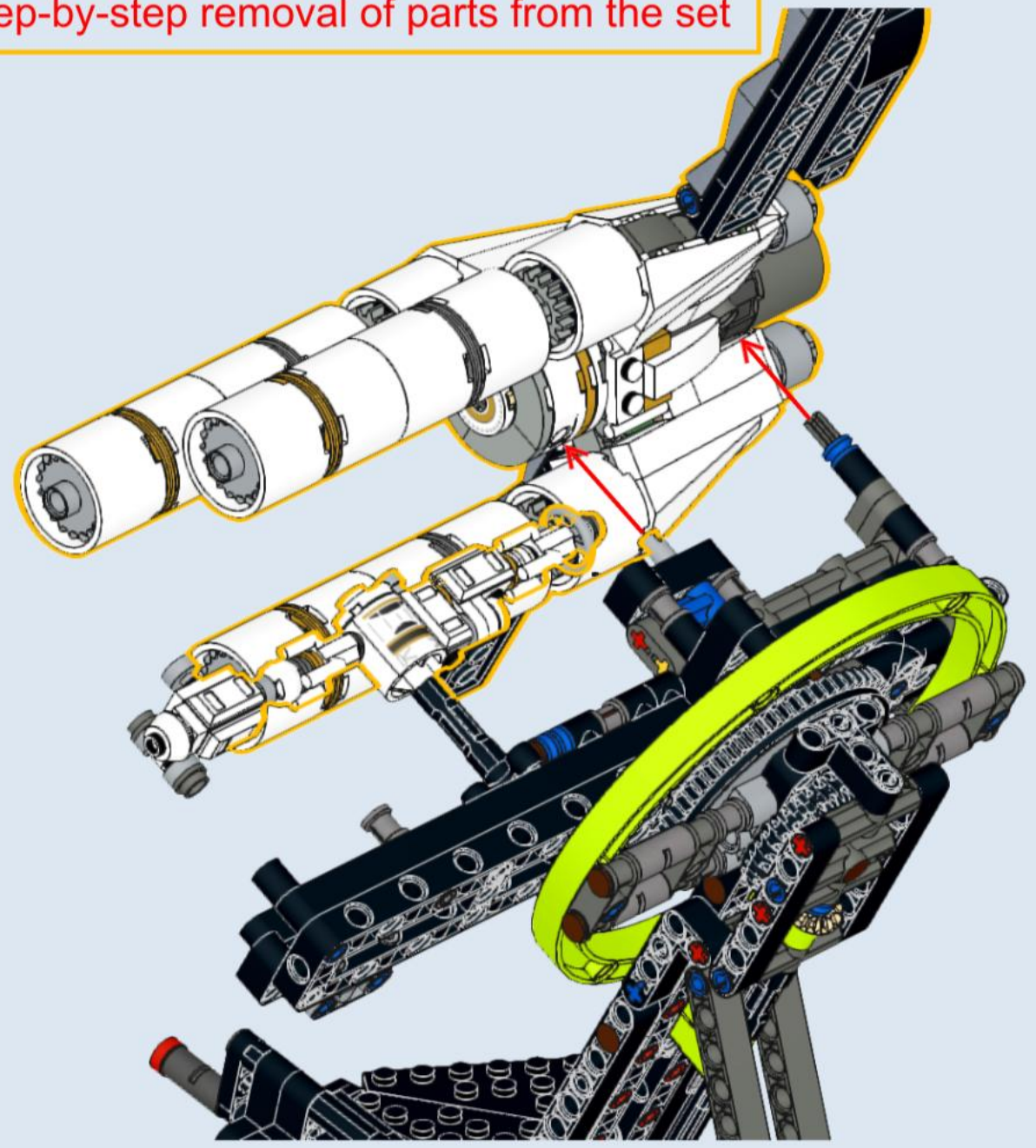
## Testing



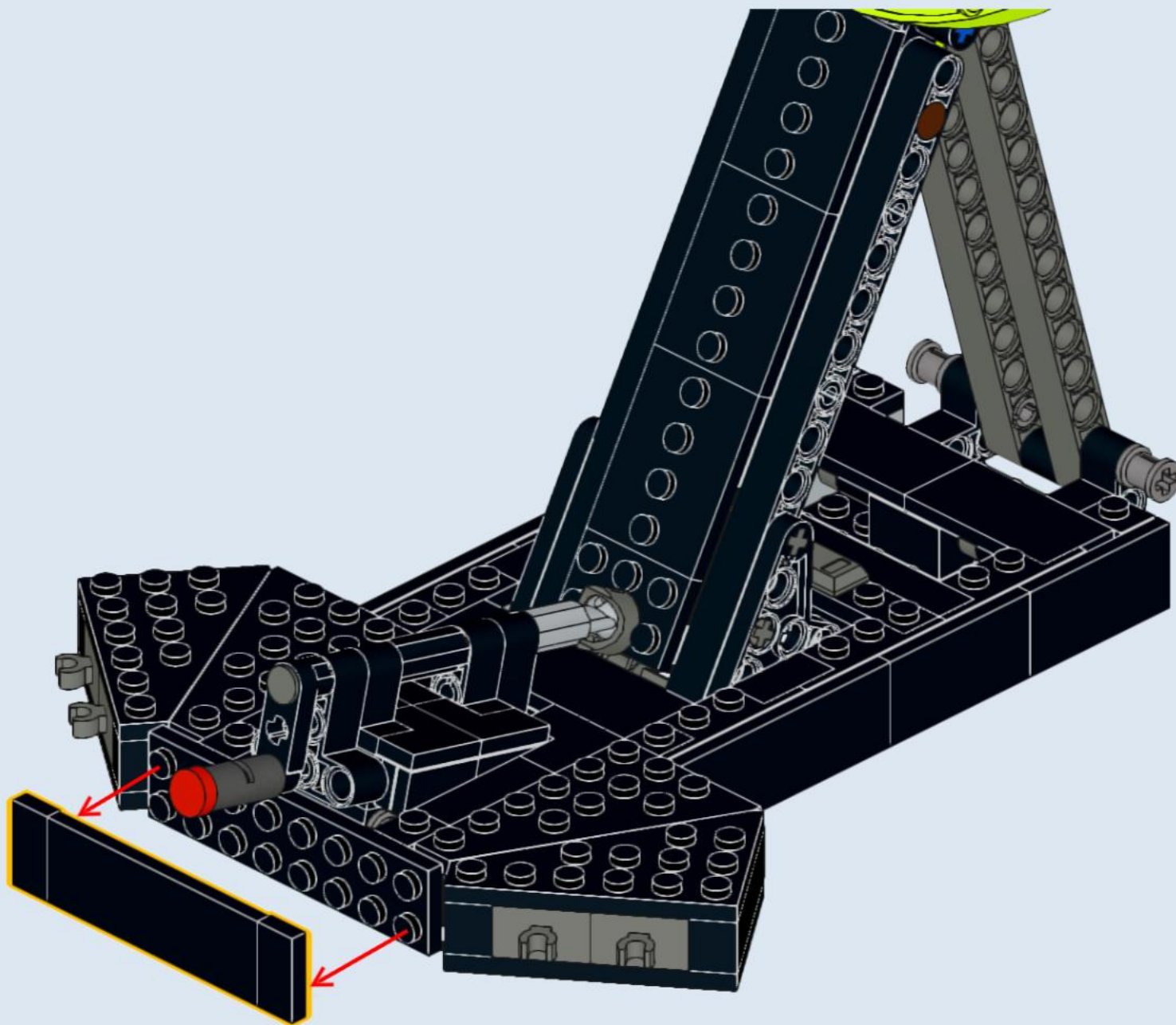
## Section 3 – Preparation Before Building

1

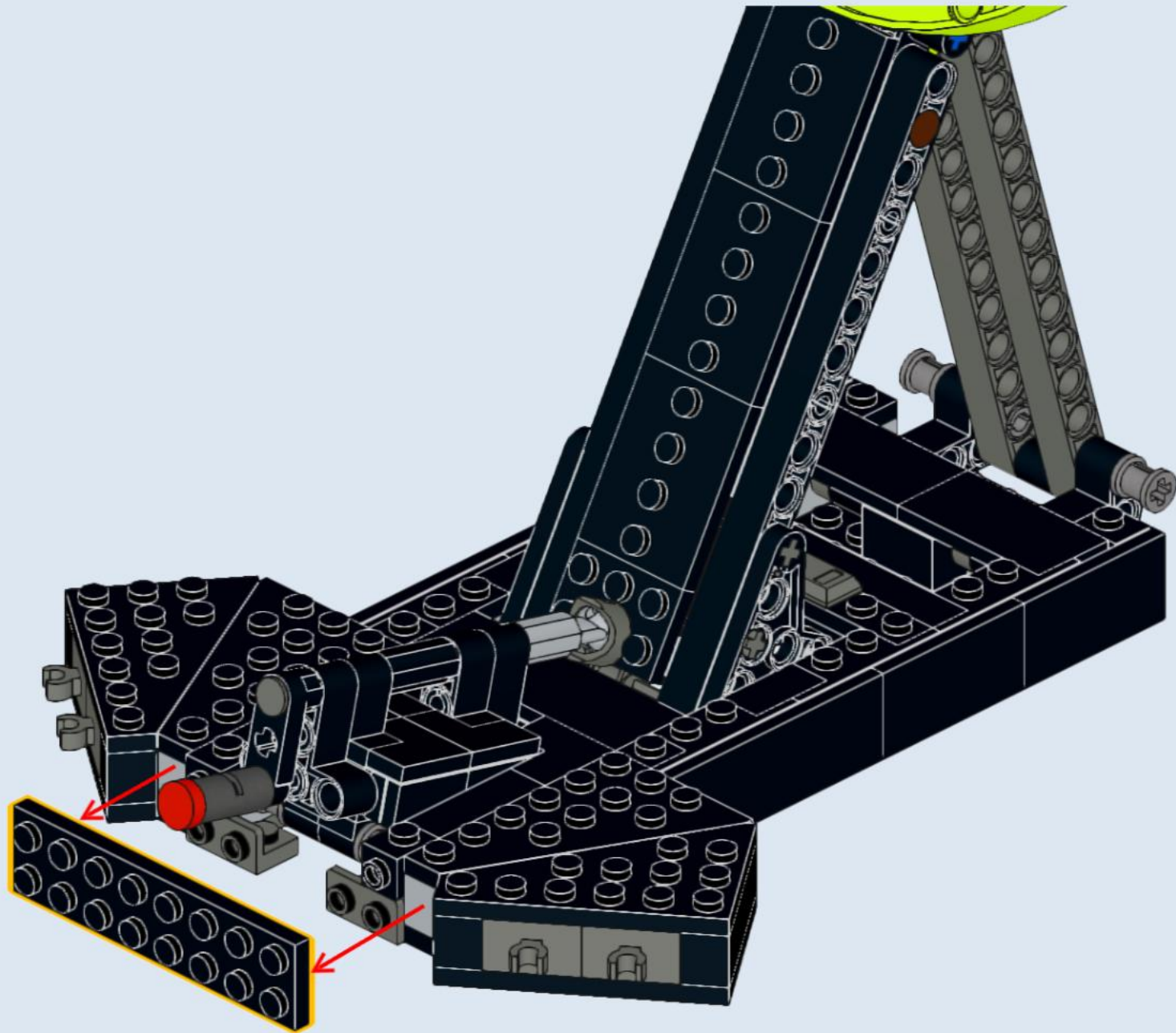
Step-by-step removal of parts from the set



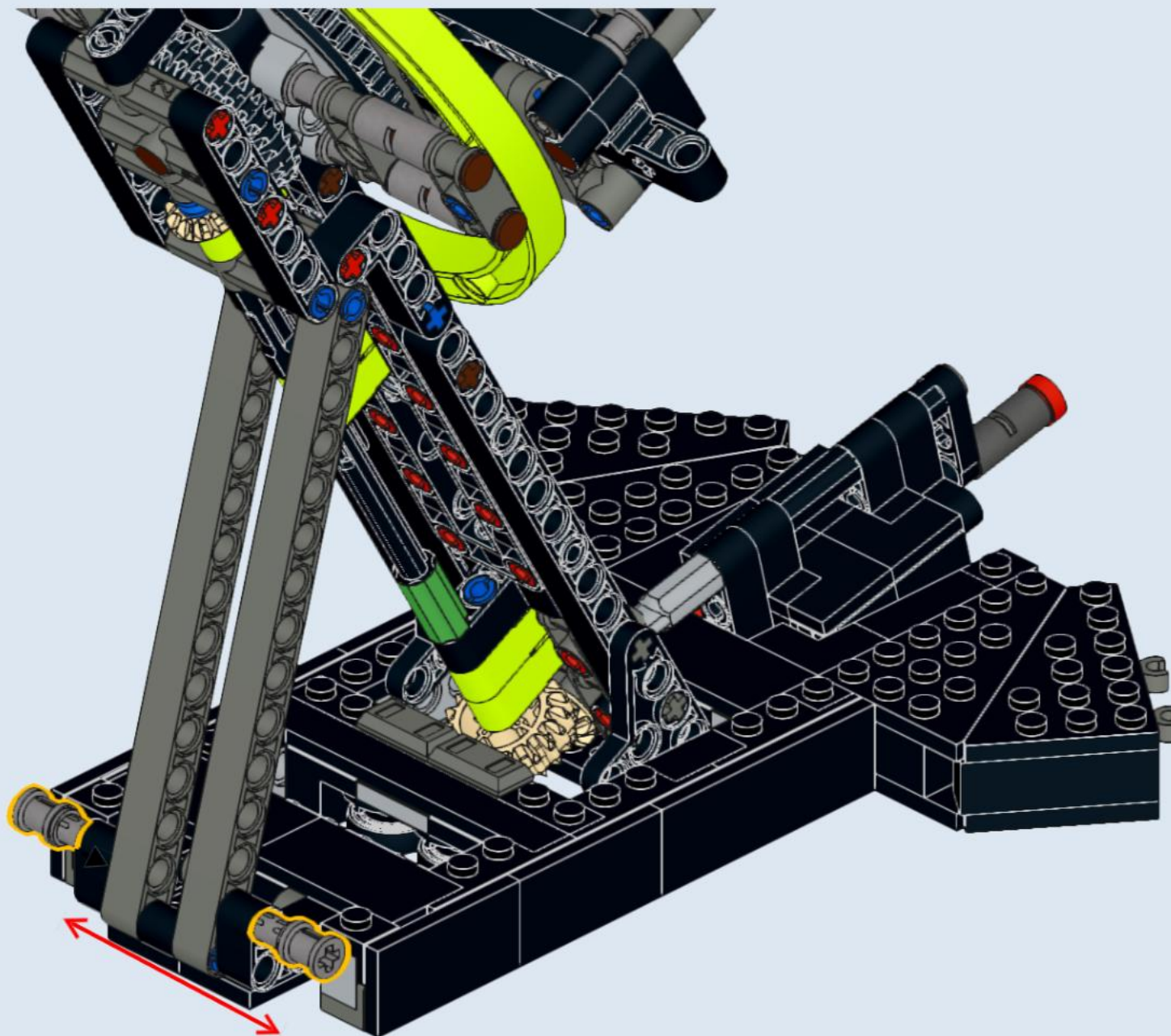
2



3

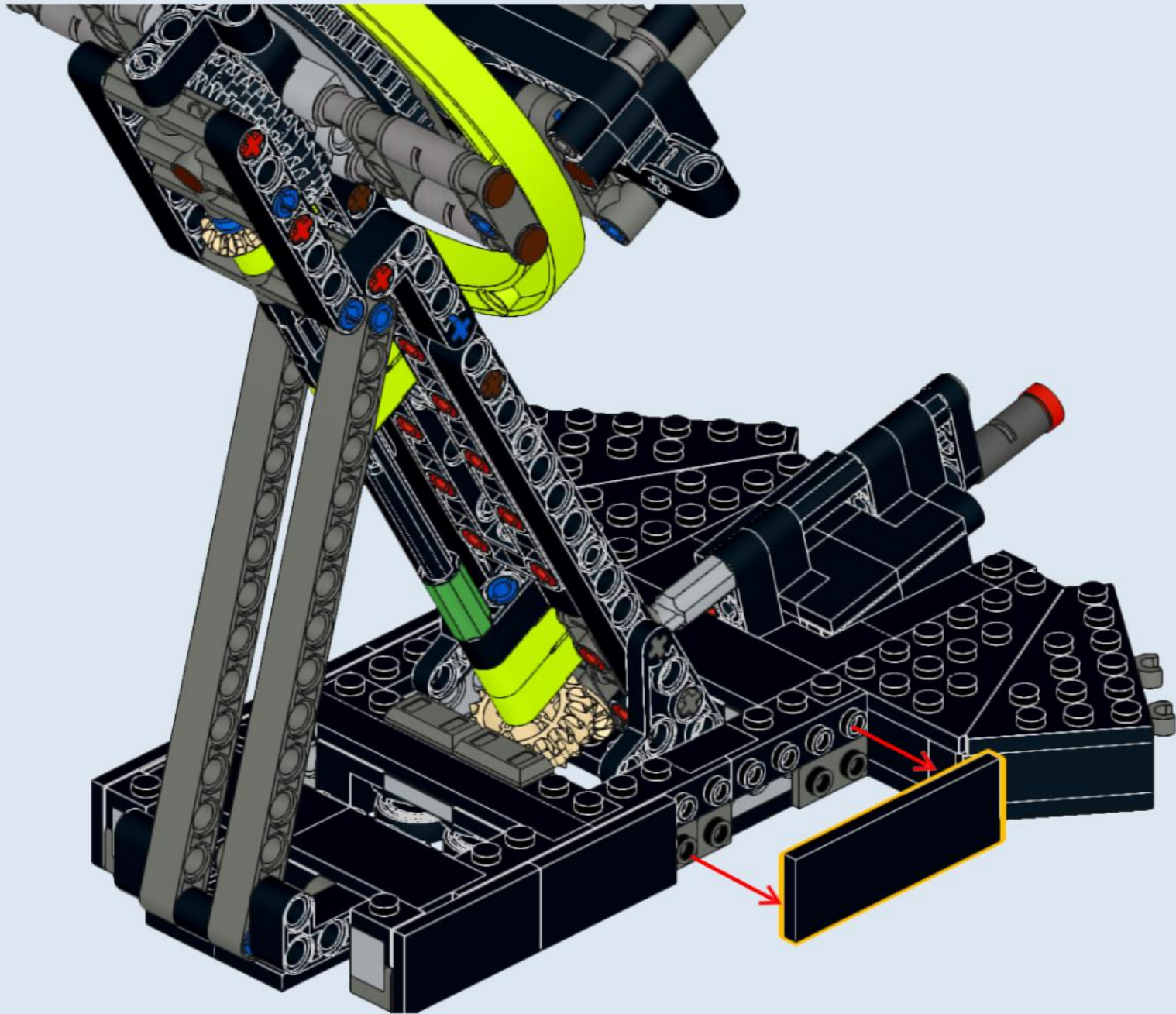


4

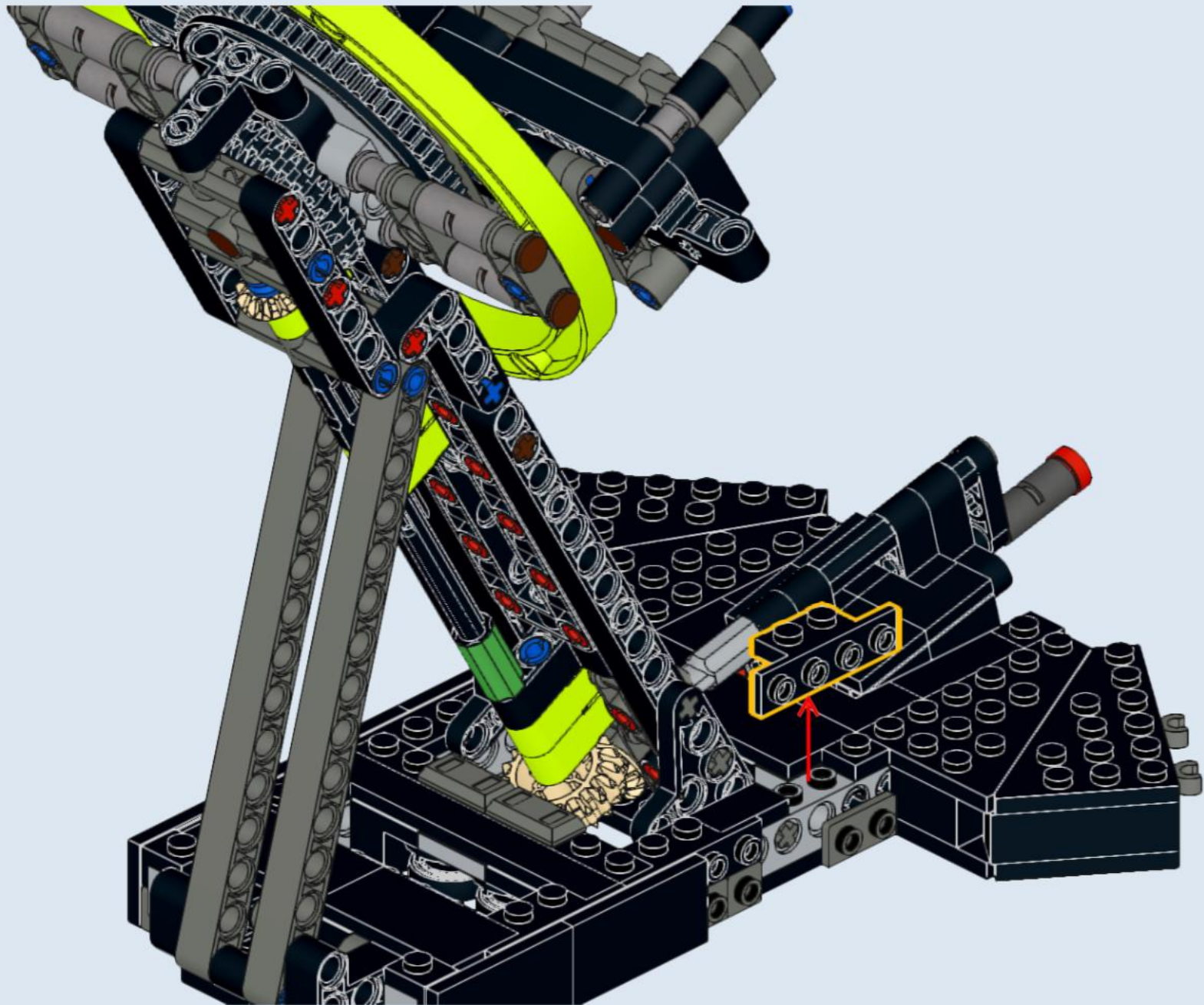


Pull outward to remove

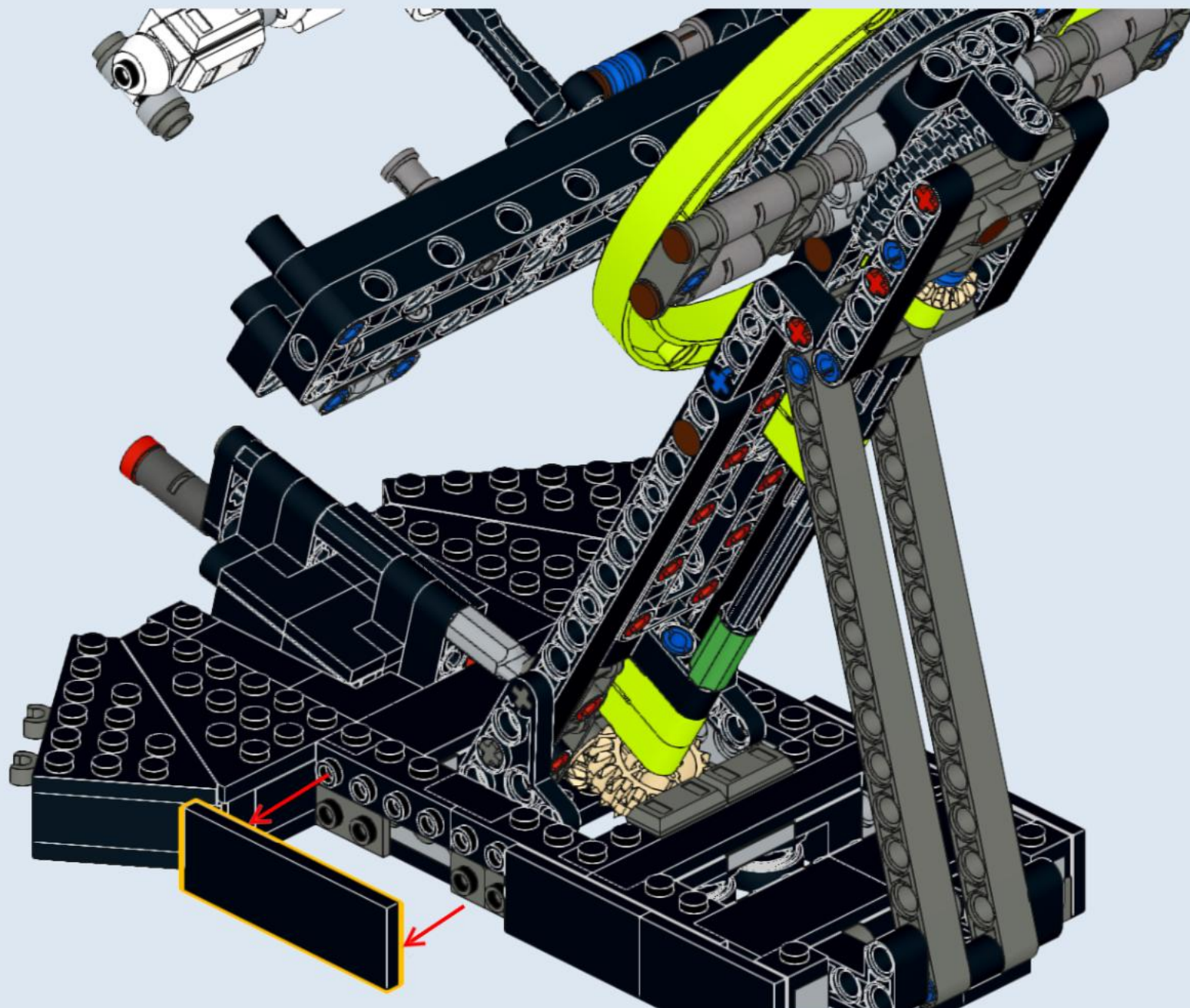
5



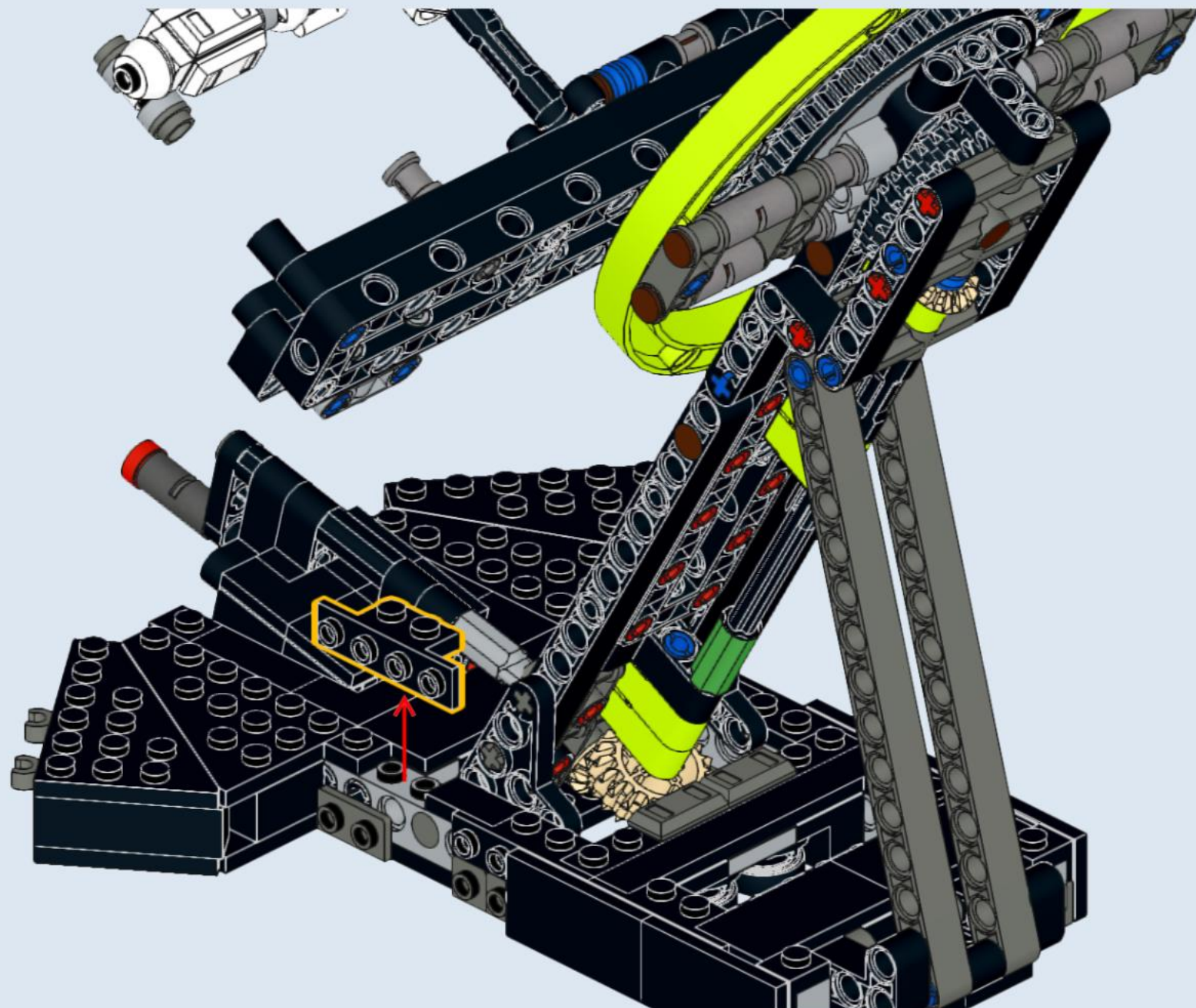
6



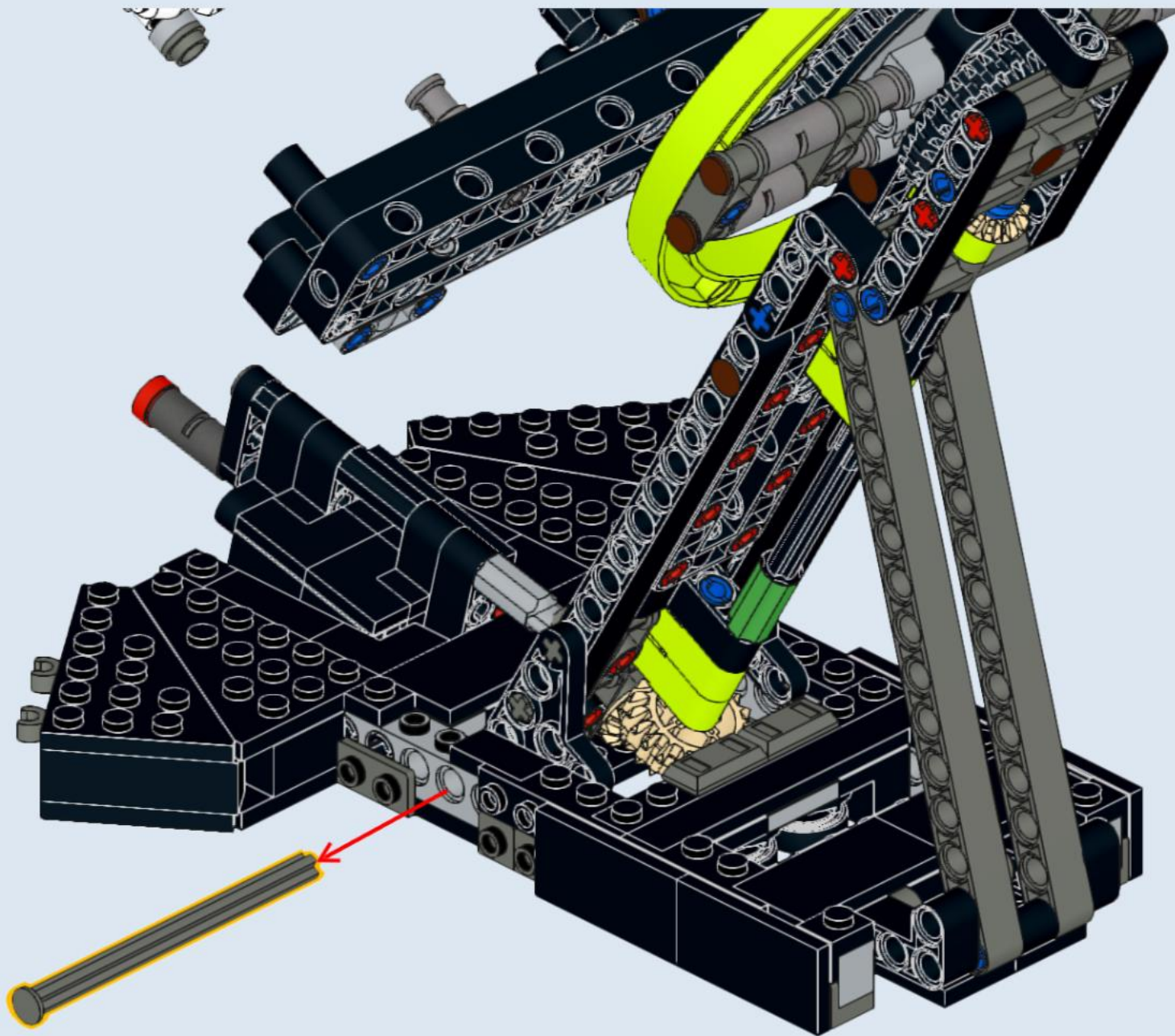
7



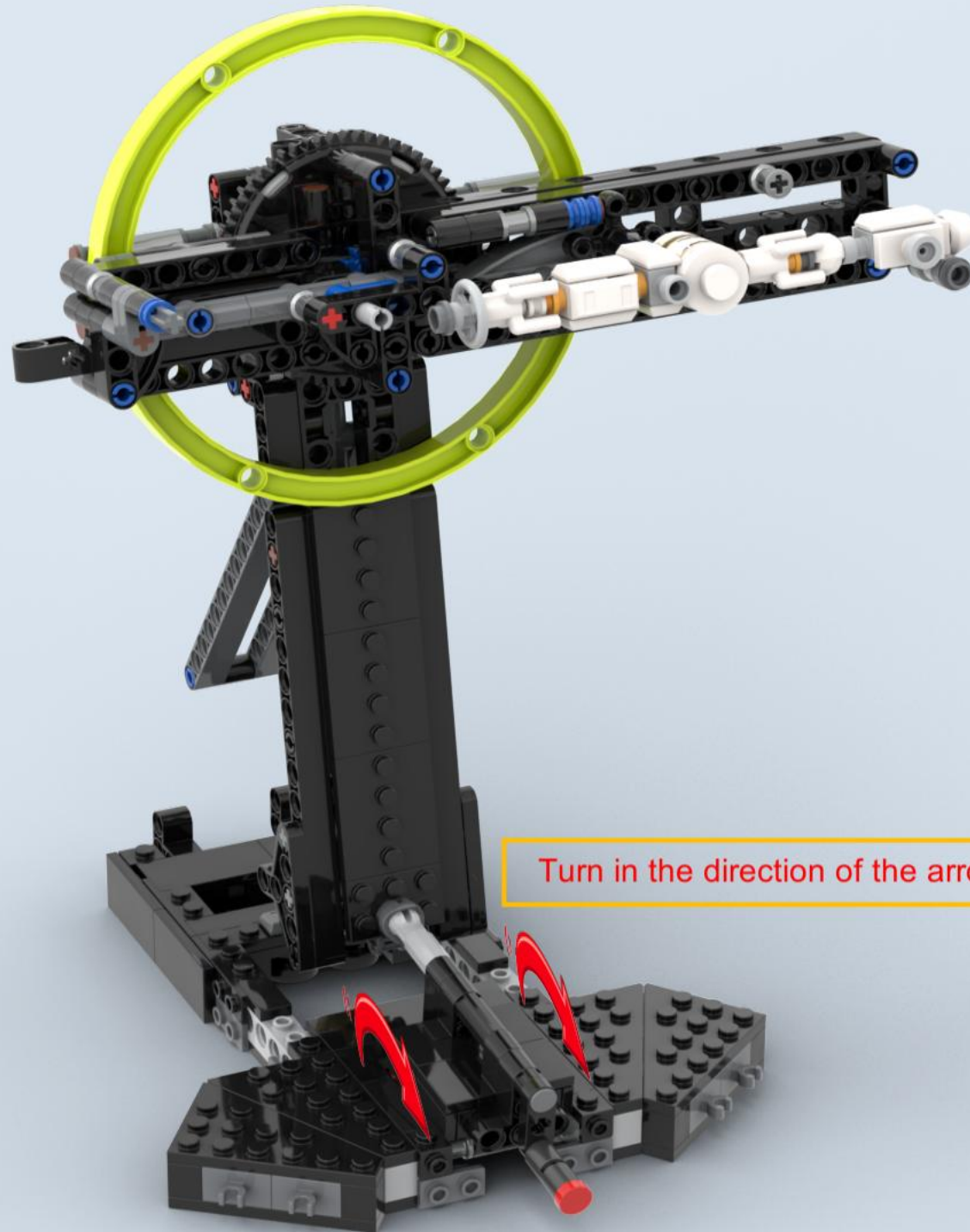
8



9

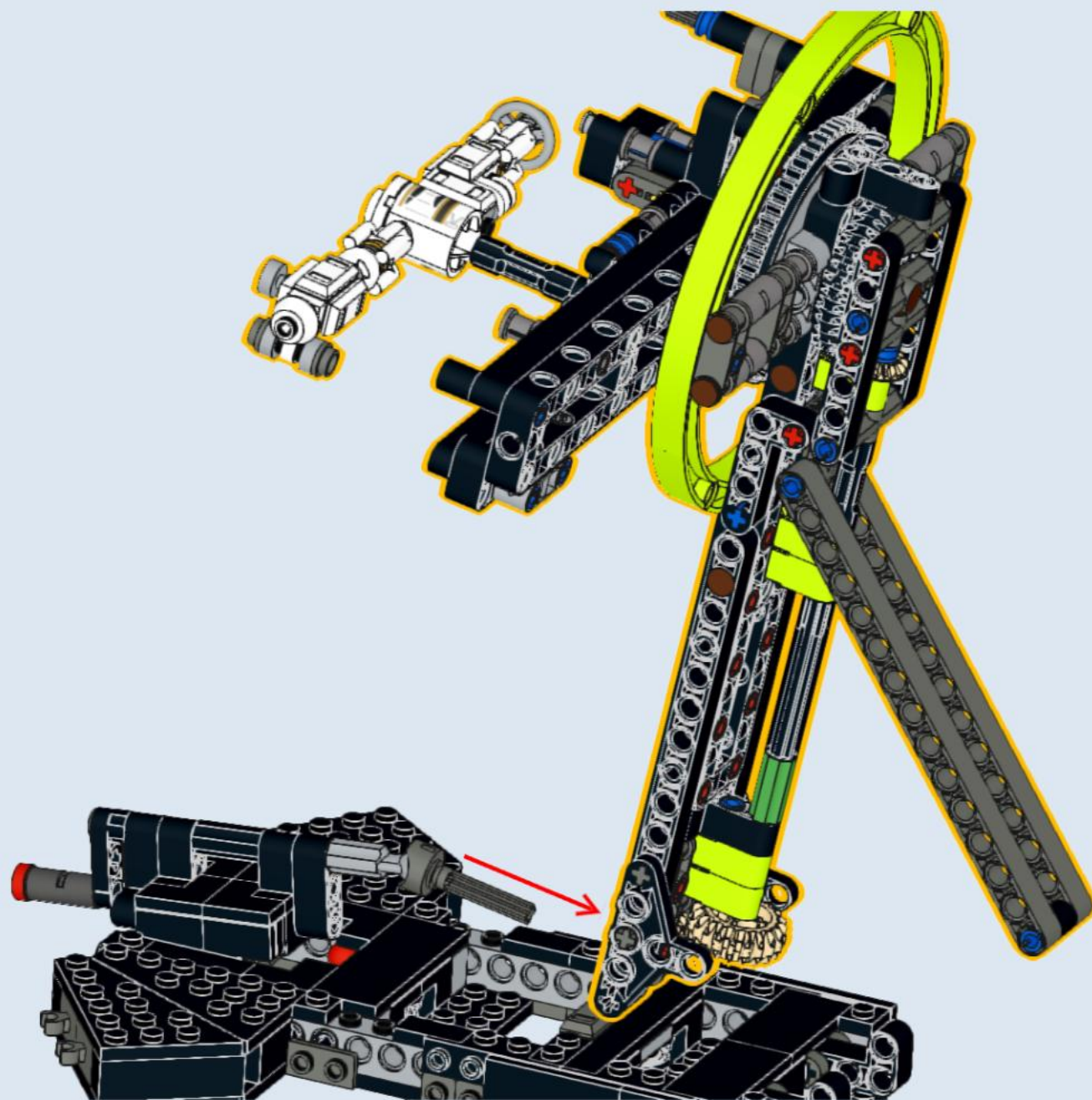


10

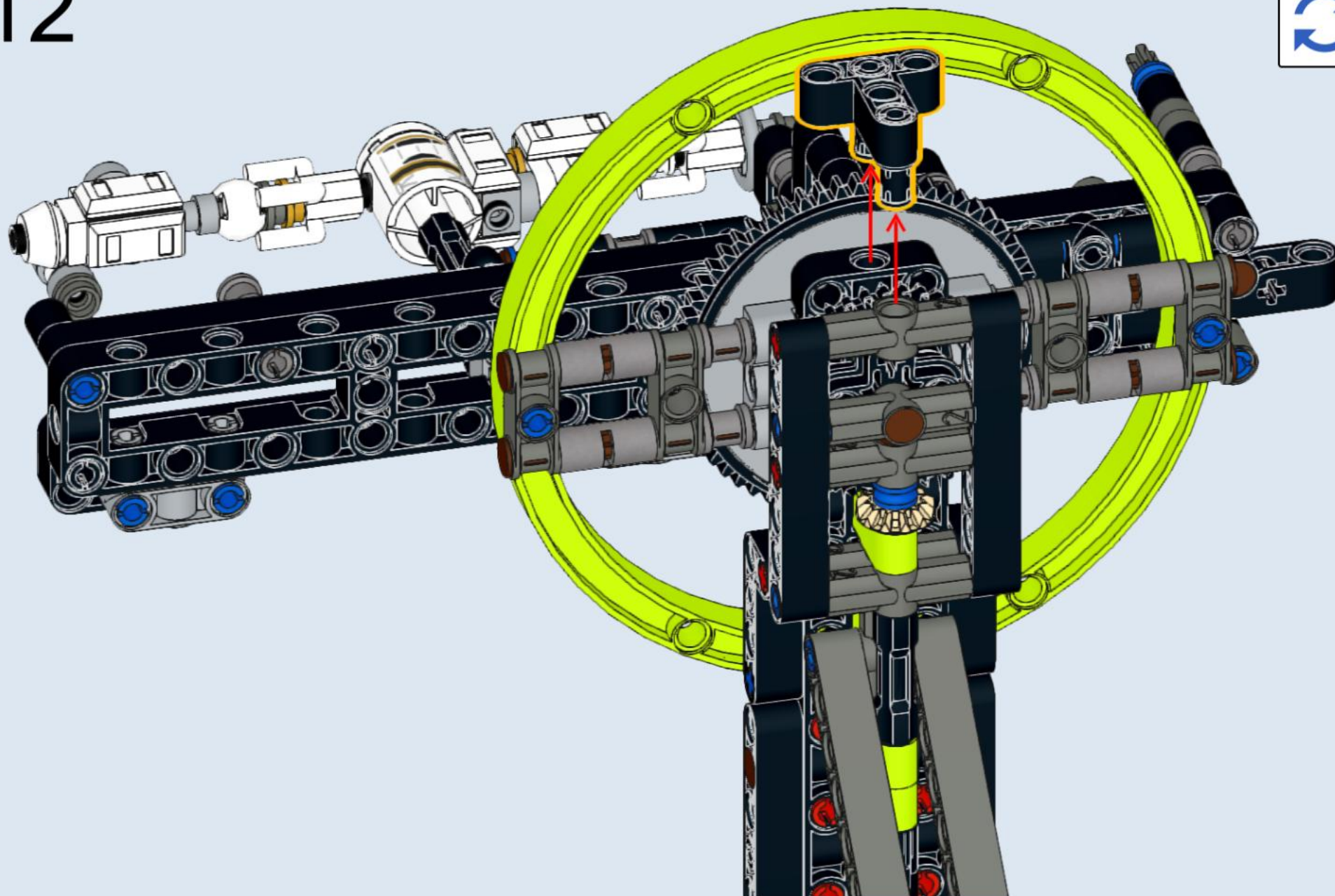


Turn in the direction of the arrow

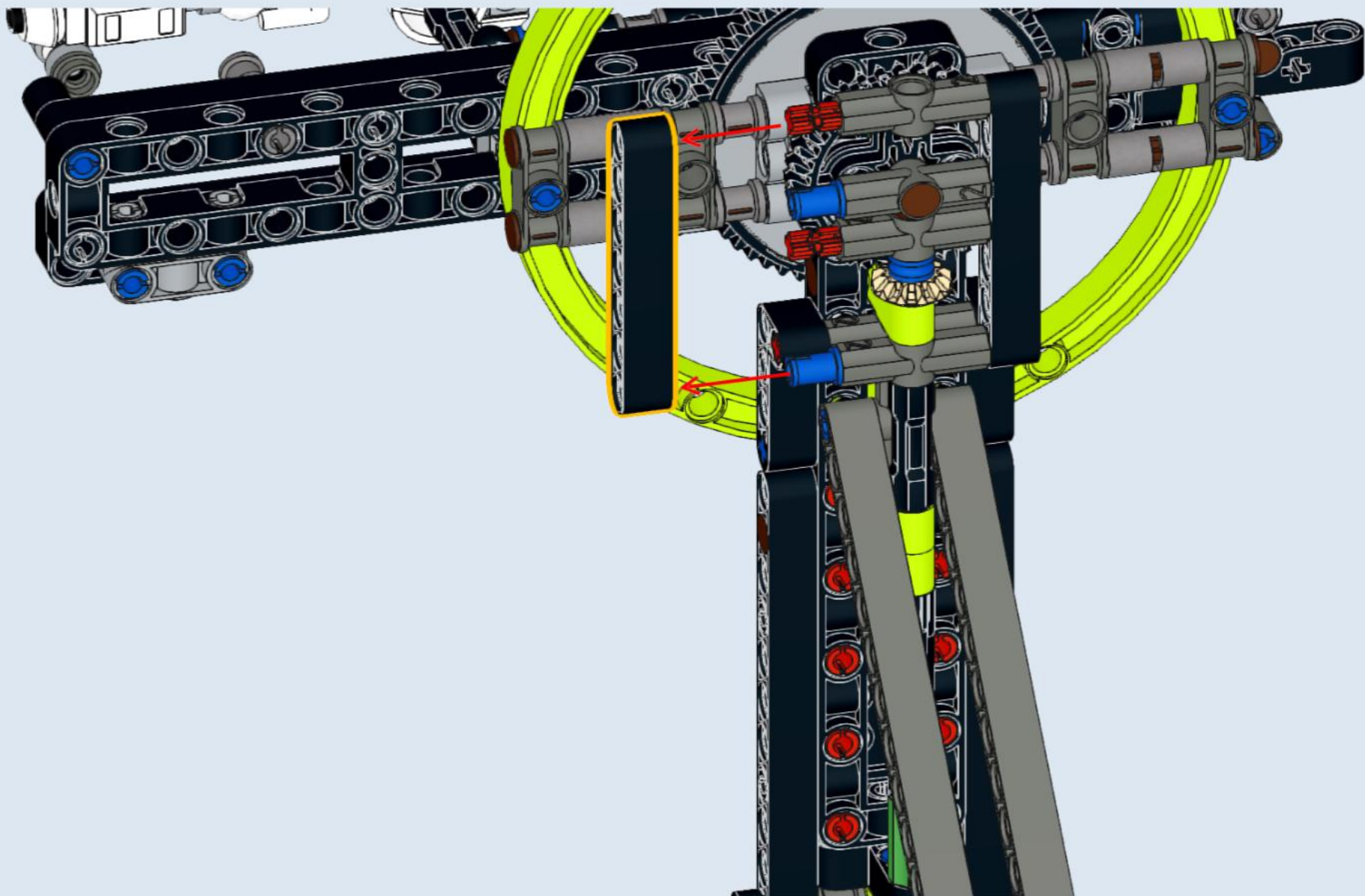
11



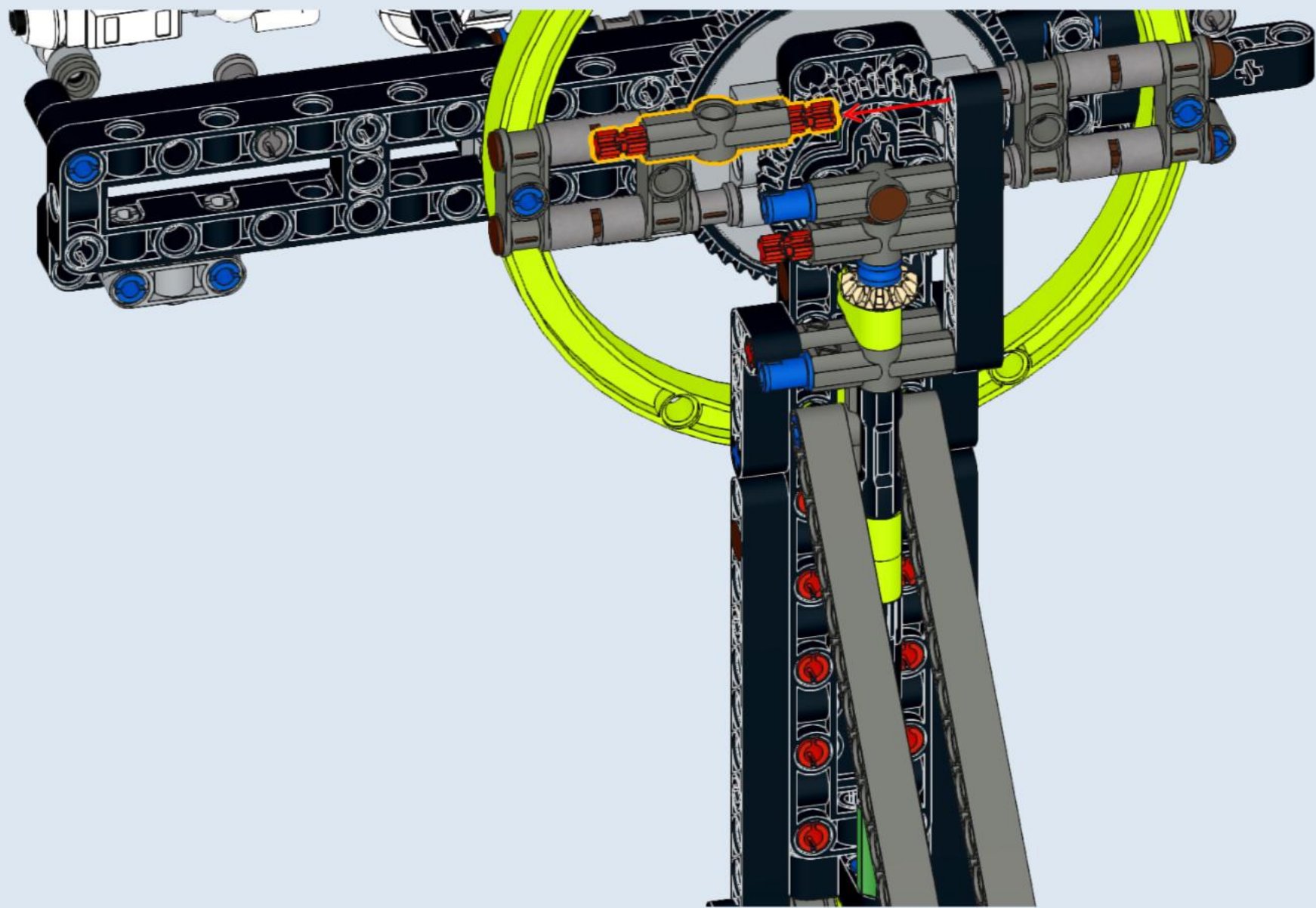
12



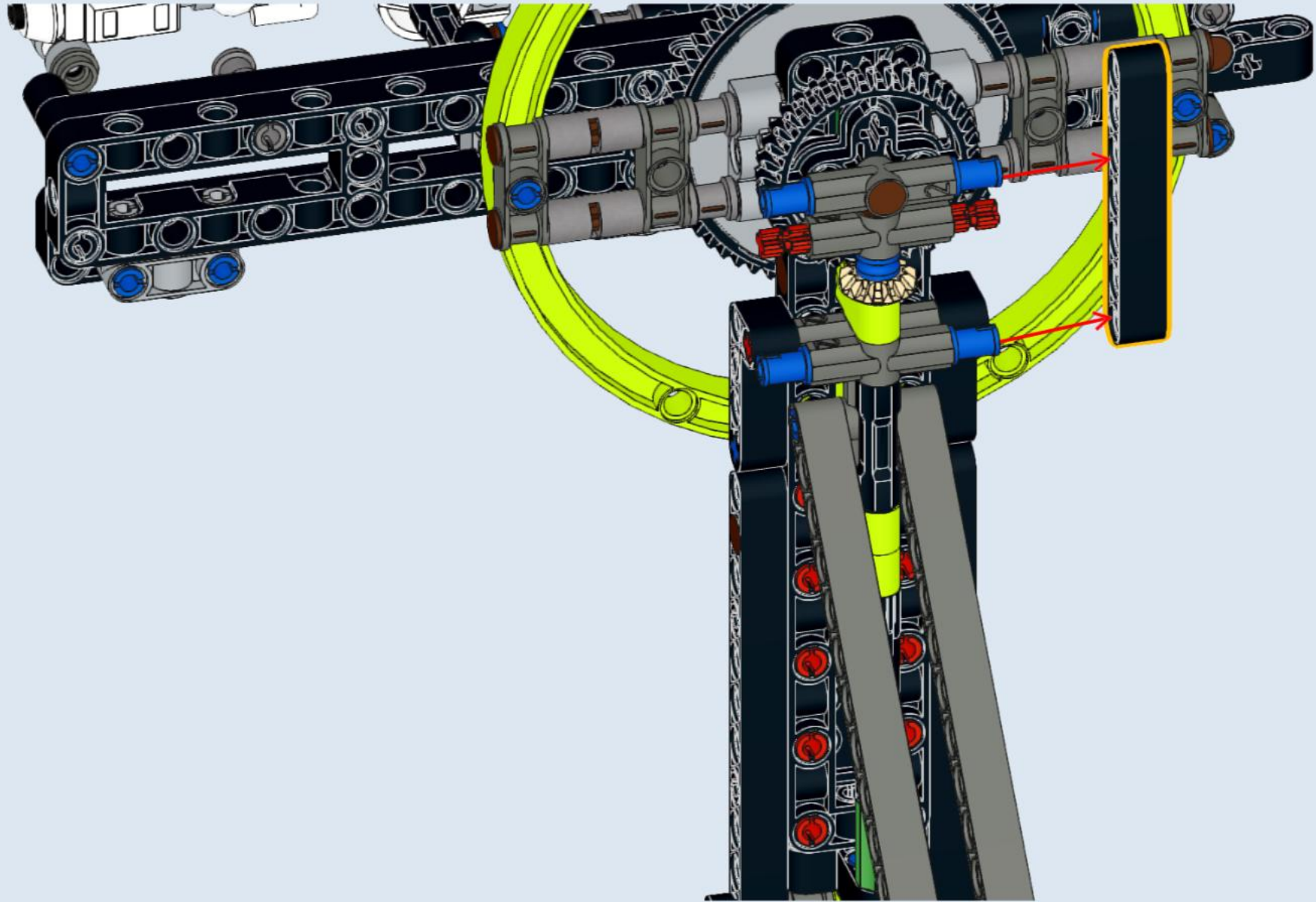
13



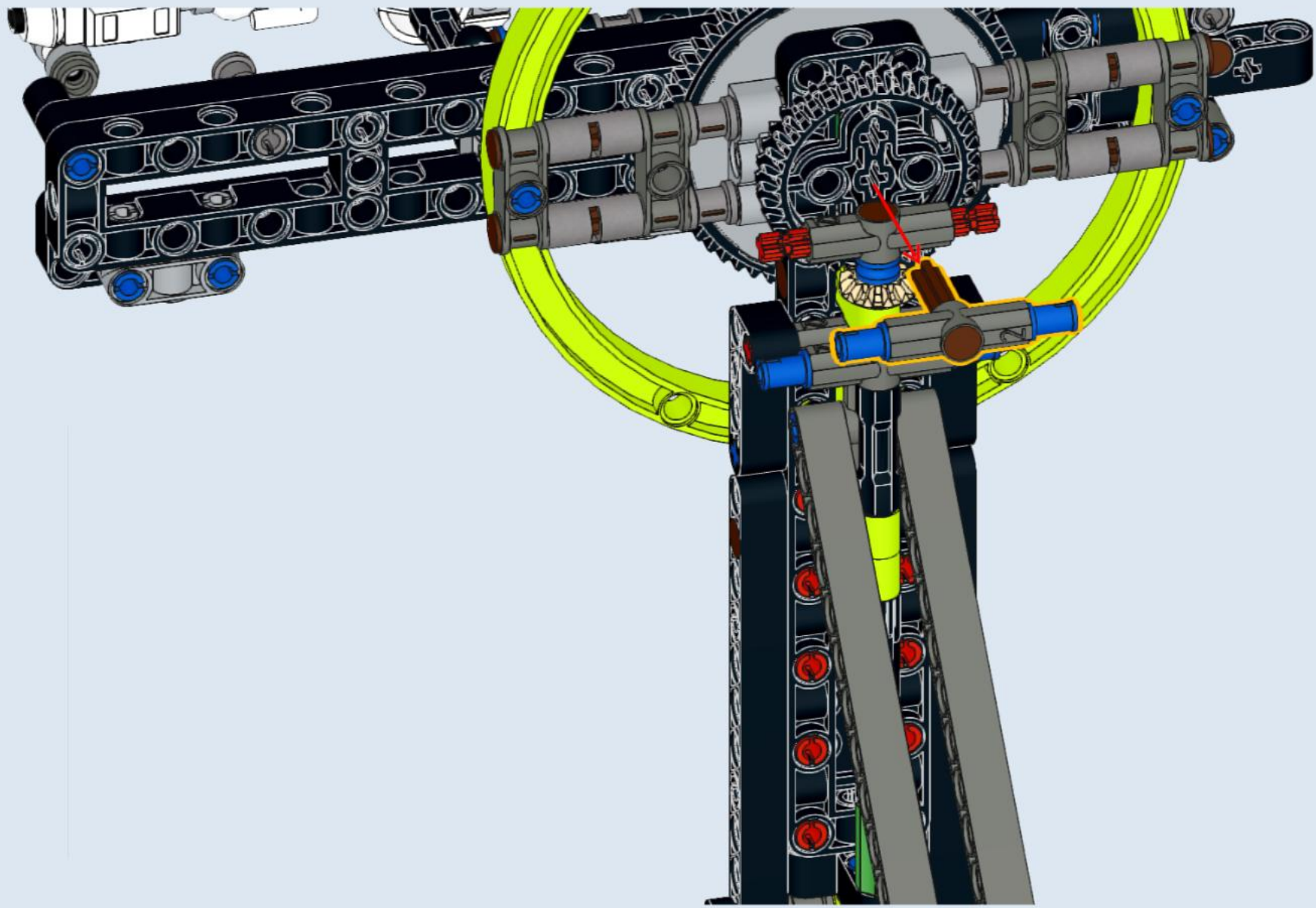
14



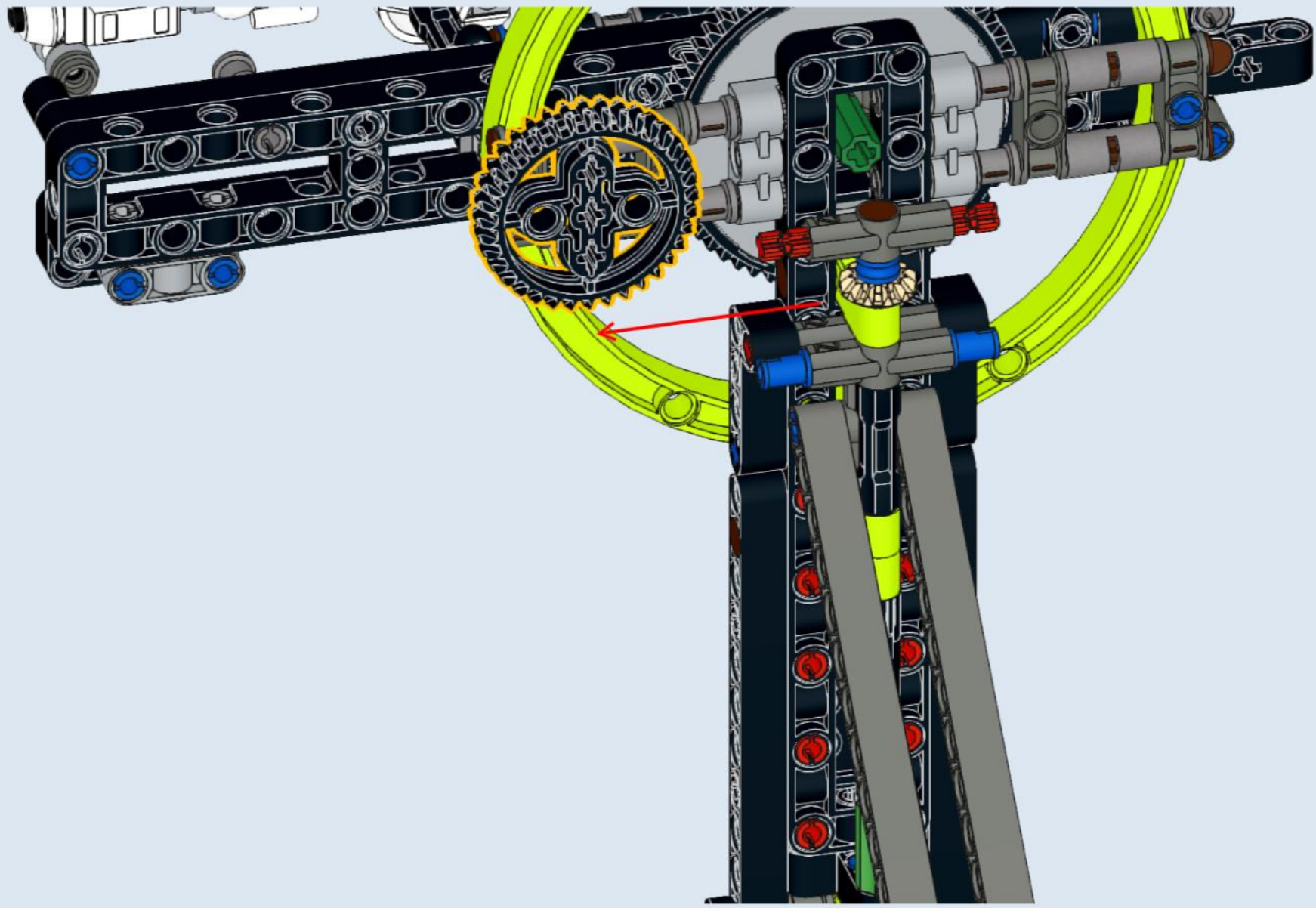
15



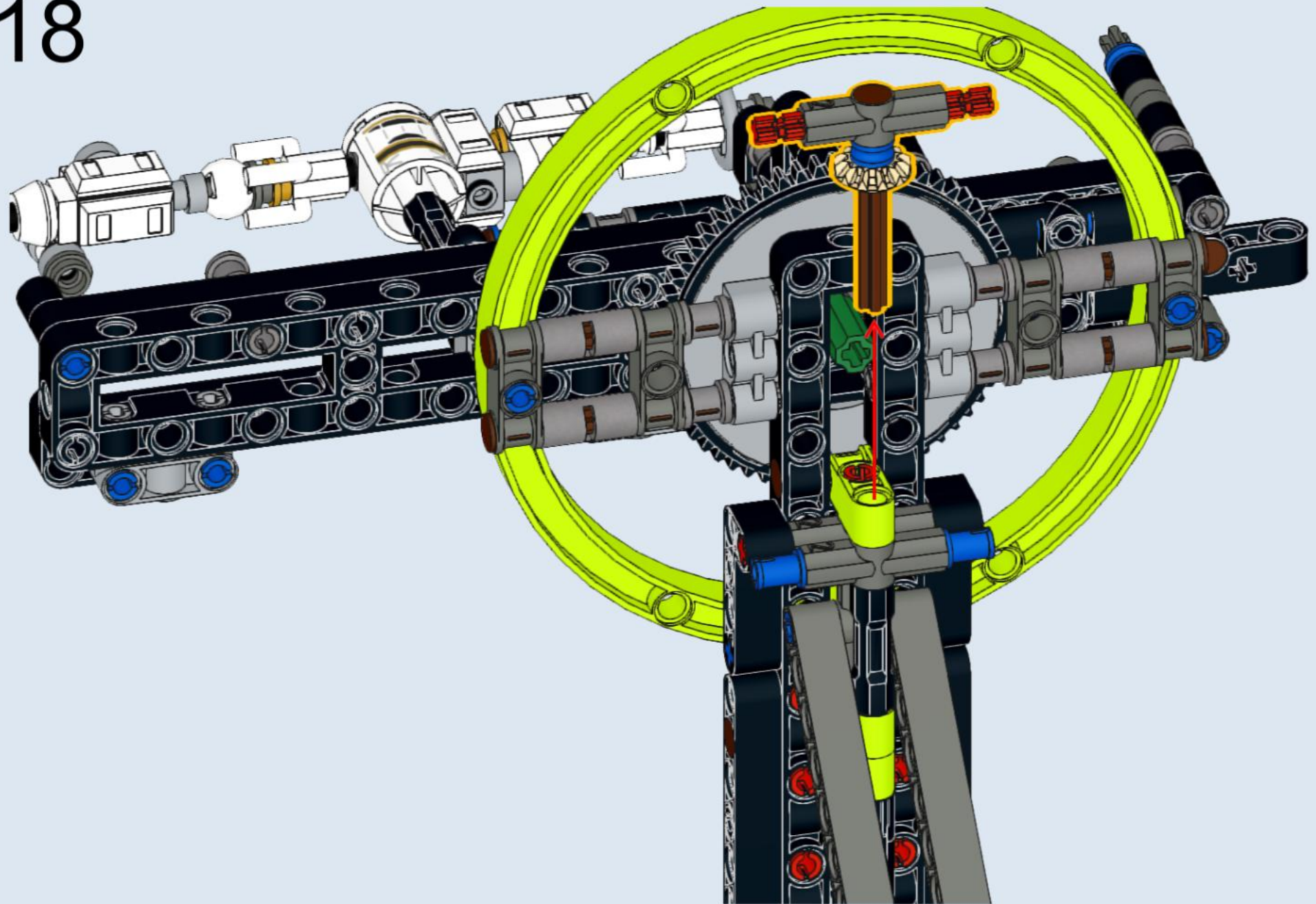
16



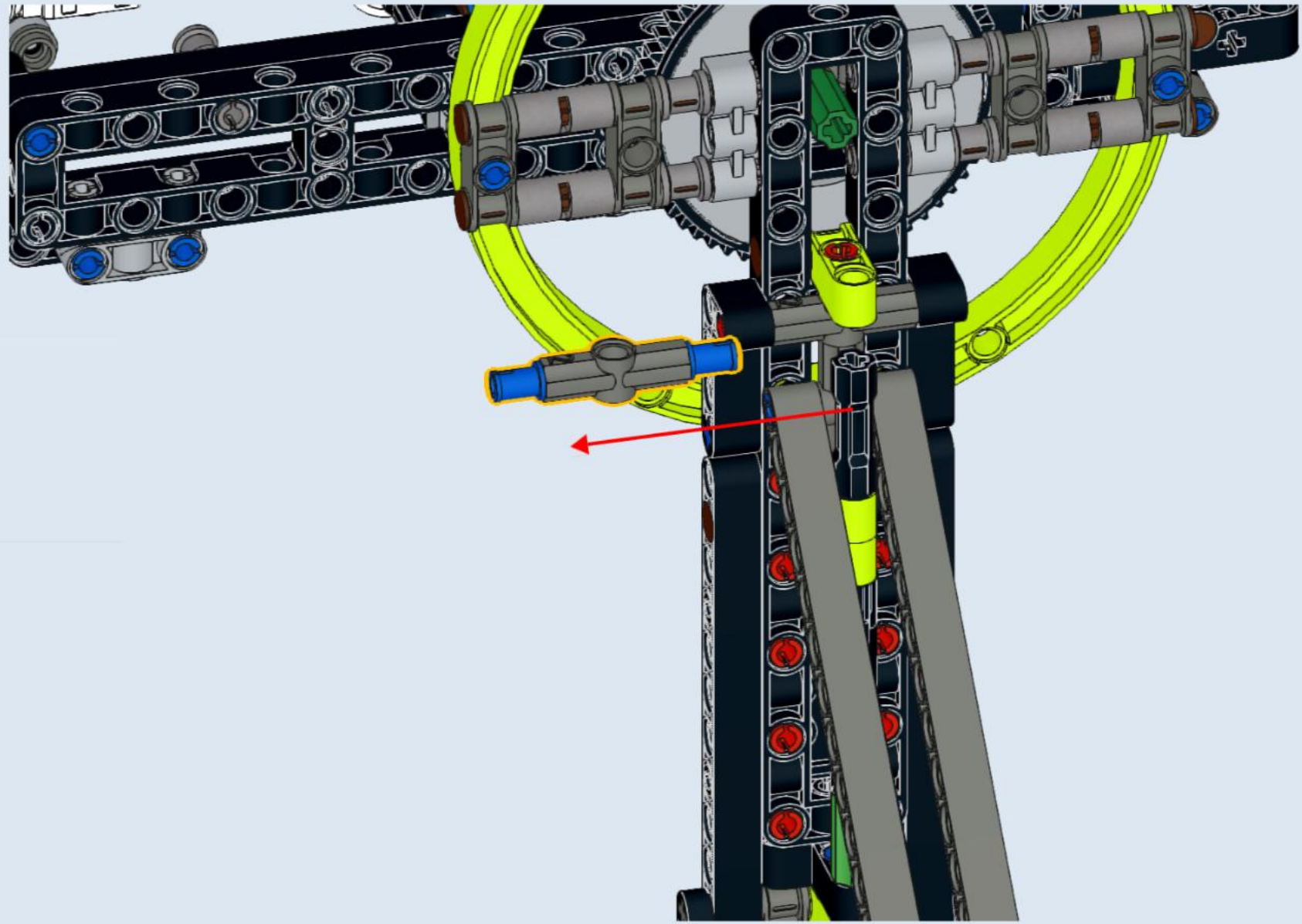
17



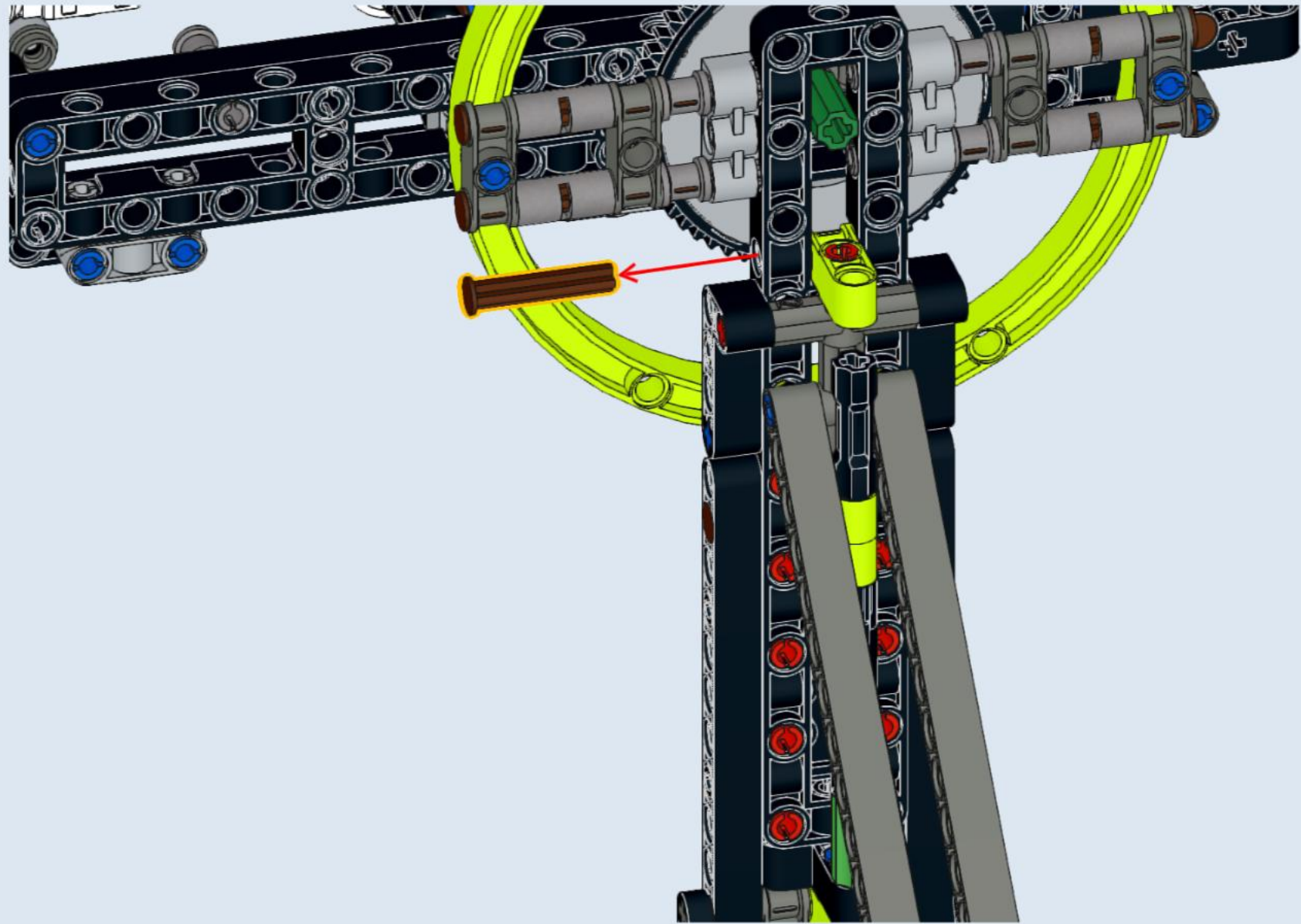
18



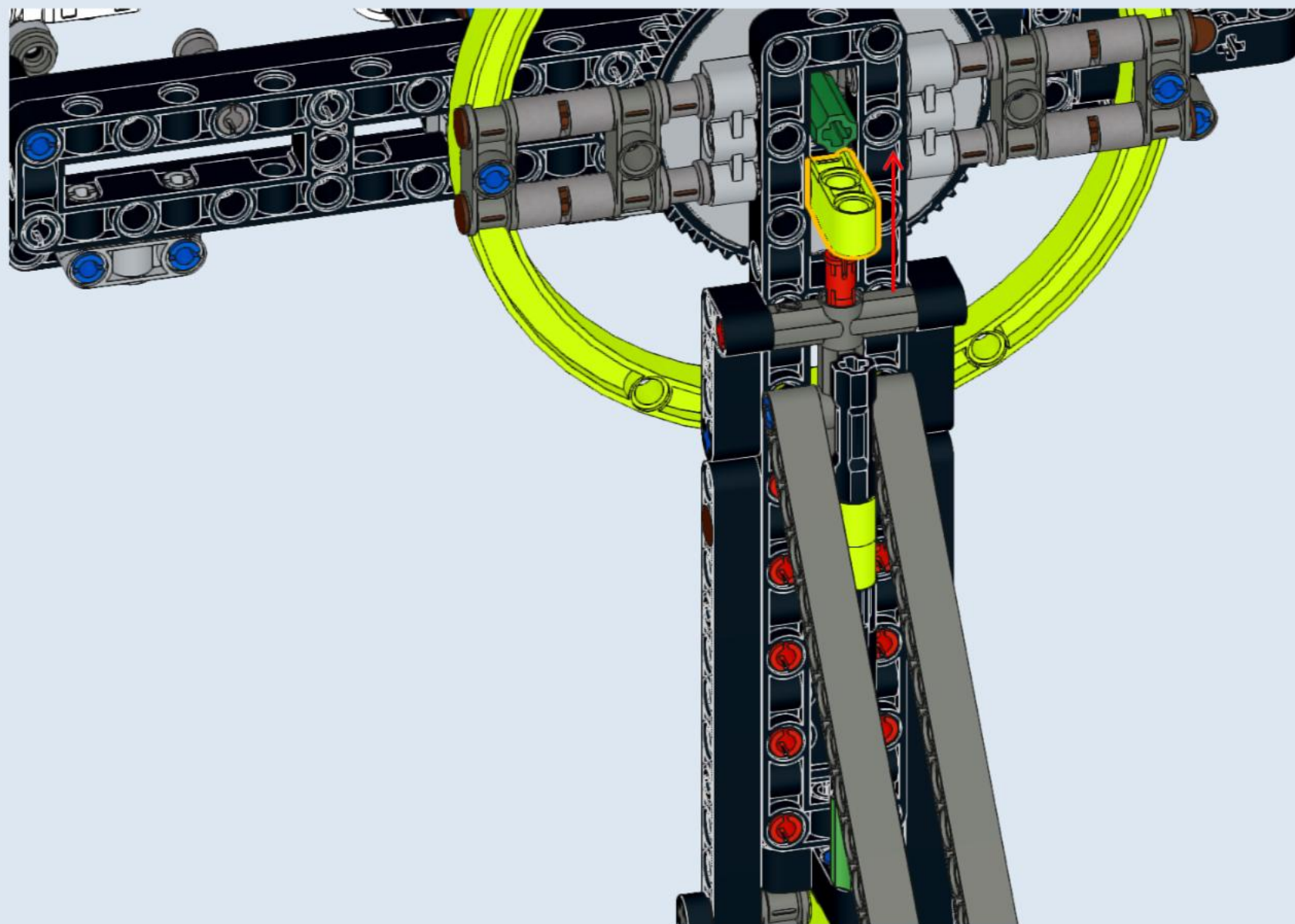
19



20

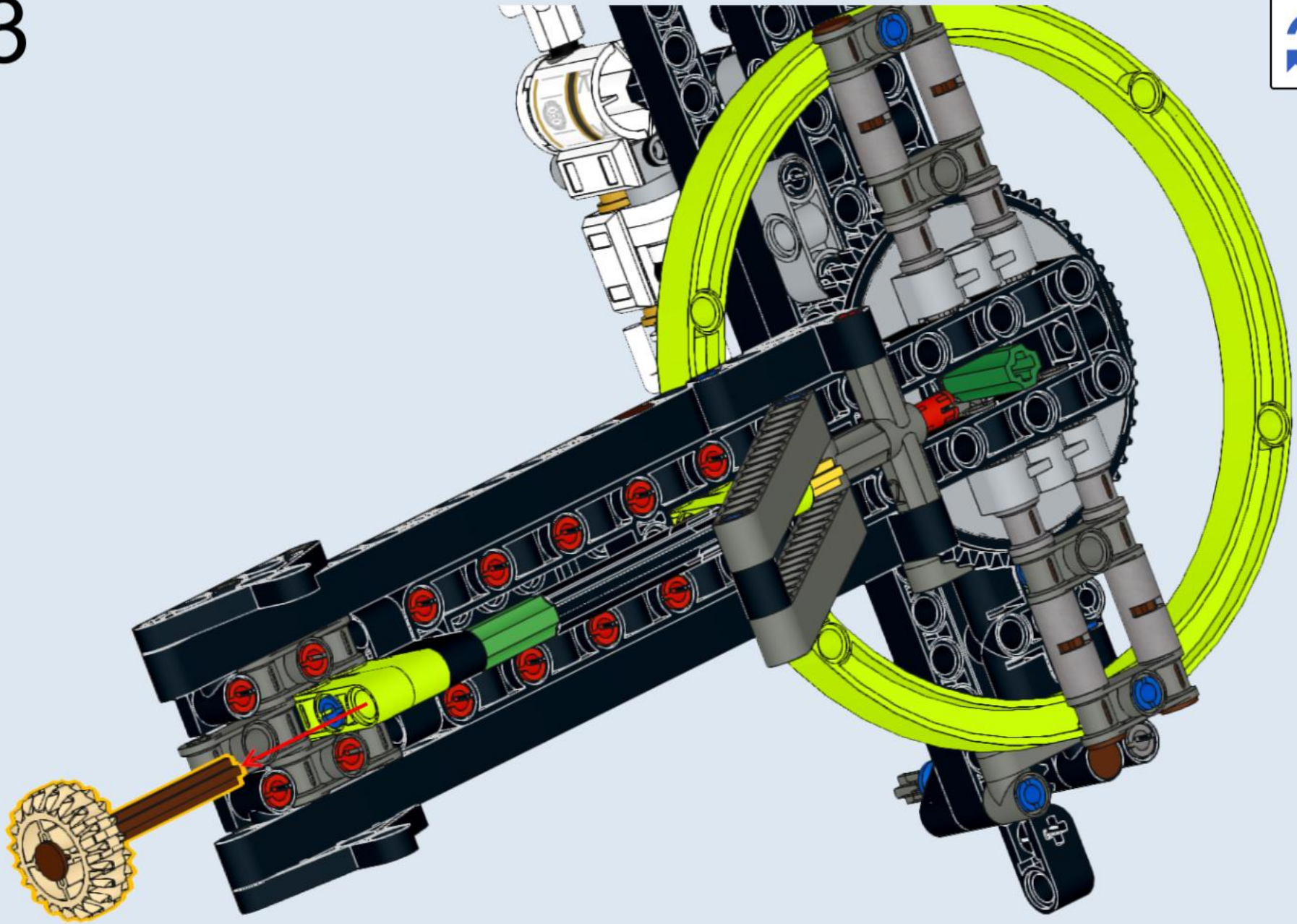


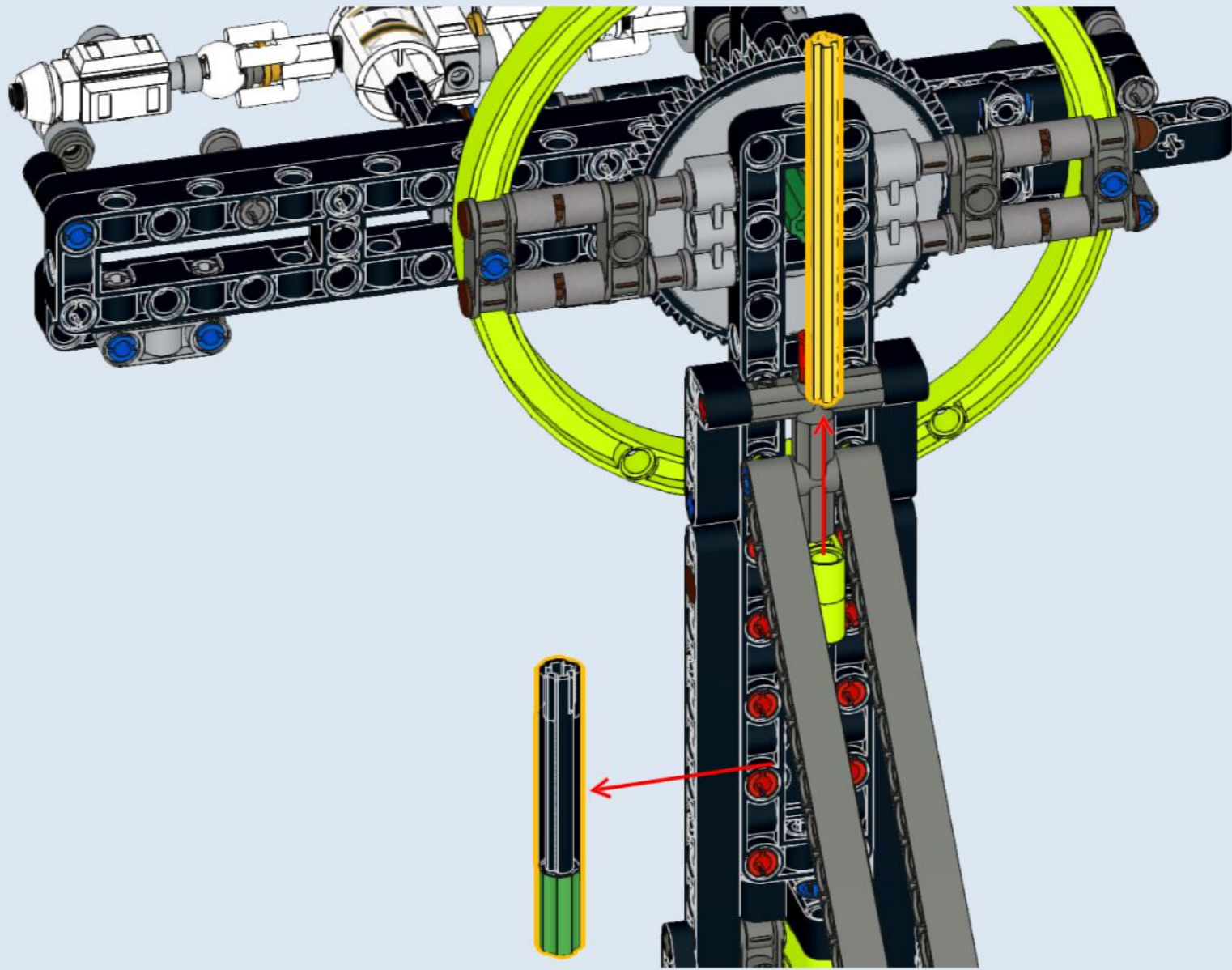
21



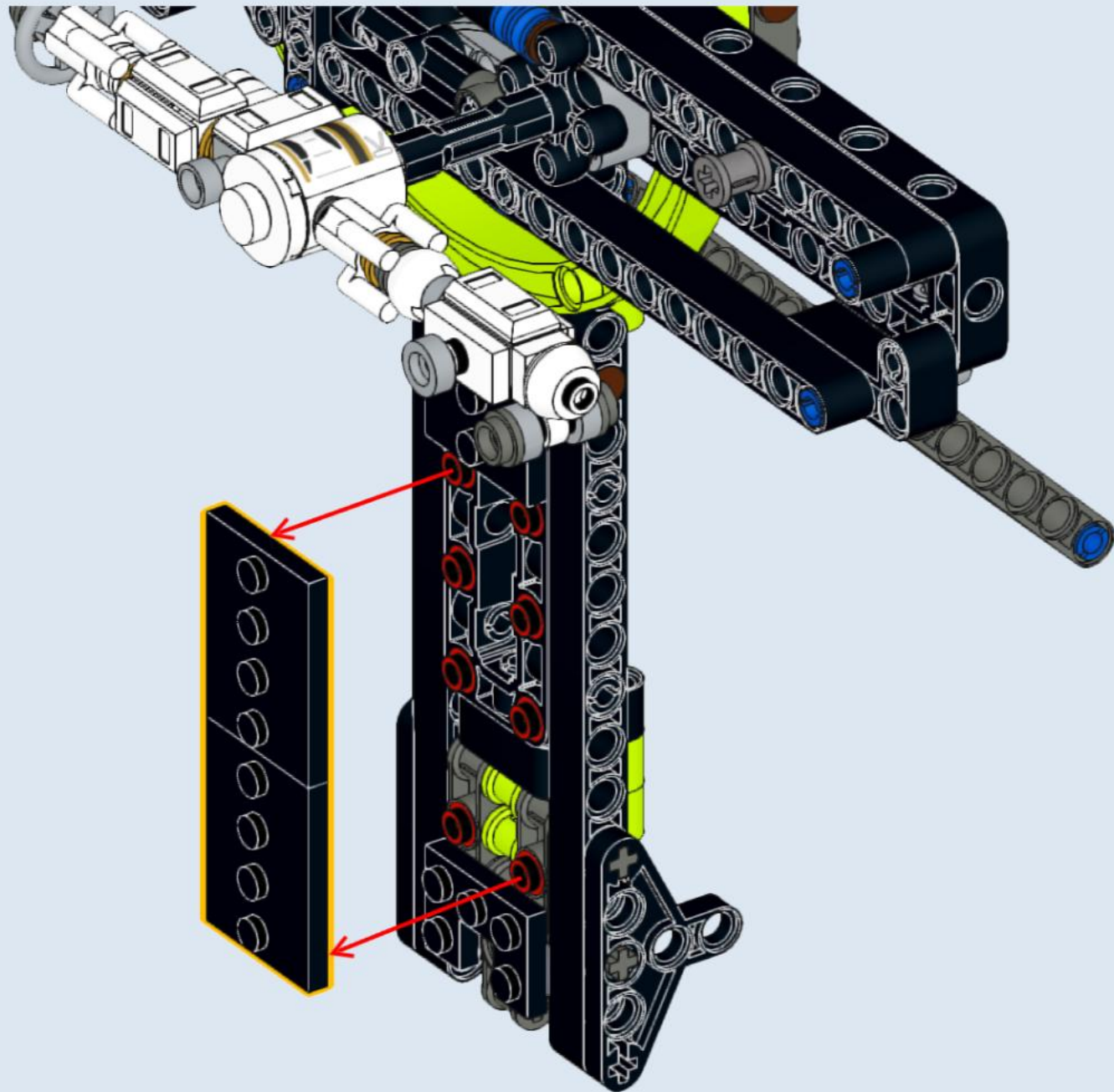


23

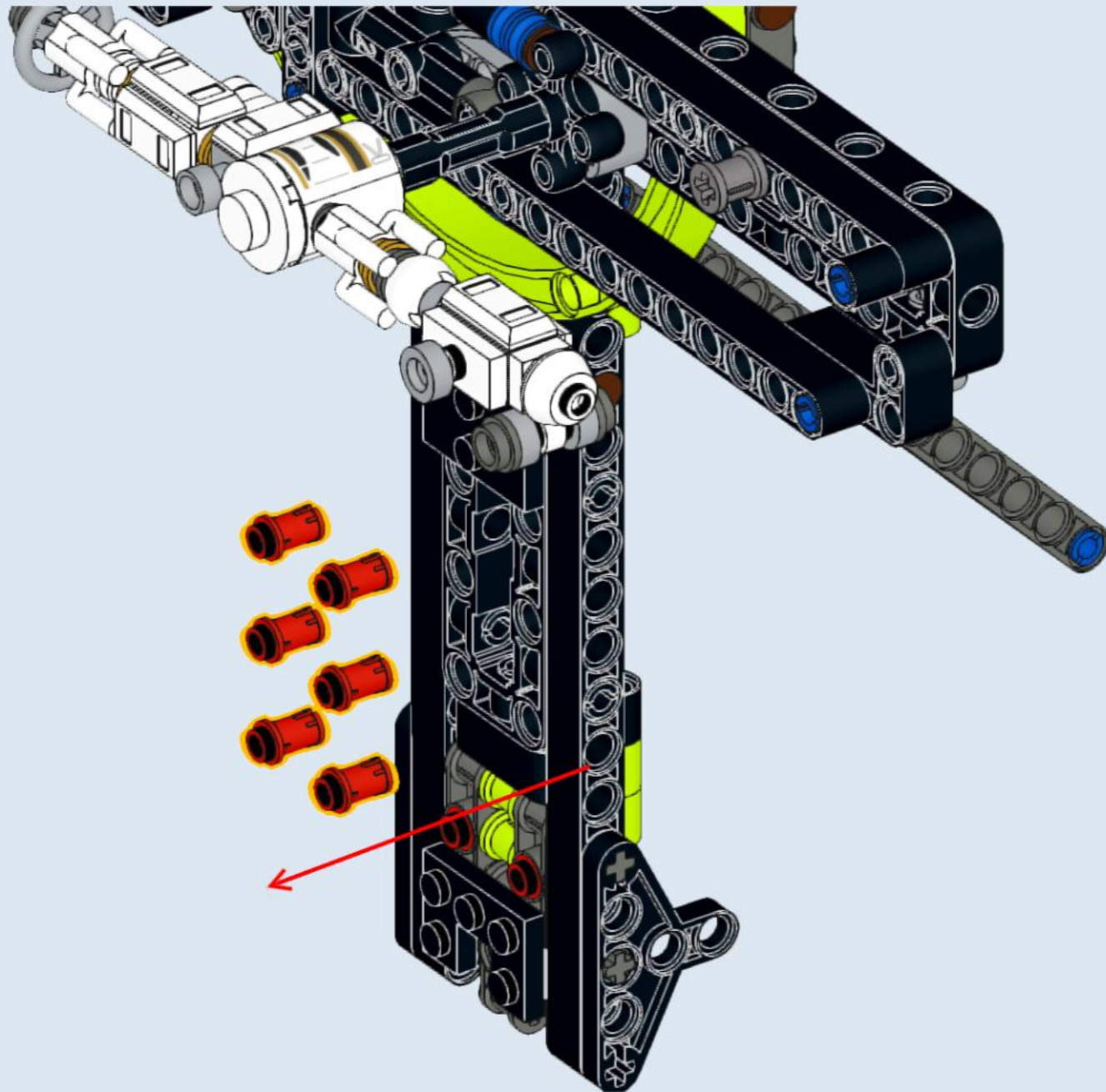




25



26



## Section 4 – Start Building

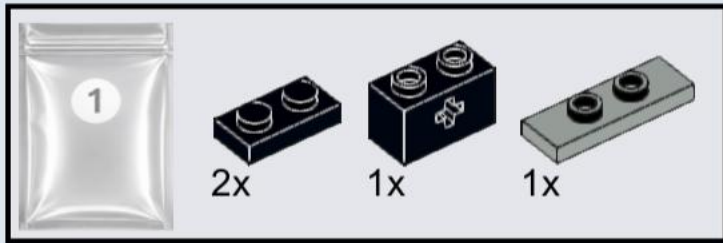
Take out the parts and start building



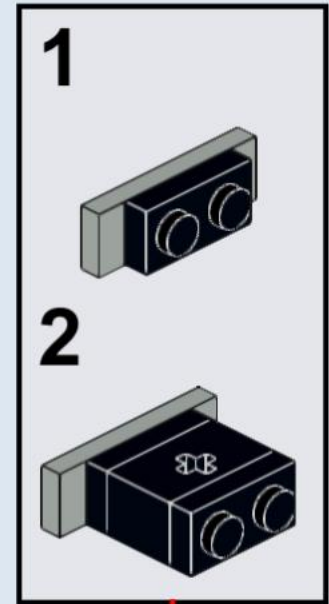
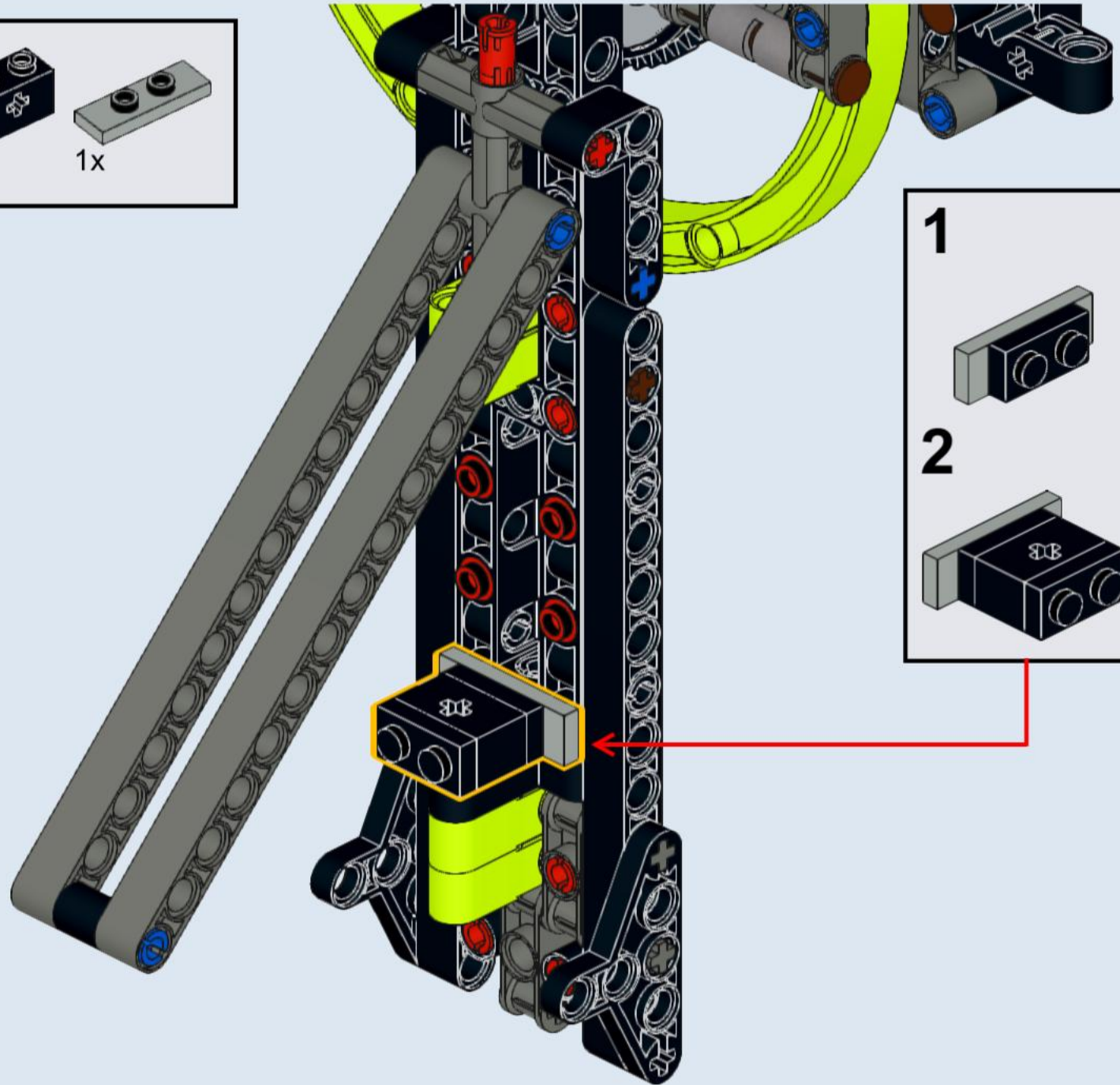
Original parts  
6x

1





2



Original parts

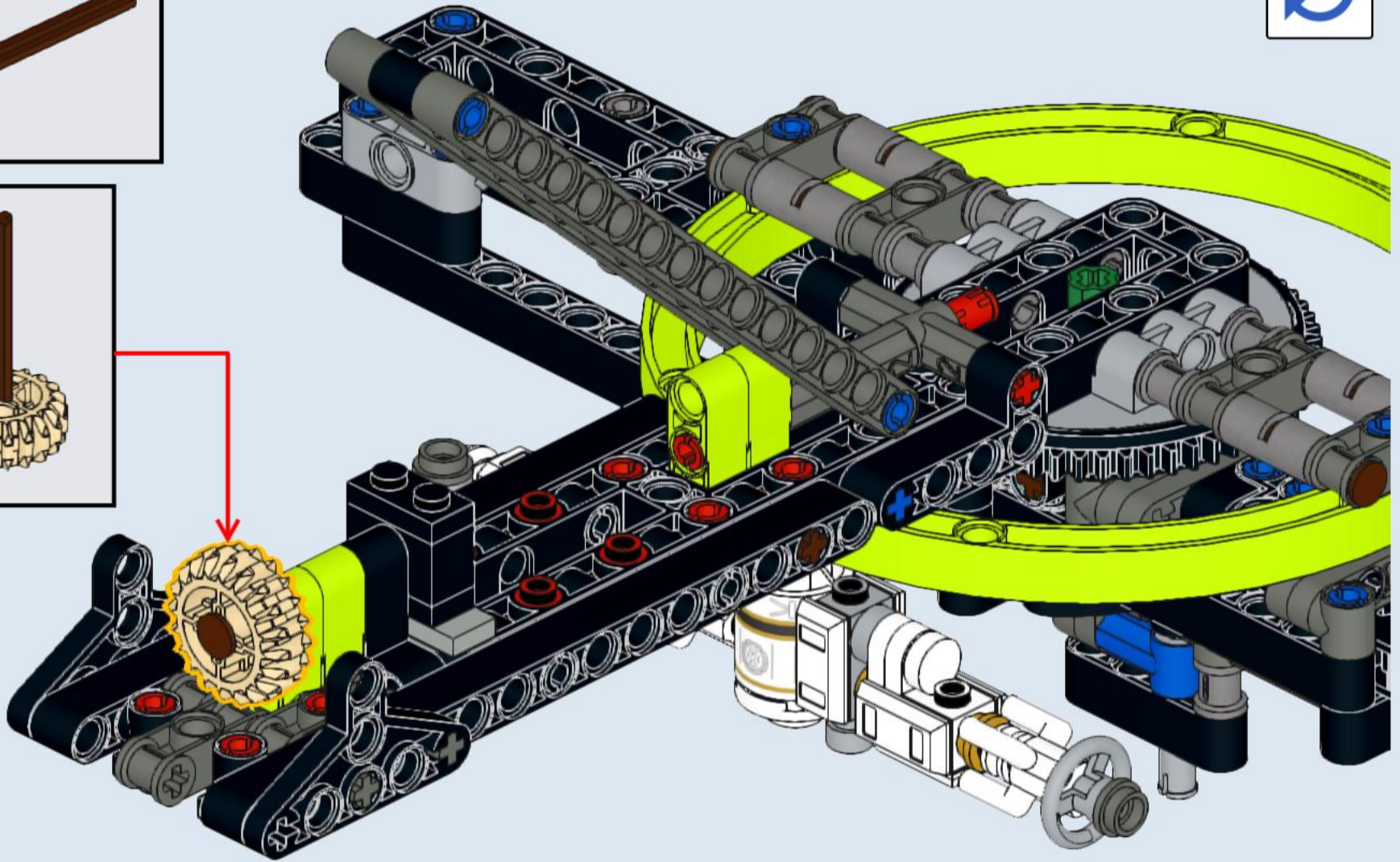
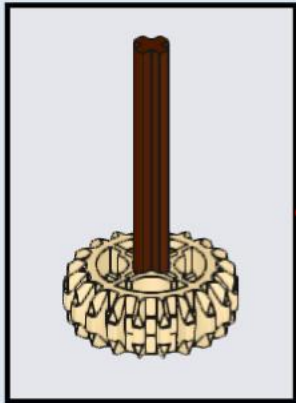


1x



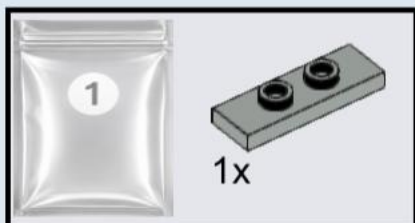
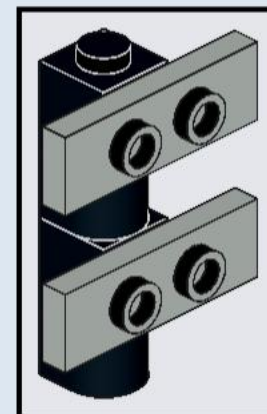
1x

3

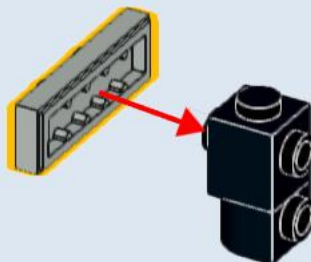




4

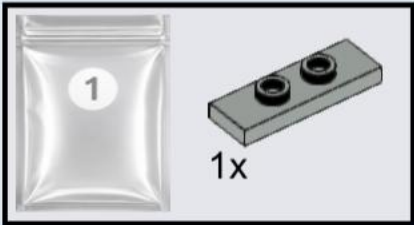
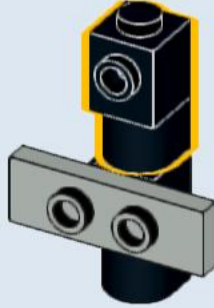


5

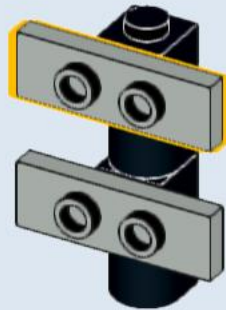




6



7

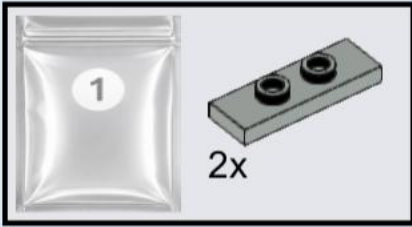




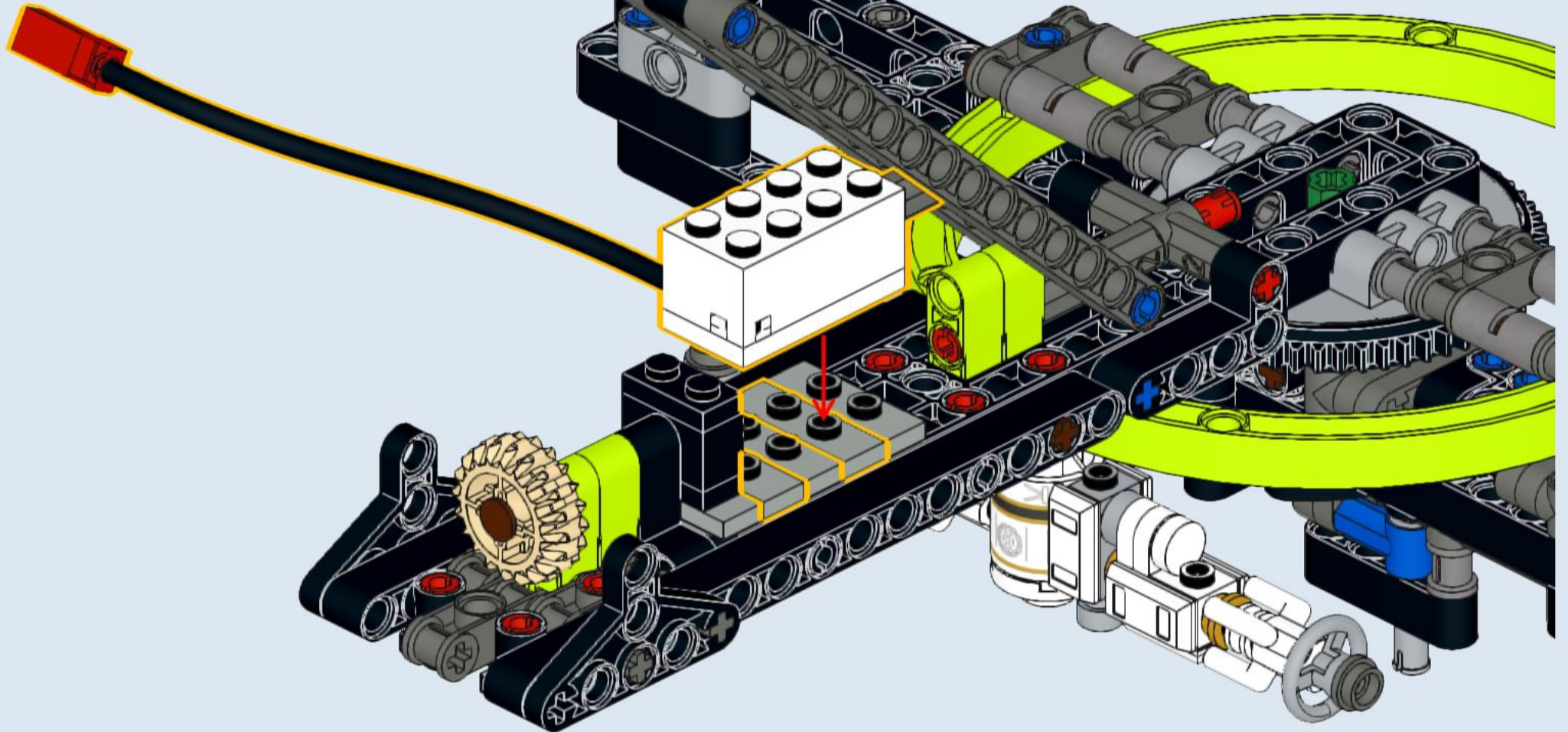
8

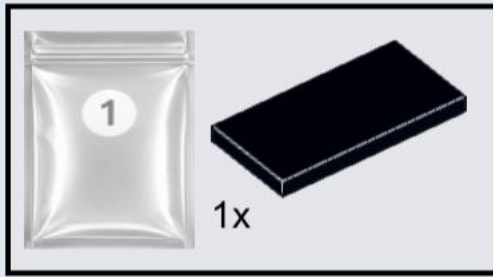
Take out the motor



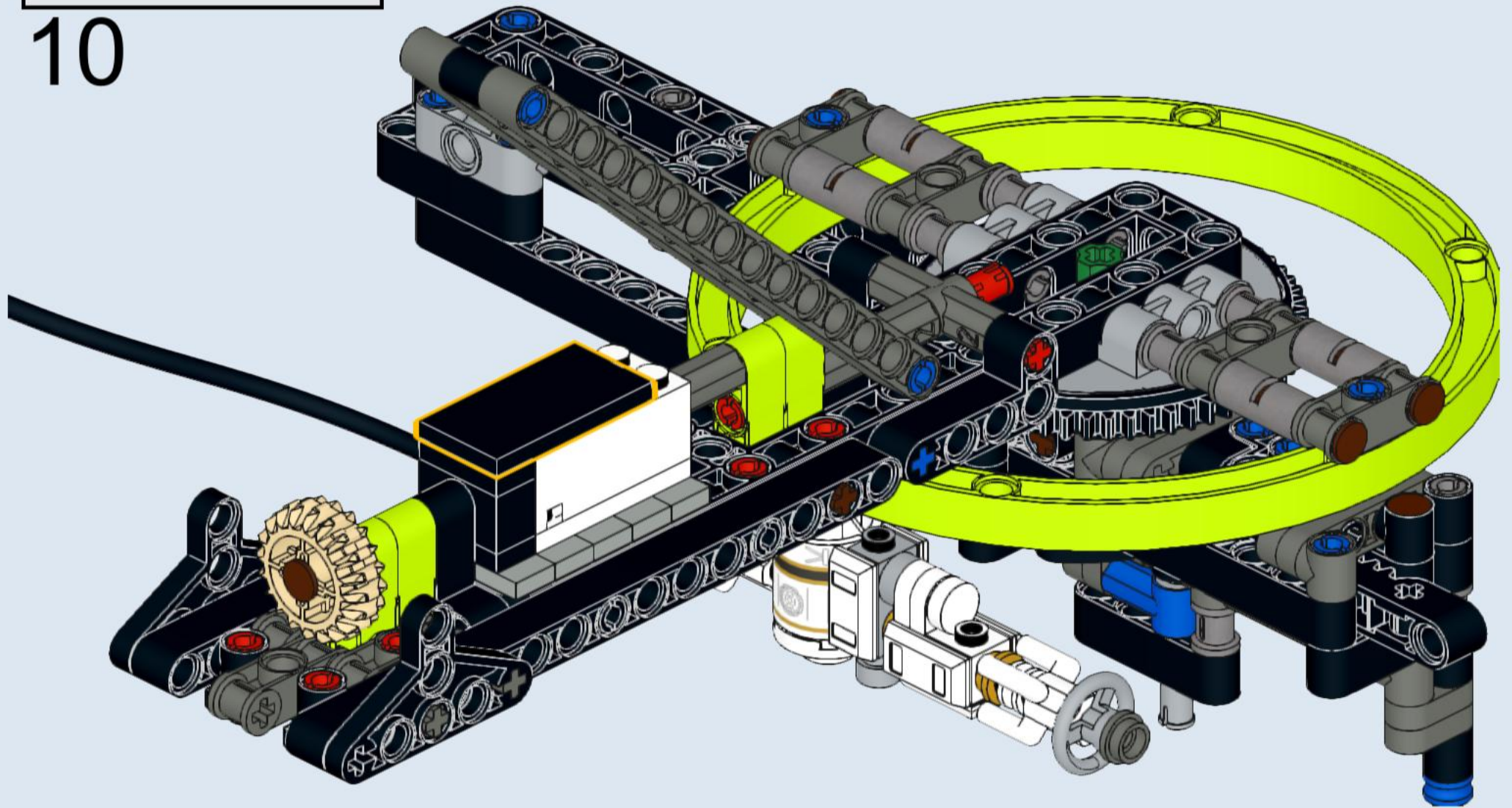


9

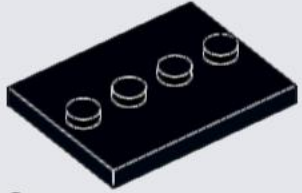




10

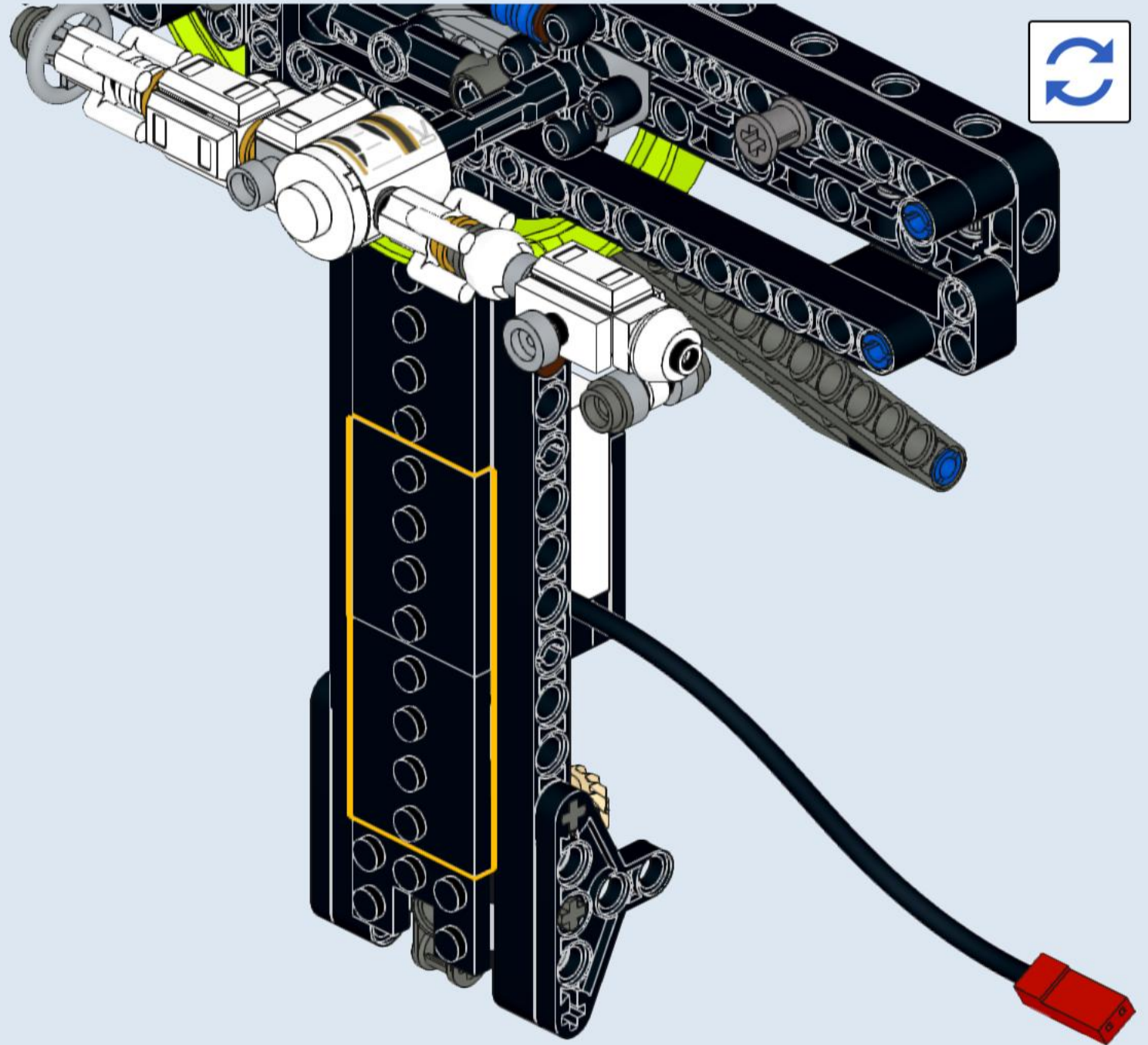


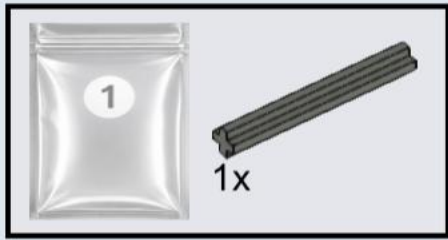
Original parts



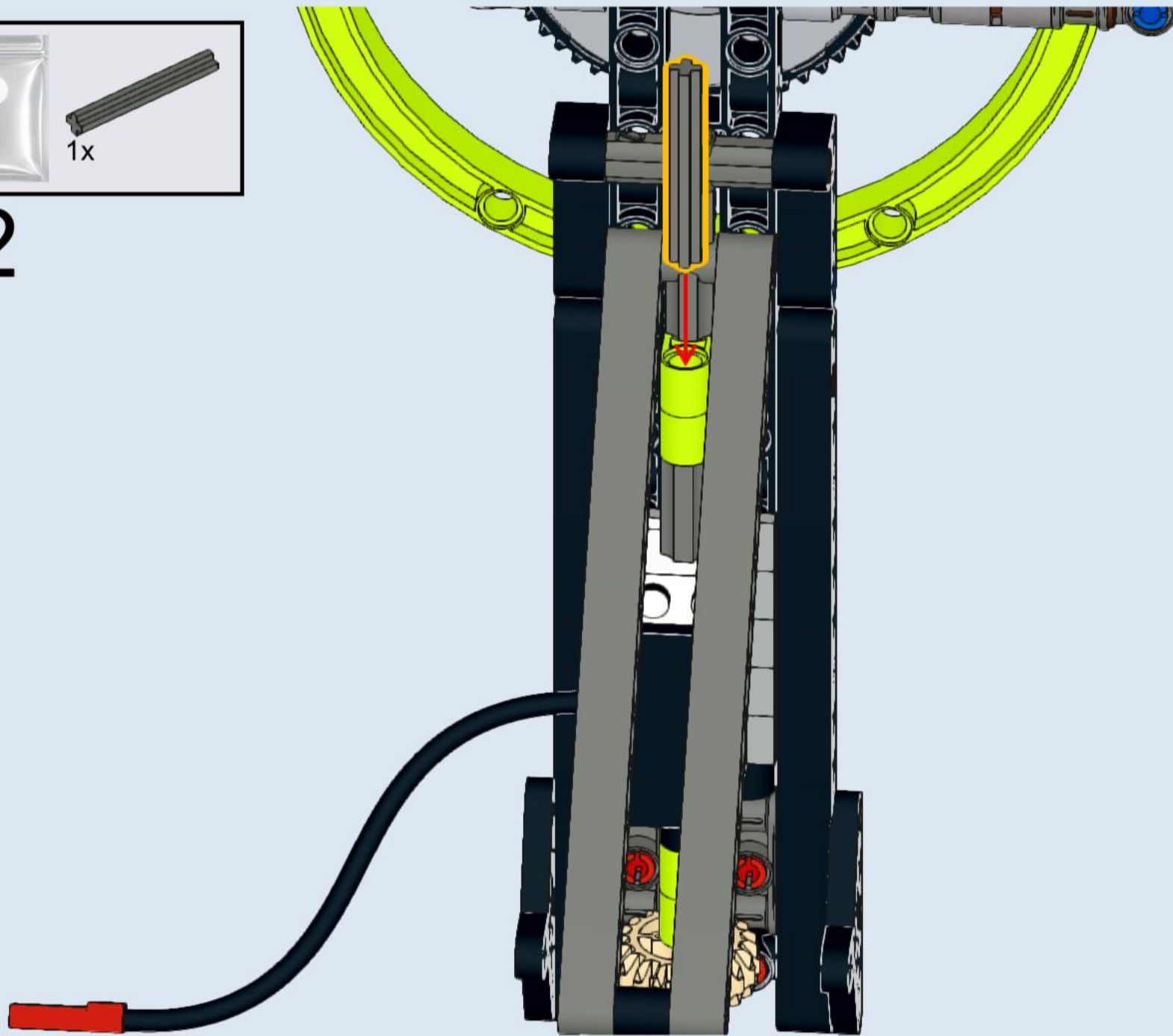
2x

11





12

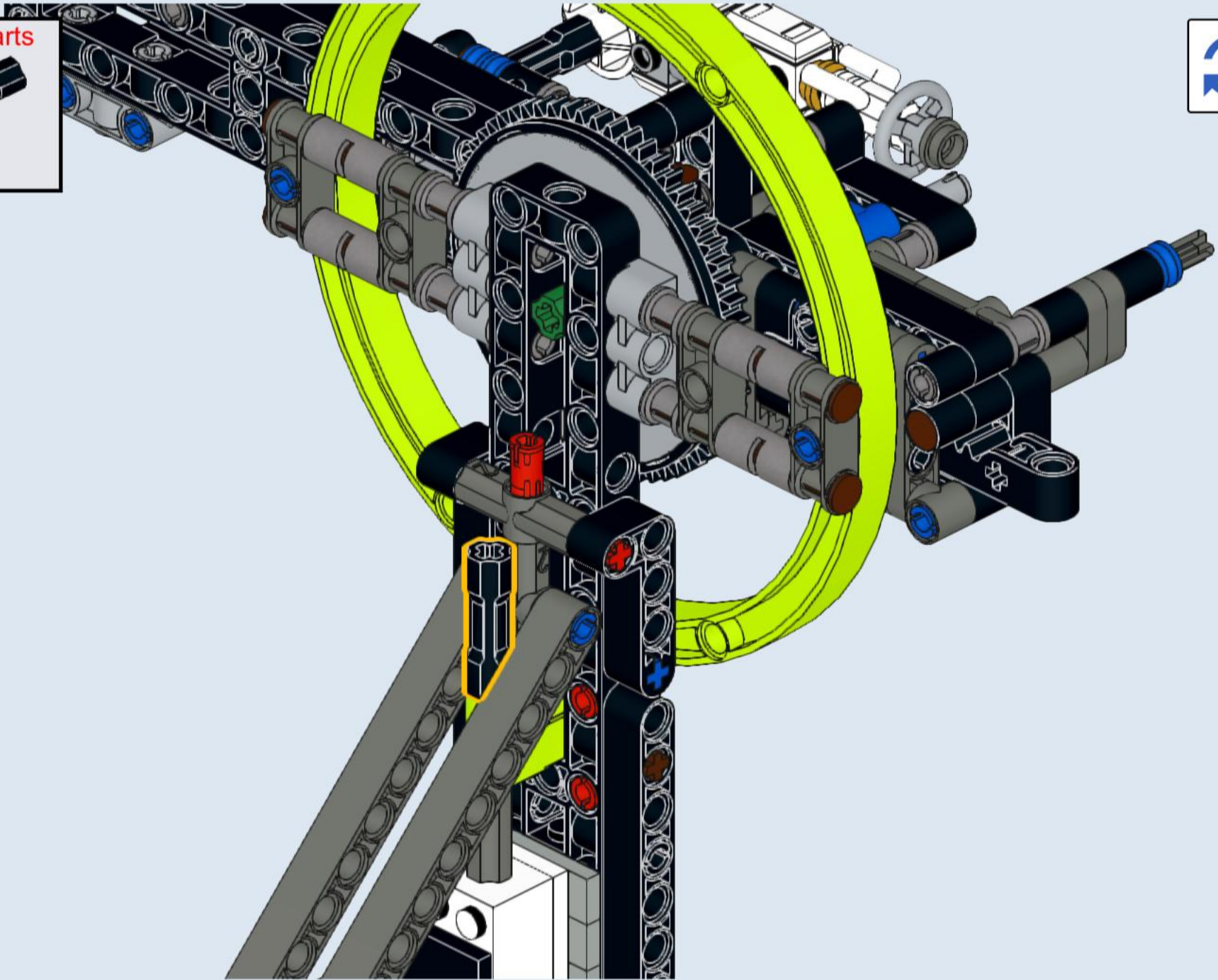


Original parts

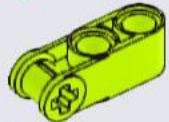


1x

13

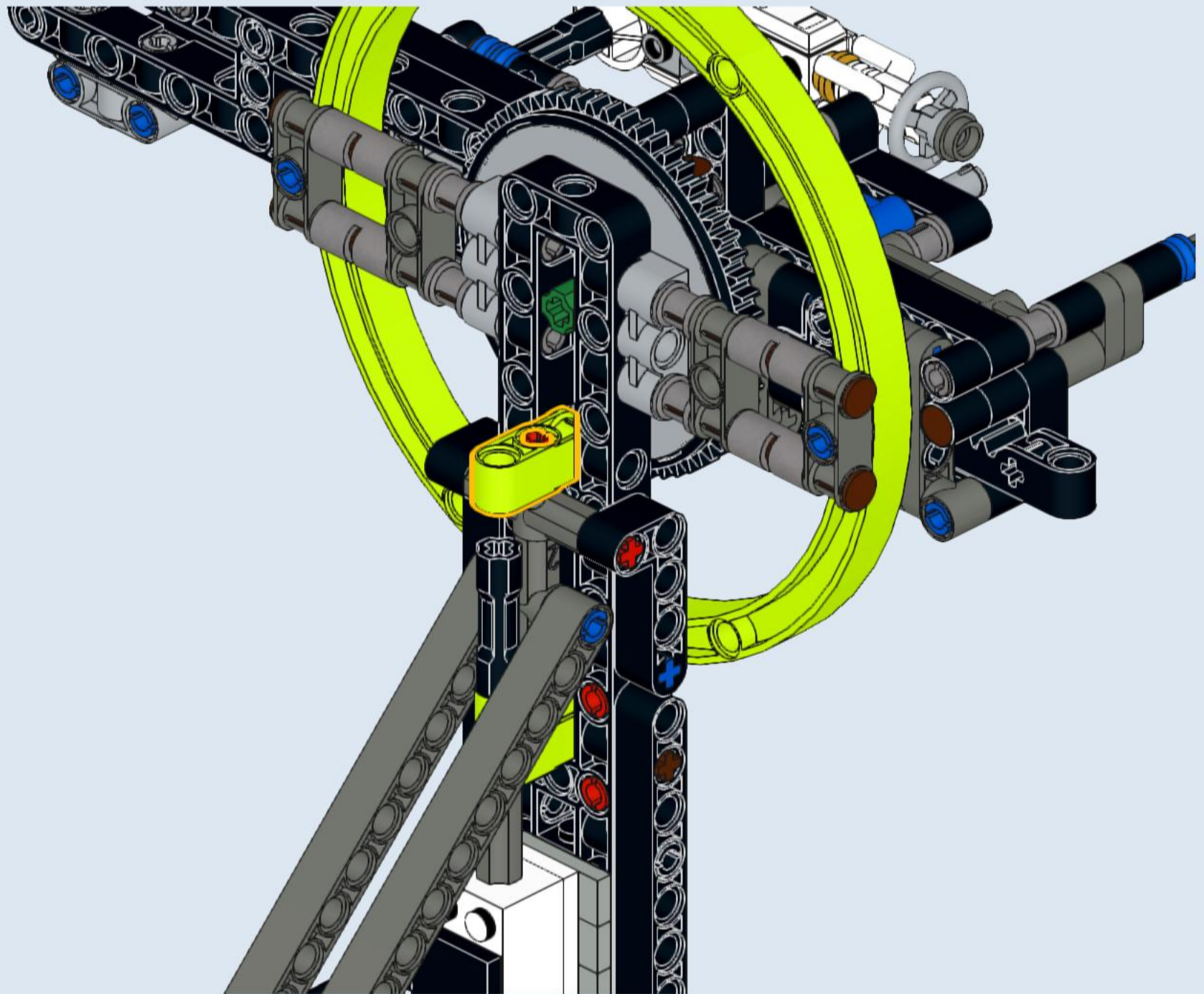


Original parts



1x

14

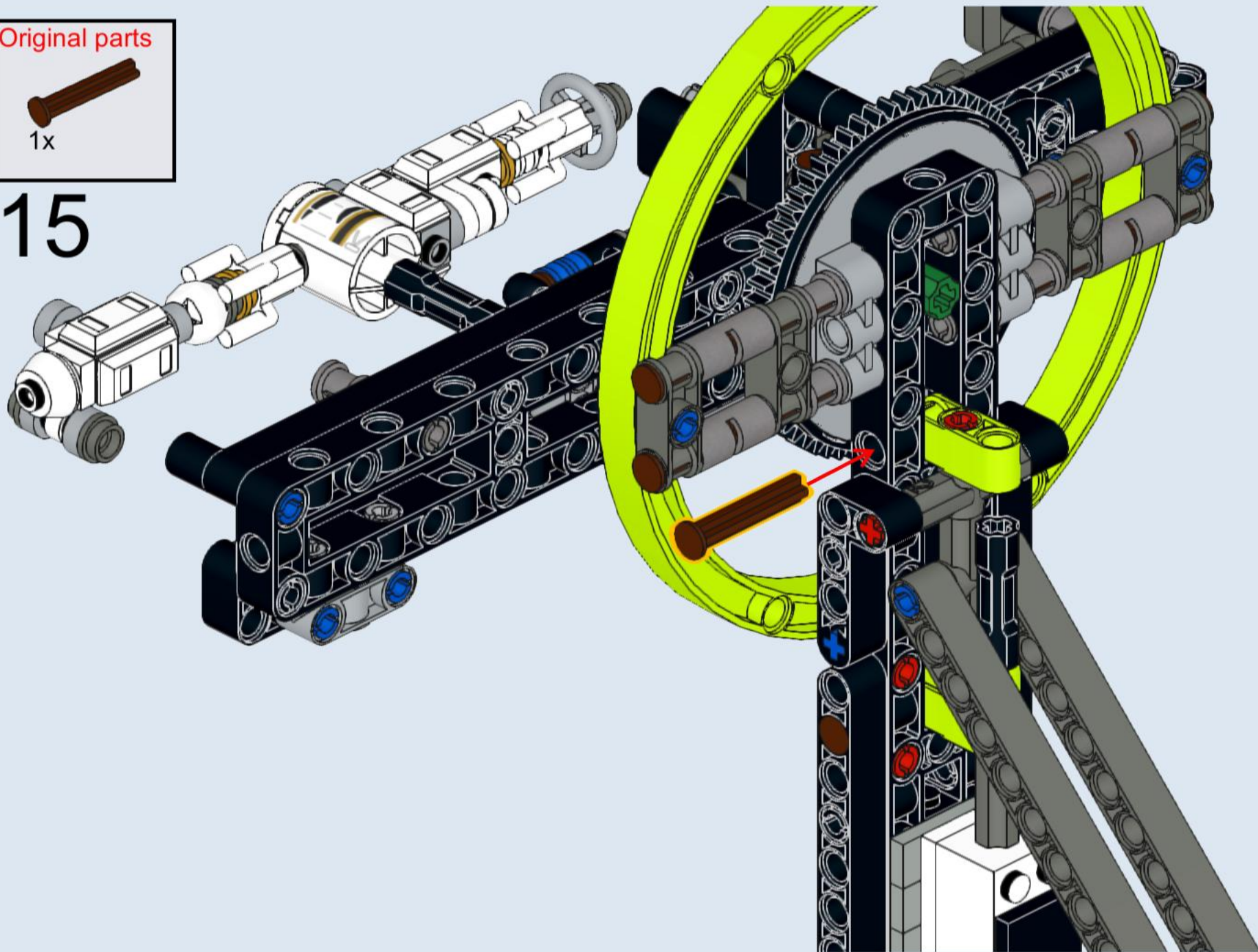


Original parts



1x

15



Original parts



1x



2x



1x



2x

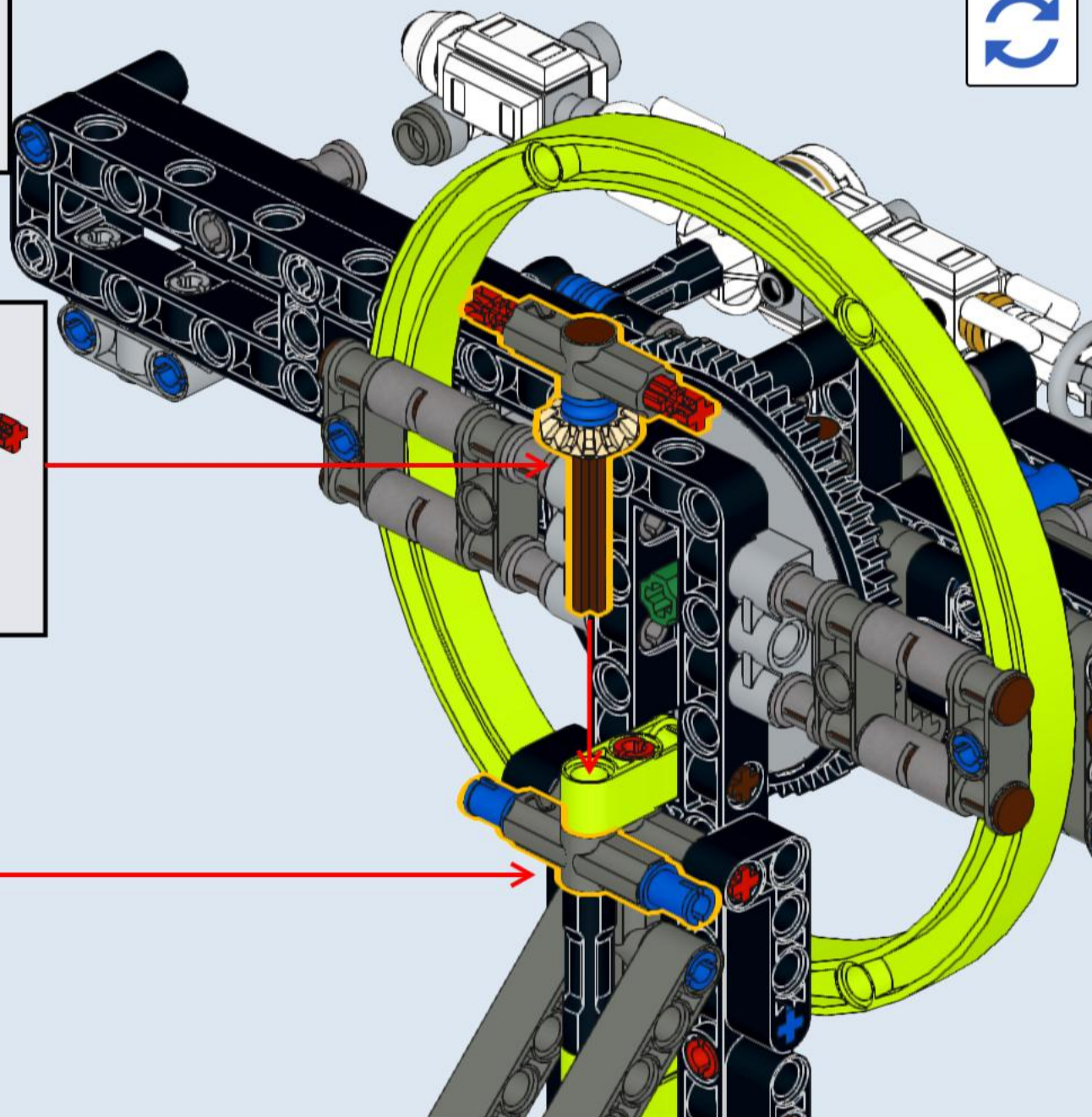
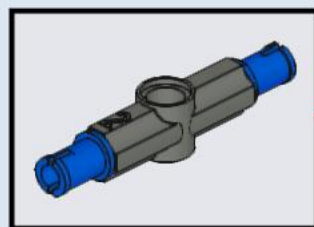
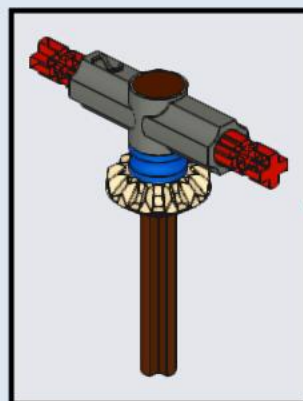


2x



1x

16

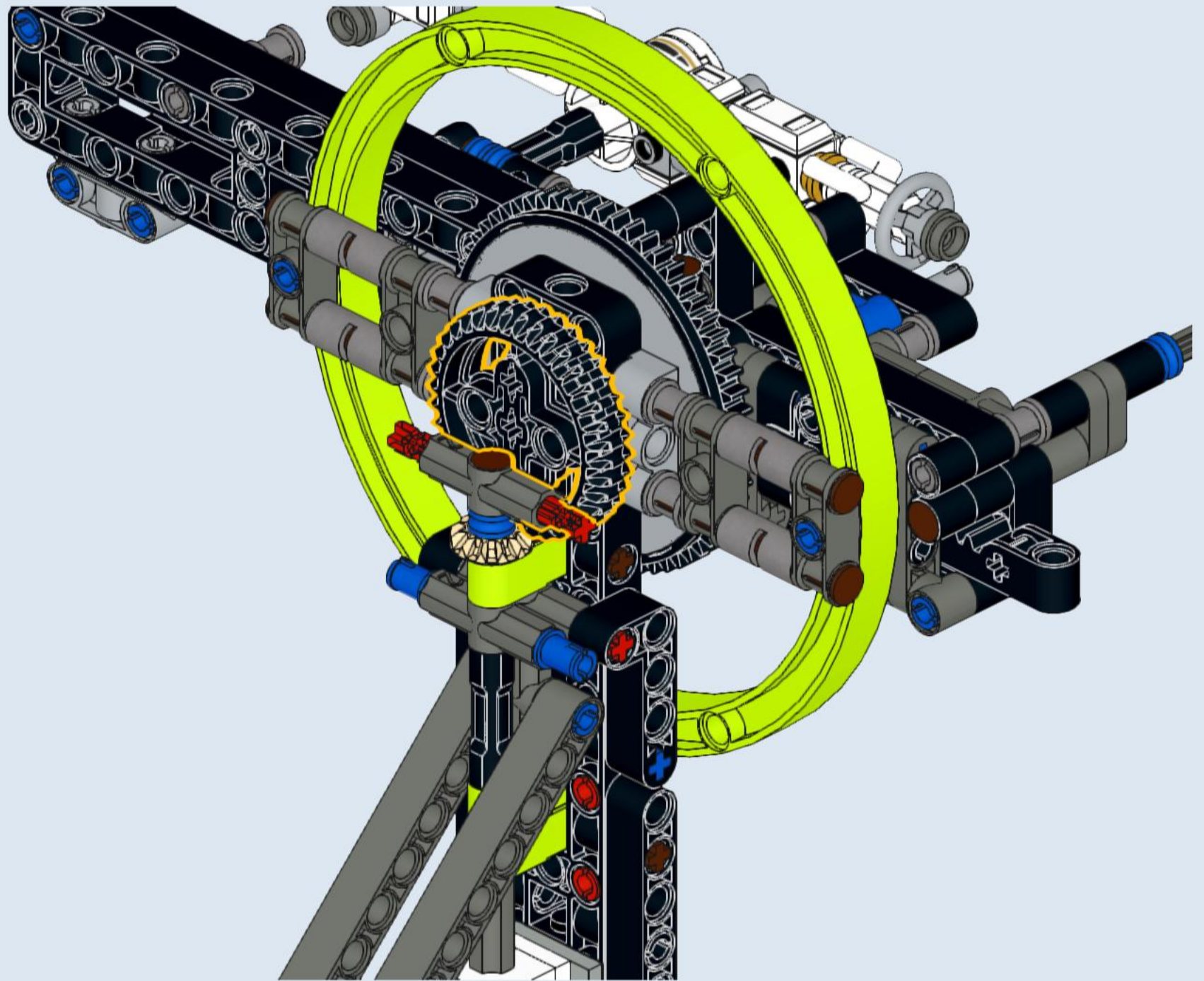


Original parts



1x

17



Original parts



2x

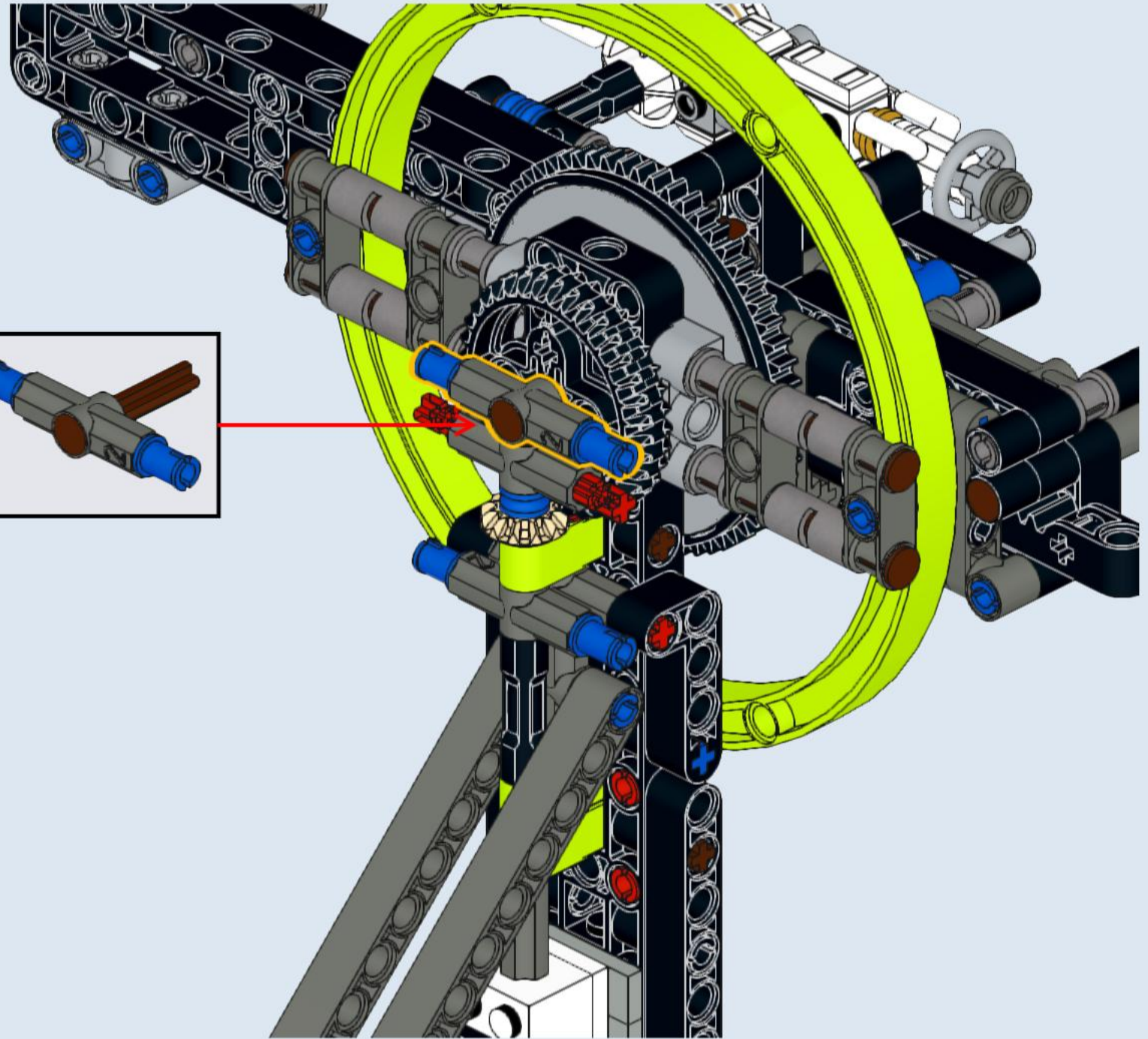
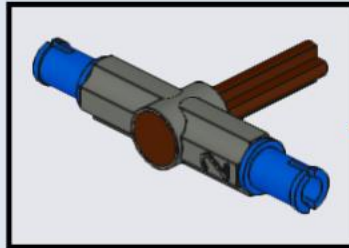


1x

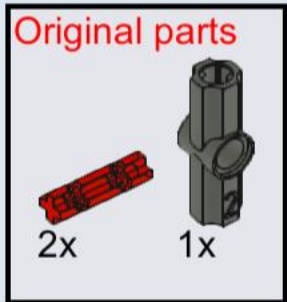


1x

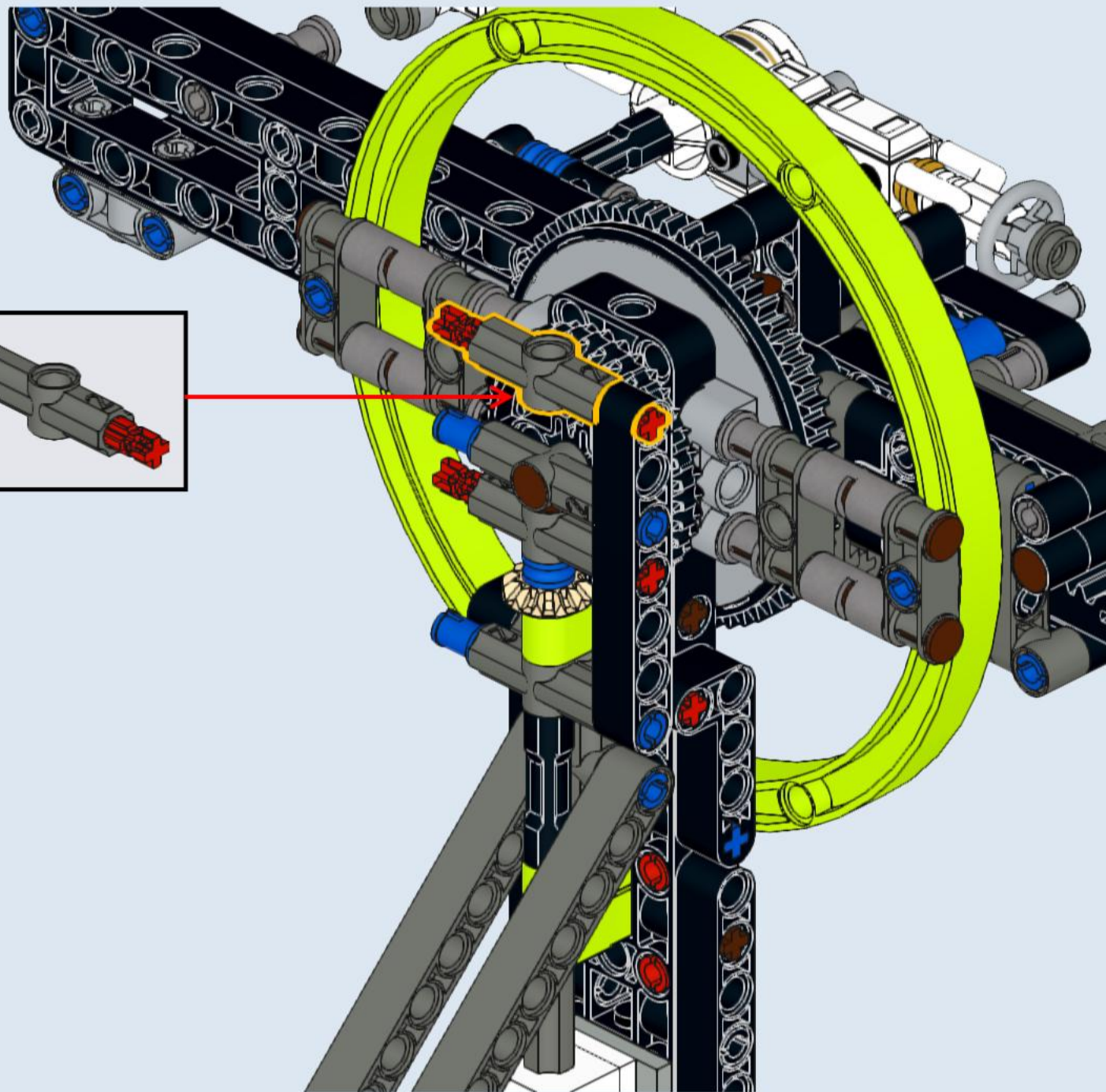
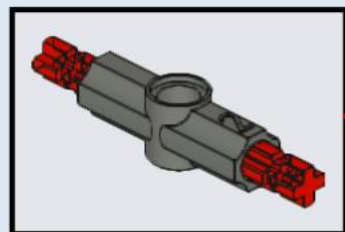
18







20

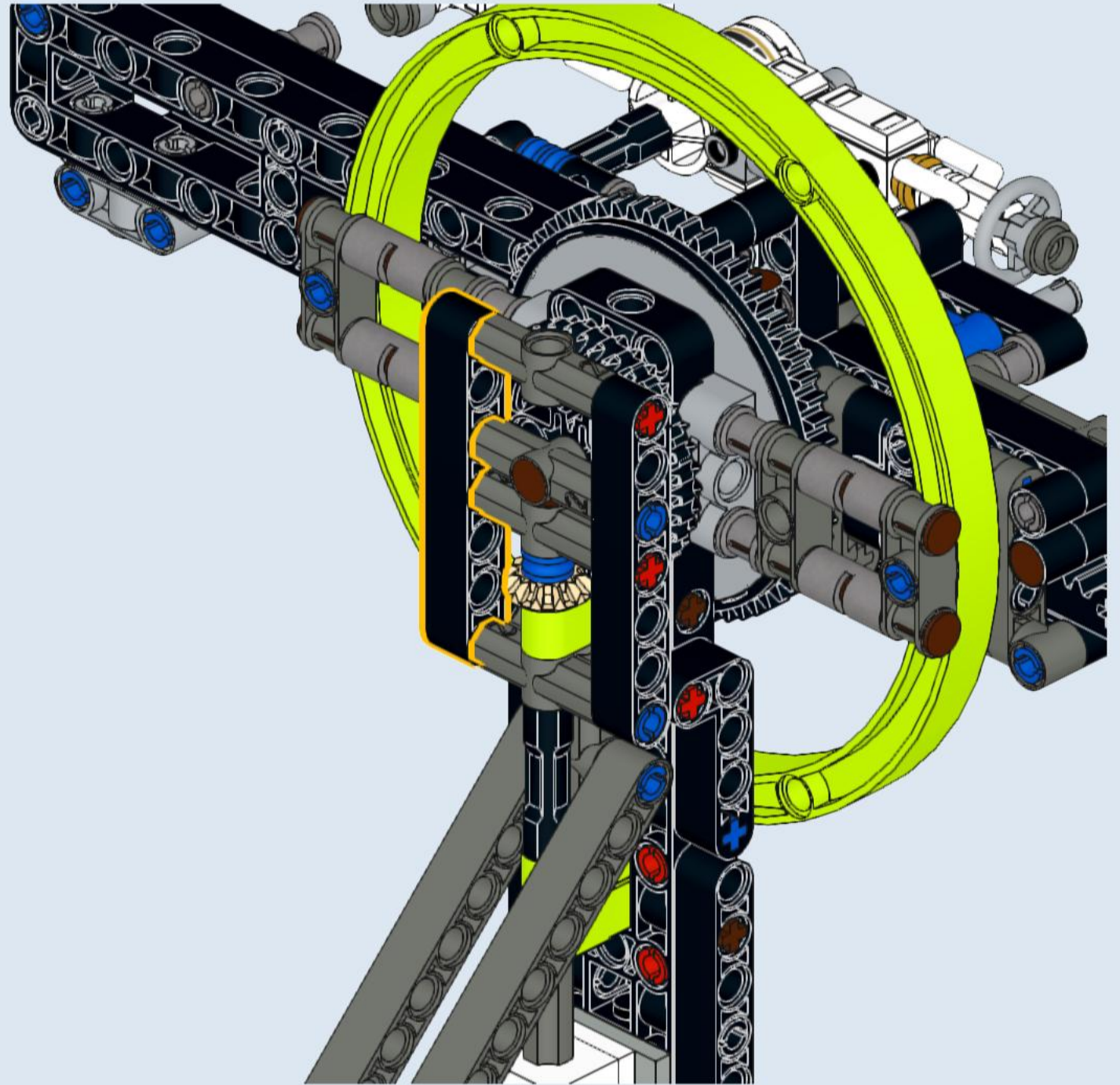


Original parts



1x

21



Original parts

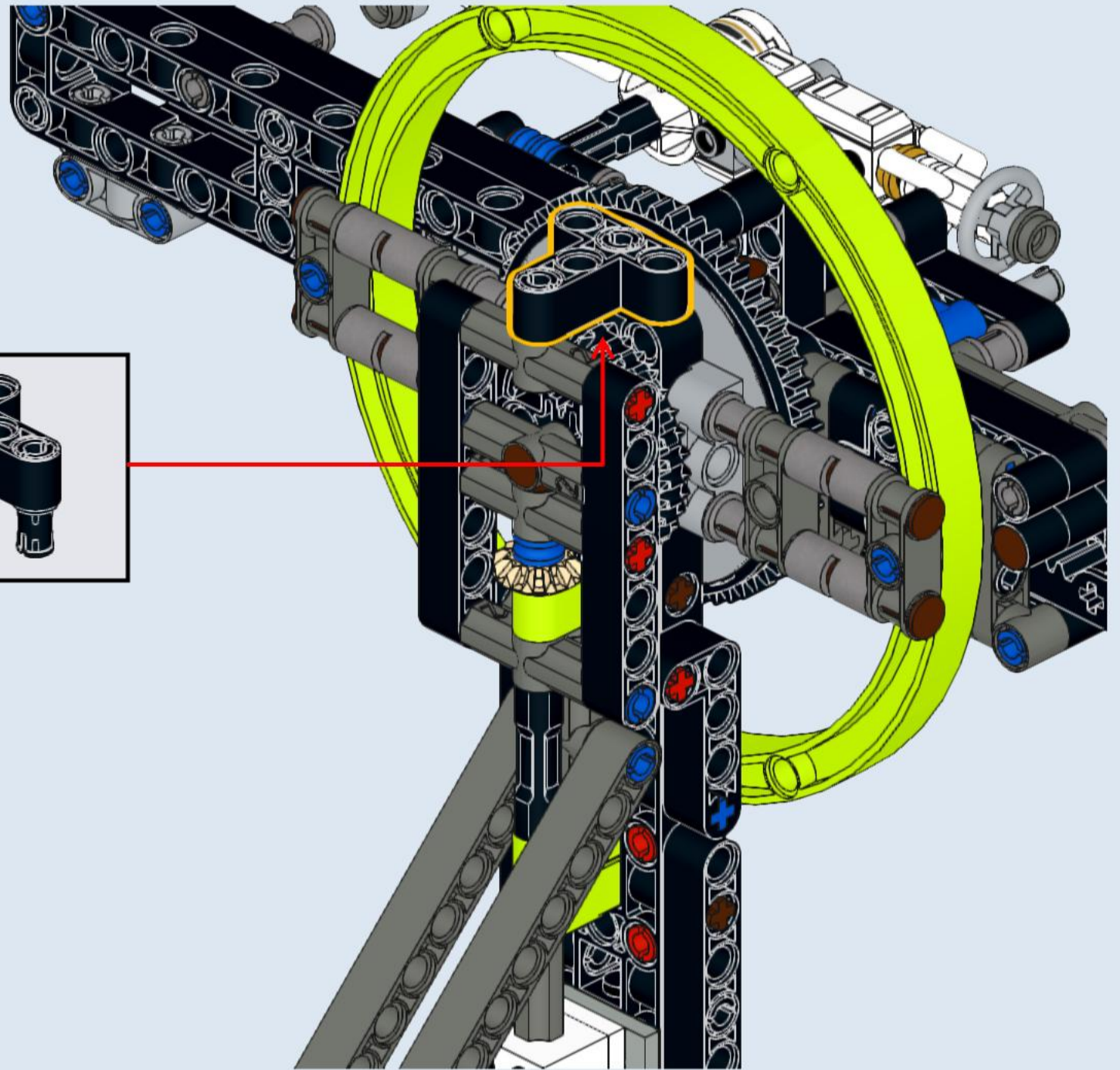
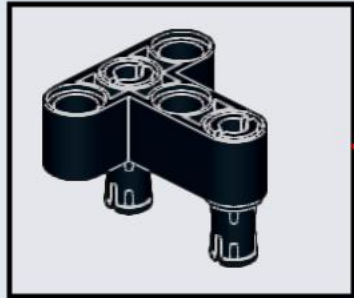


2x



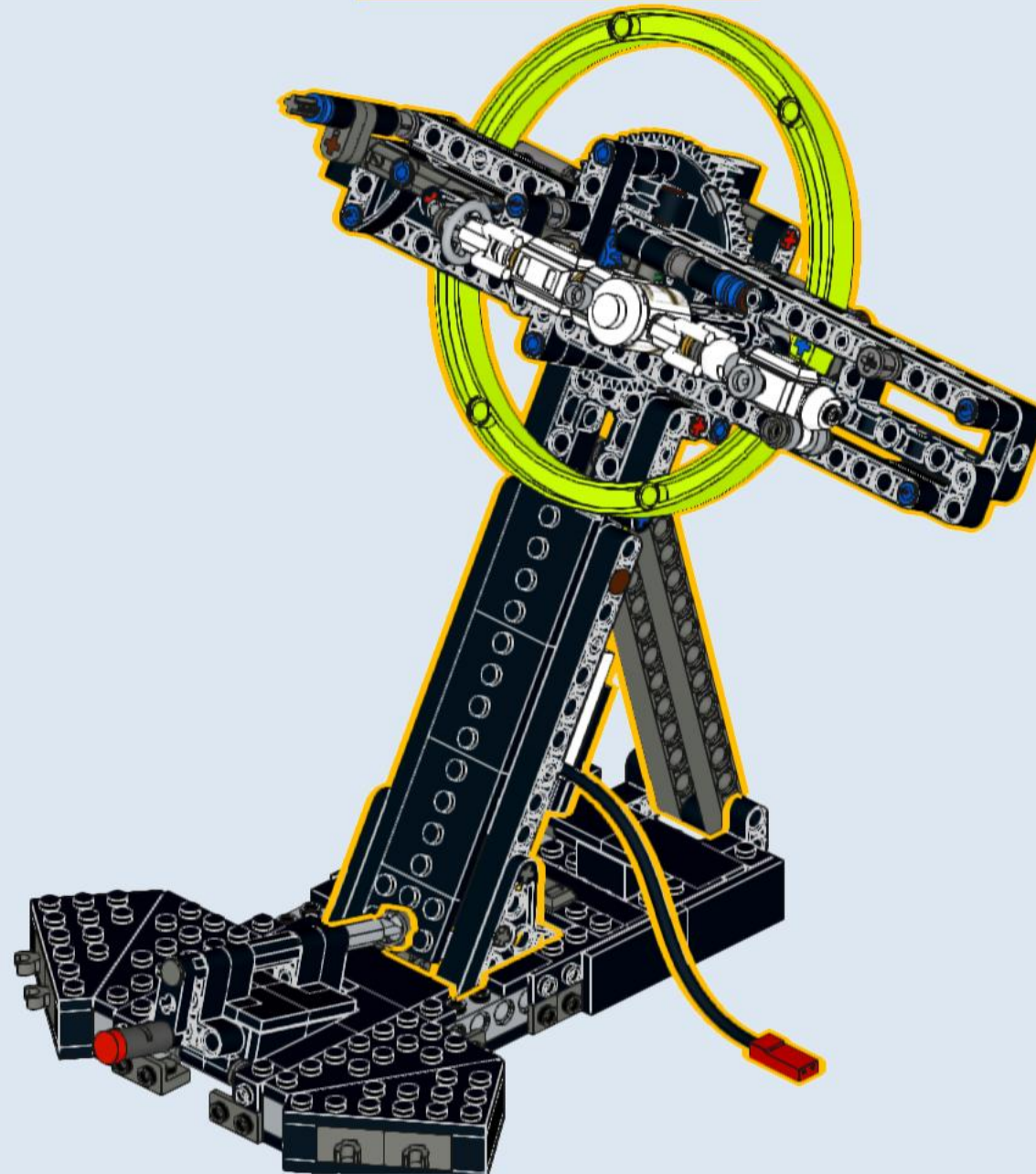
1x

22



23

Attach to the base

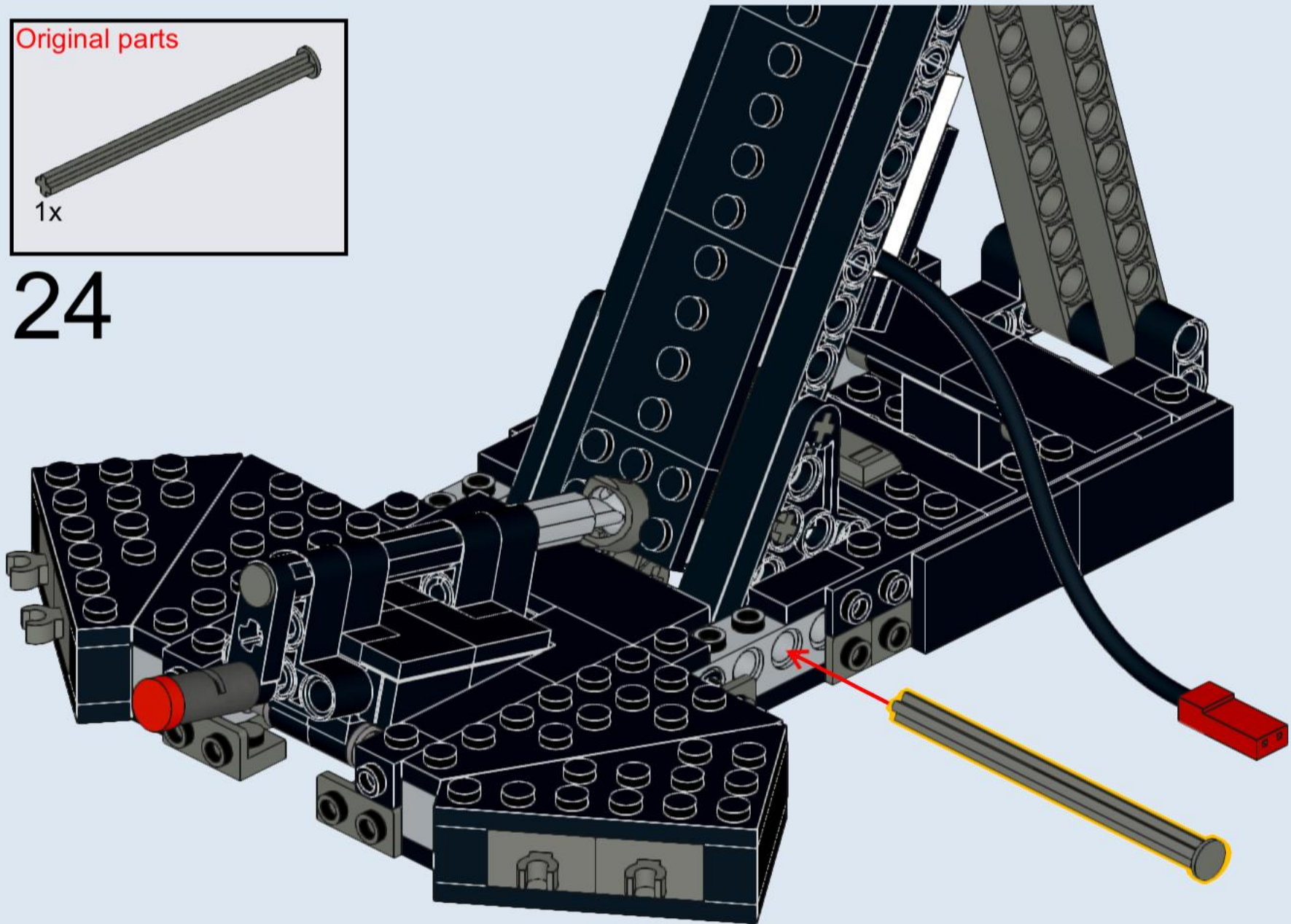


Original parts



1x

24

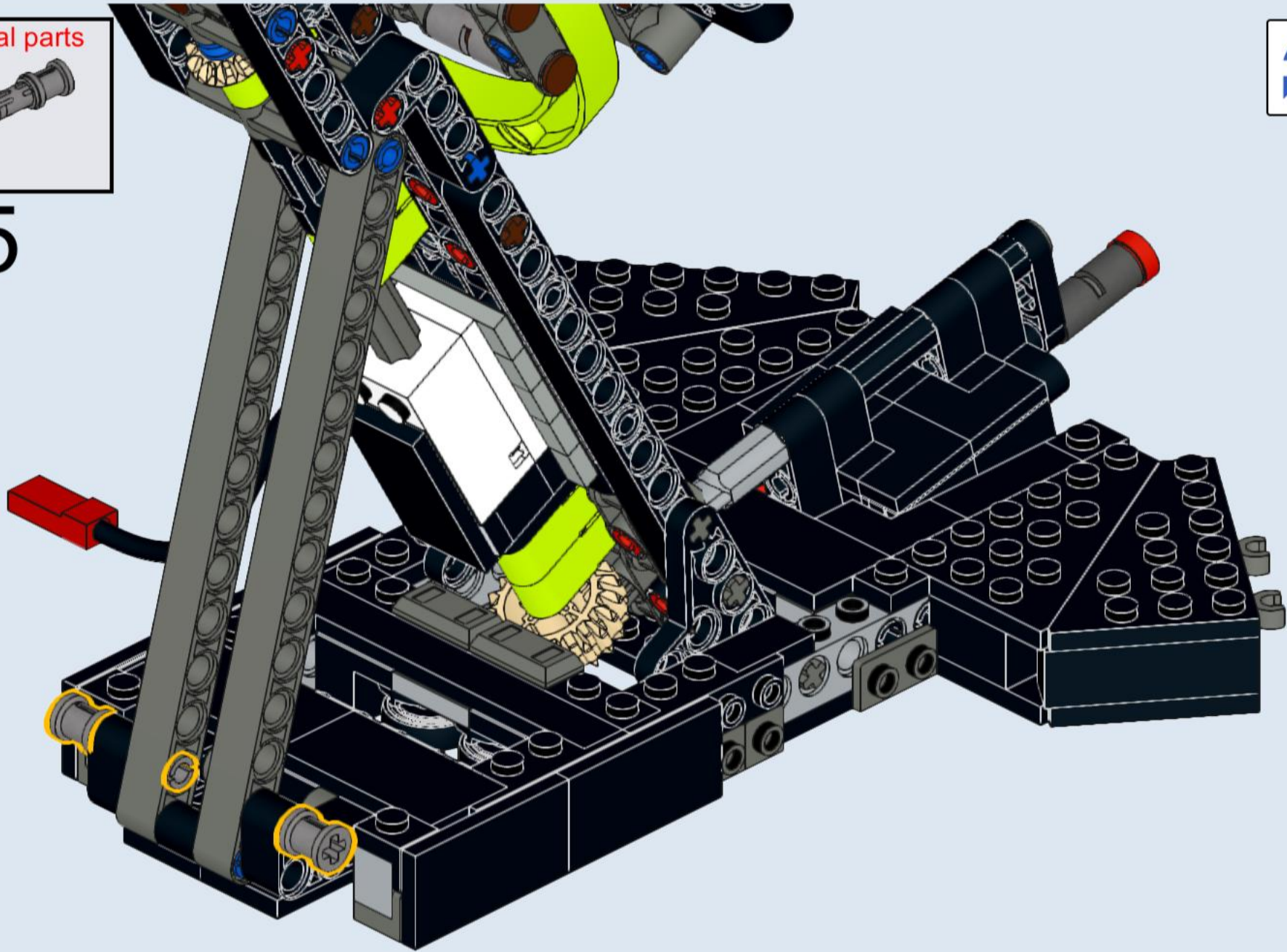


Original parts



2x

25

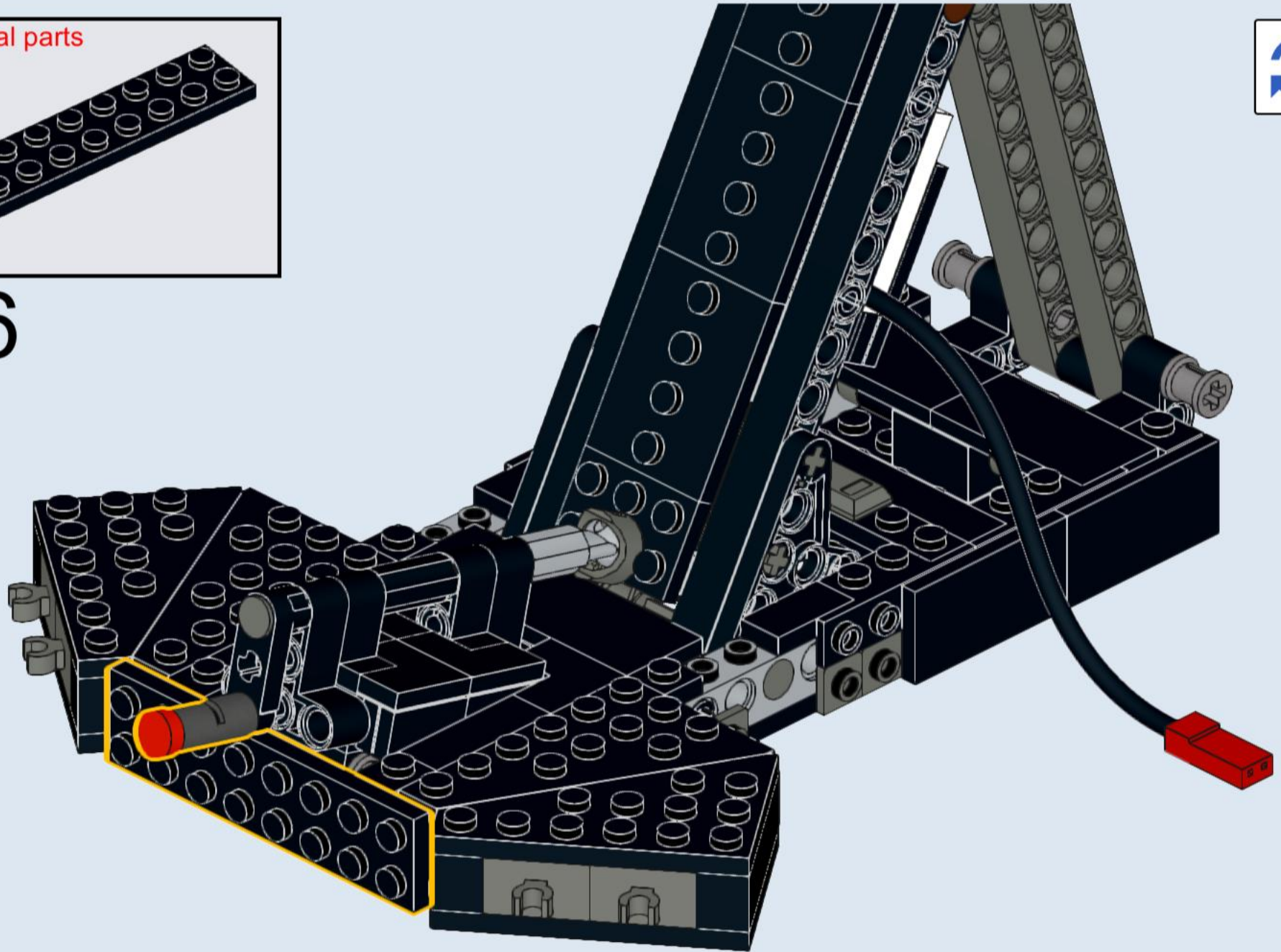


Original parts



1x

26



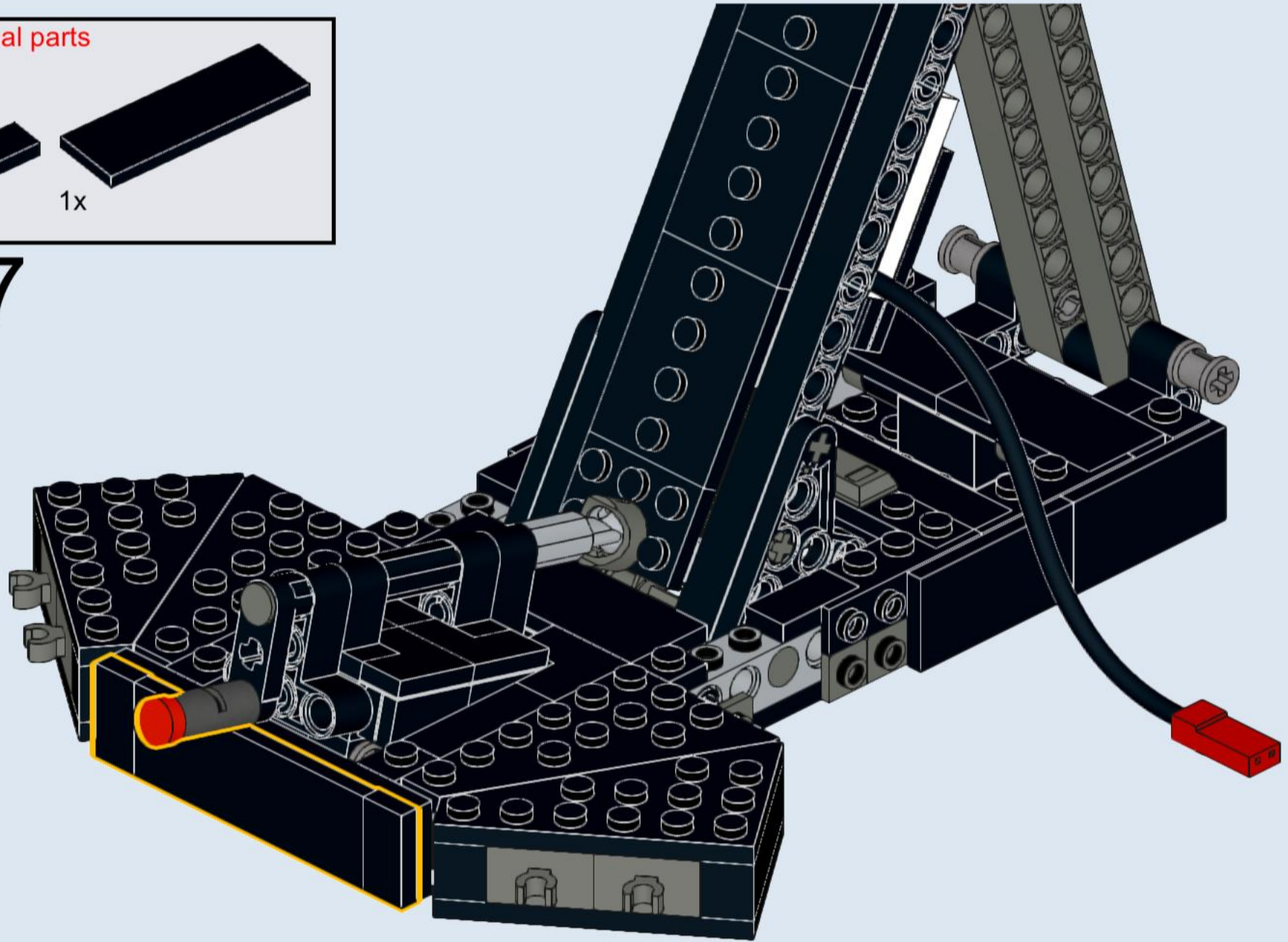
Original parts



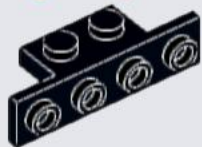
2x

1x

27

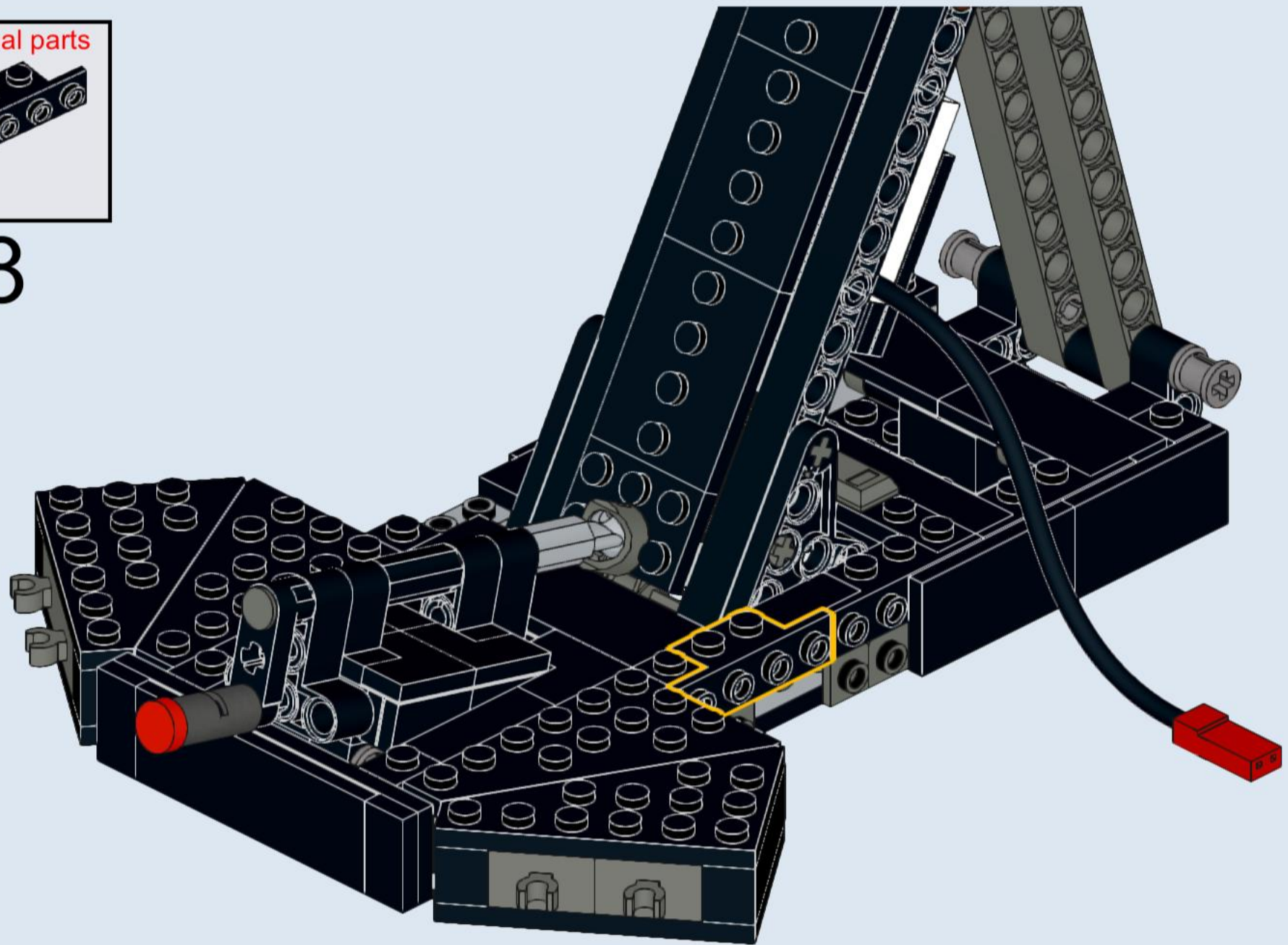


Original parts



1x

28

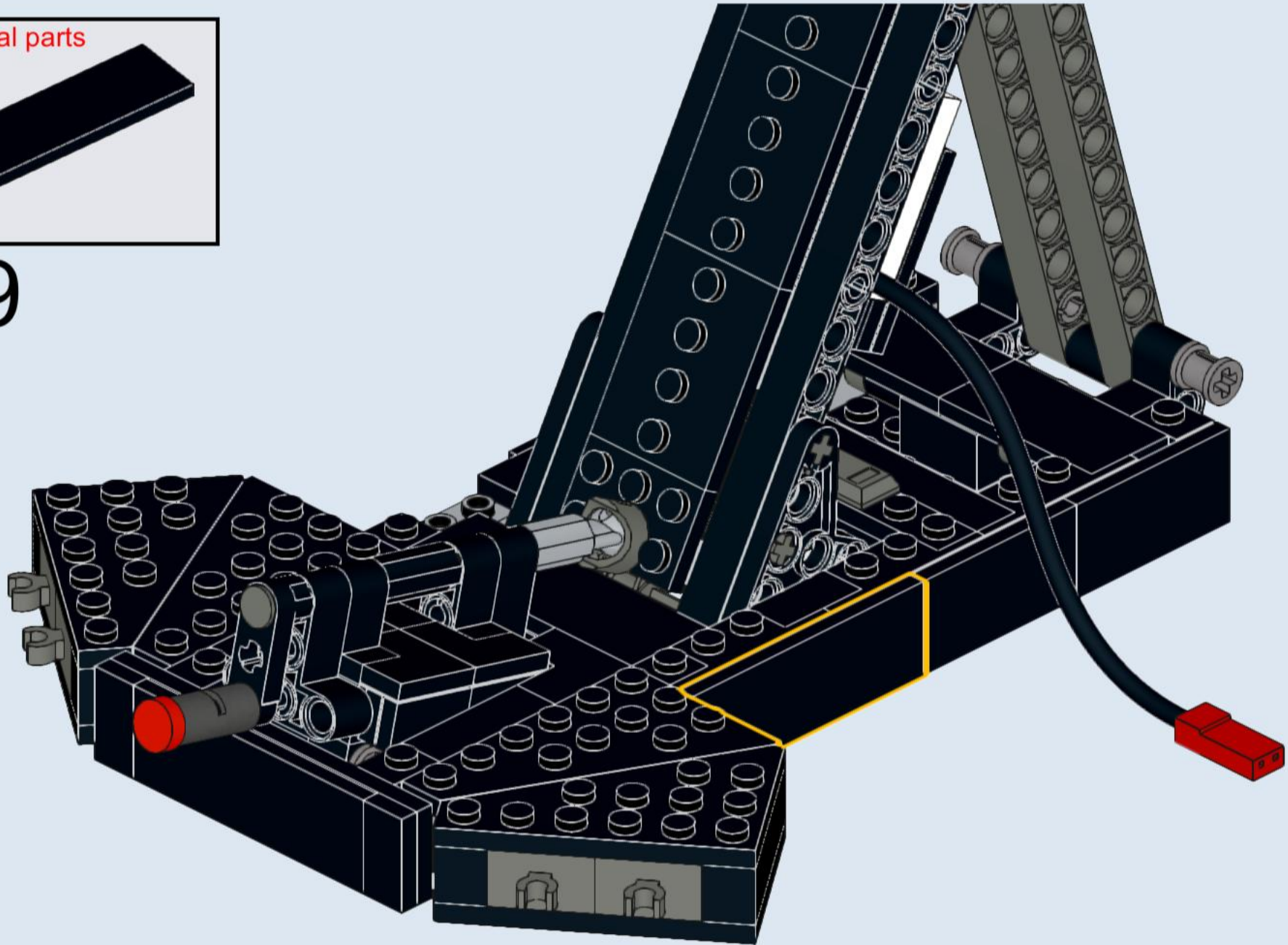


Original parts

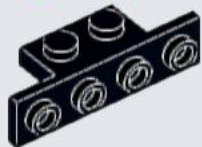


1x

29

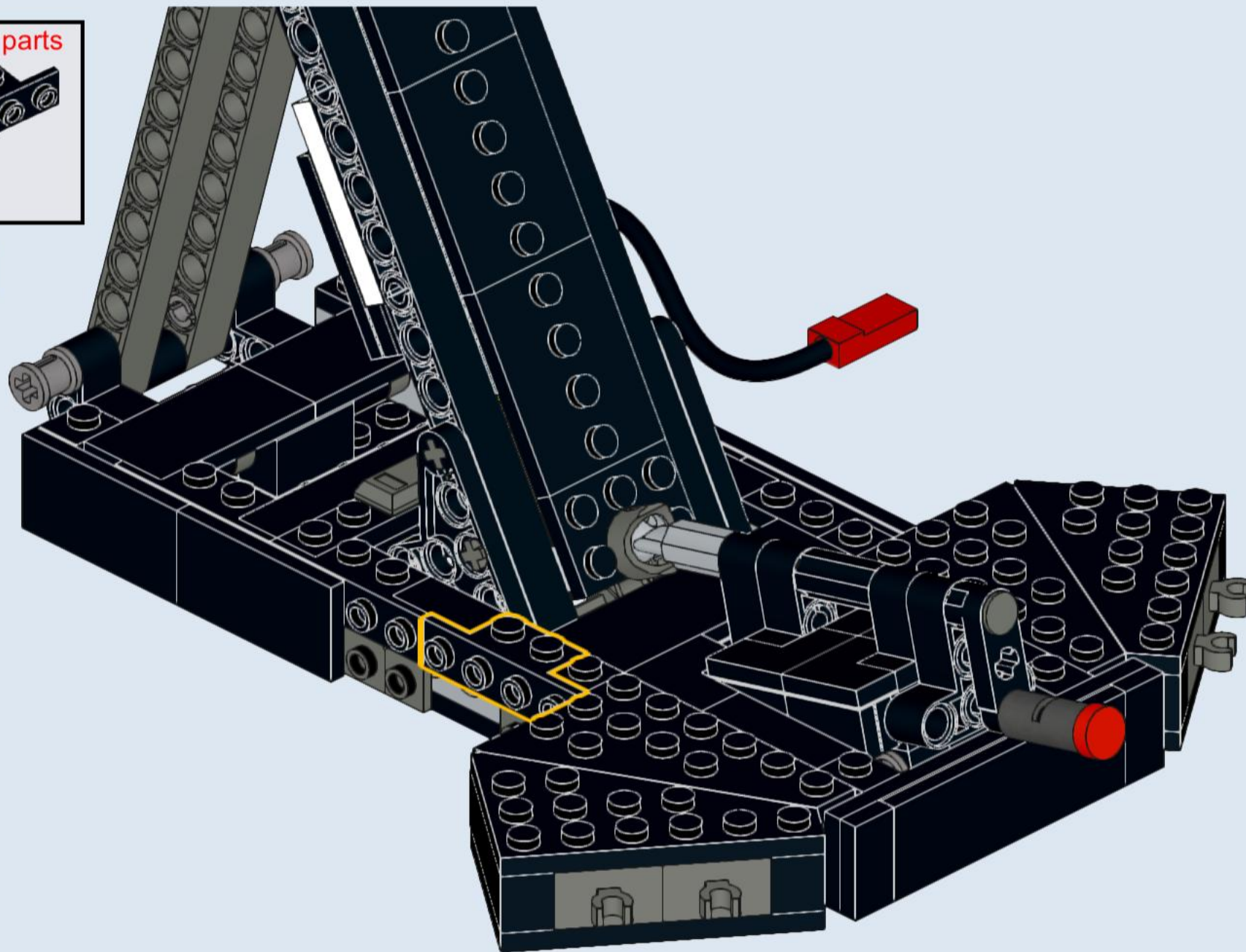


Original parts



1x

30

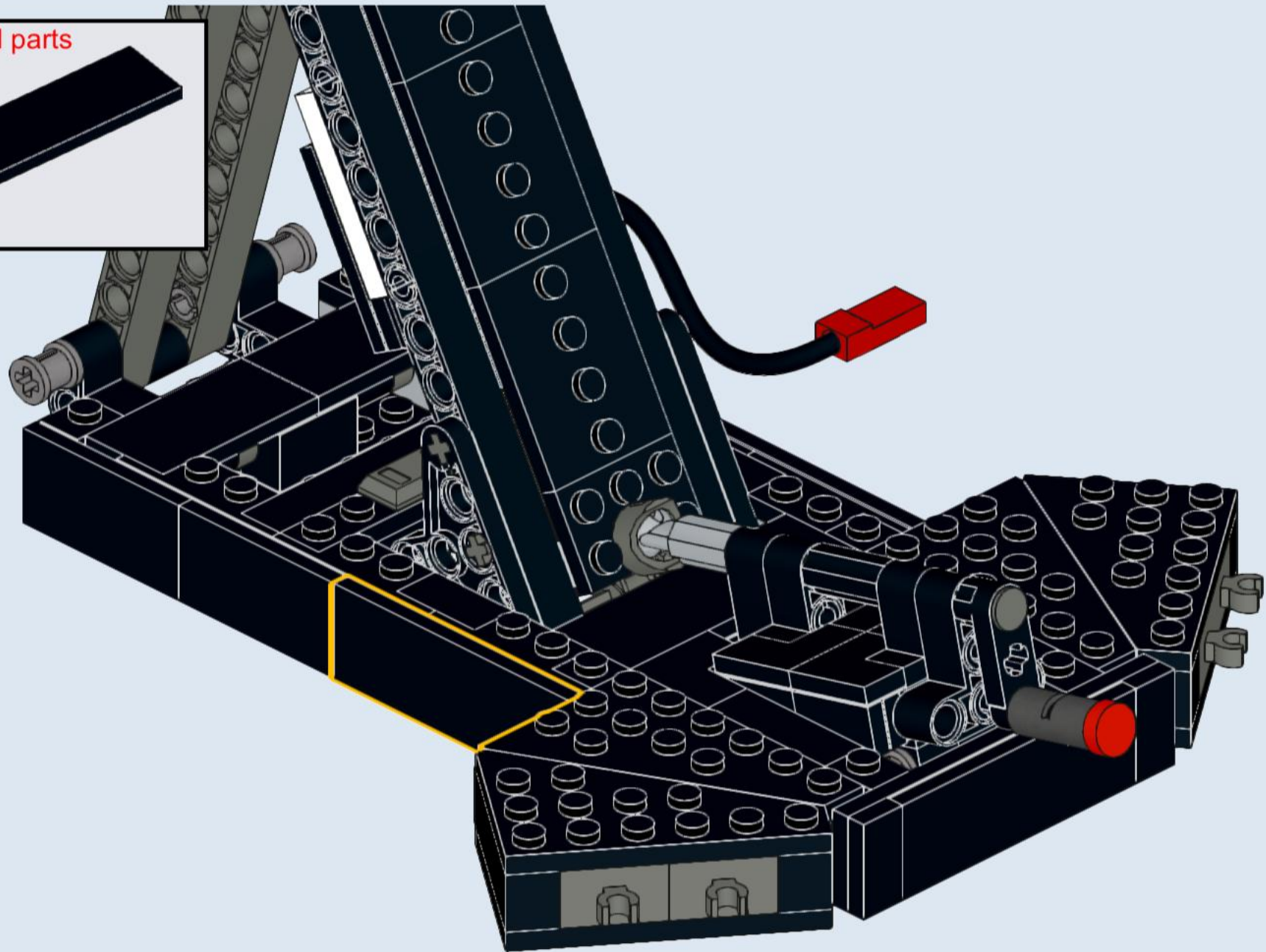


Original parts

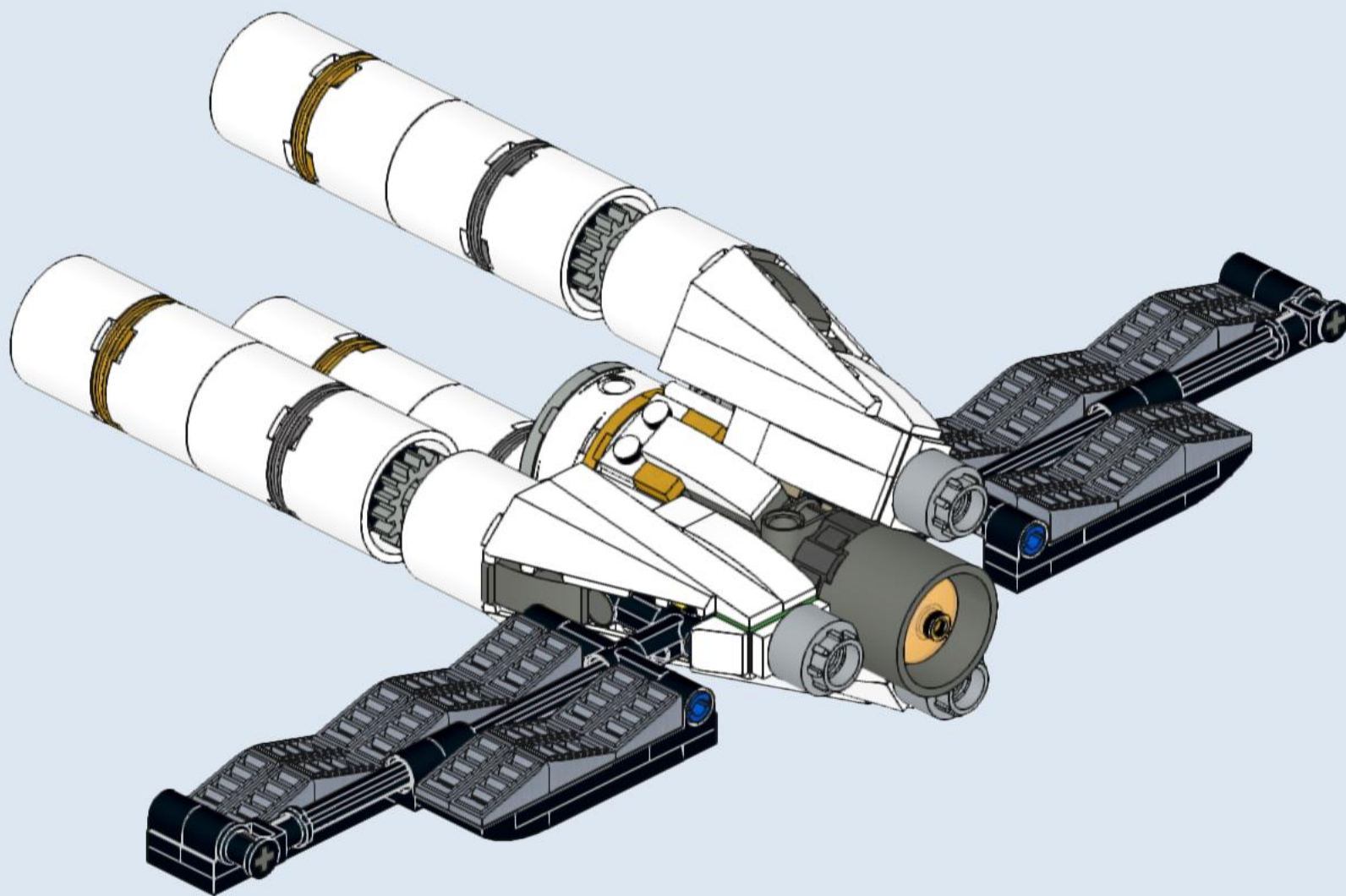


1x

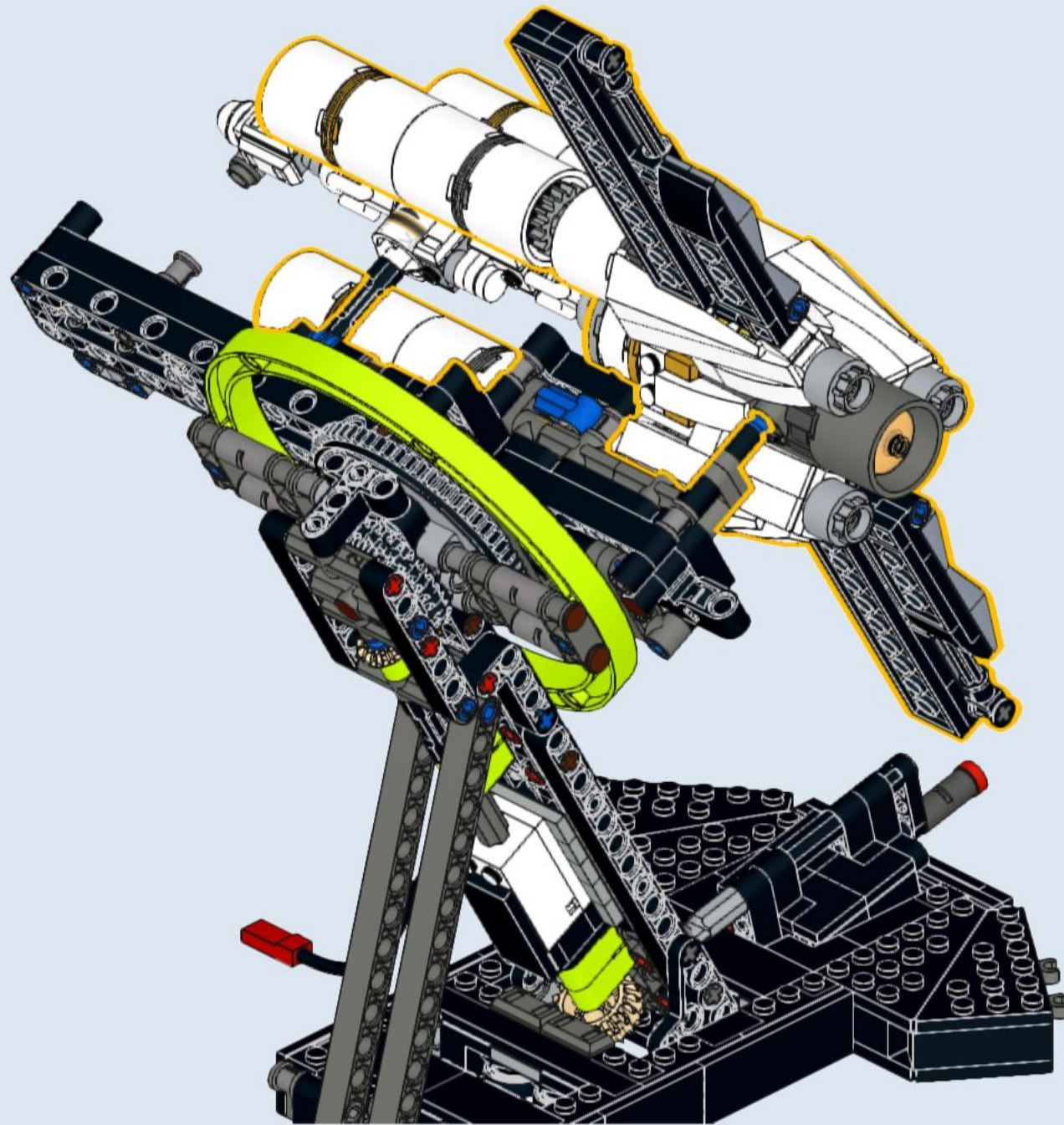
31



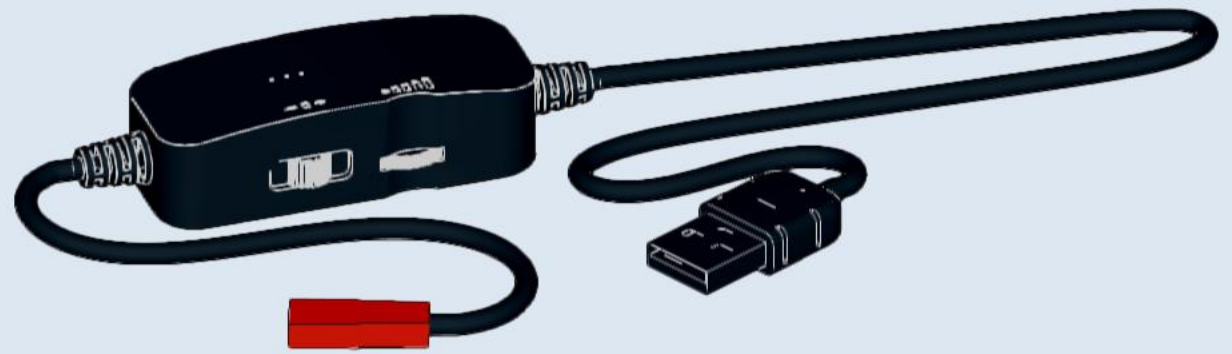
Take this part



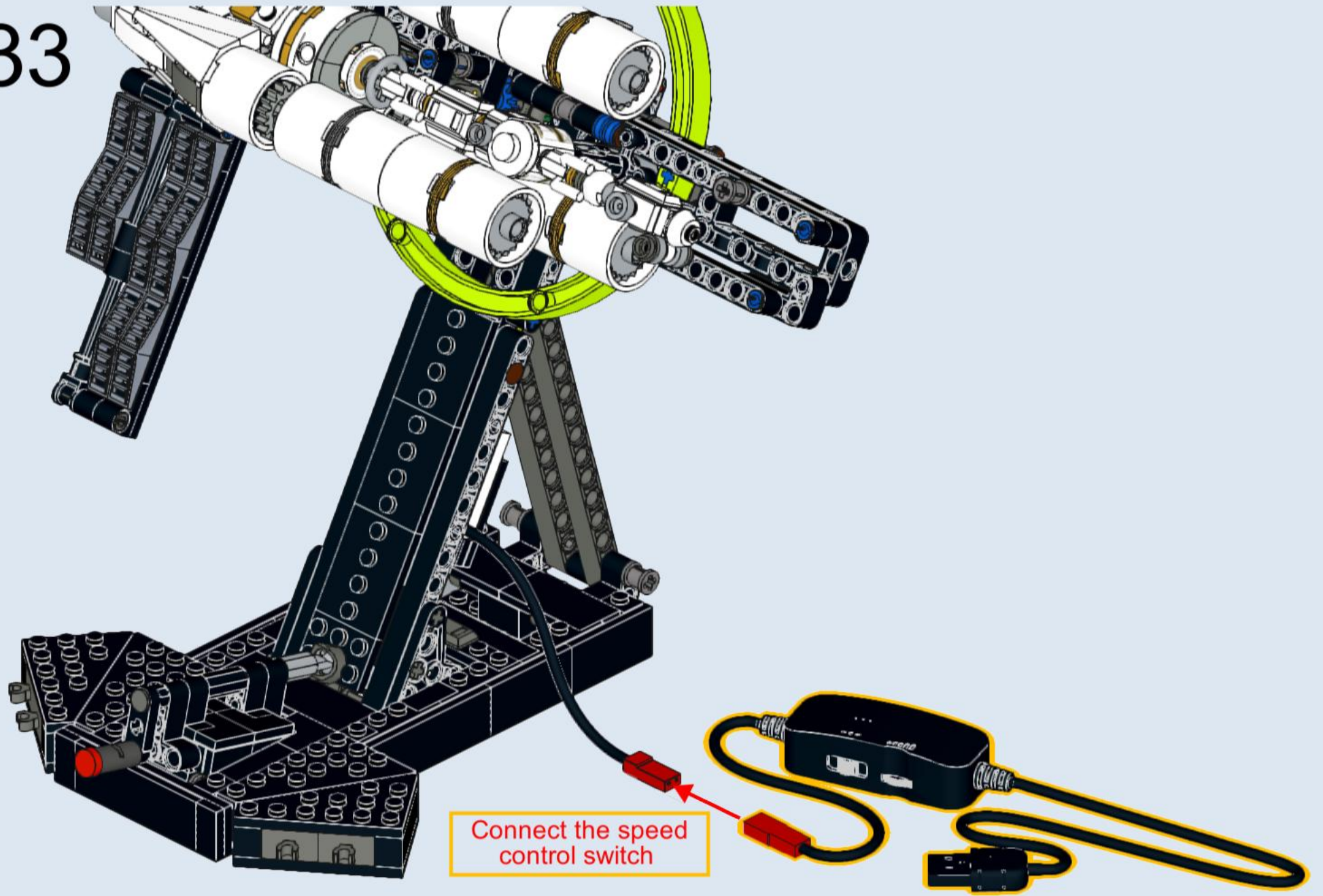
32



Take out the speed control switch

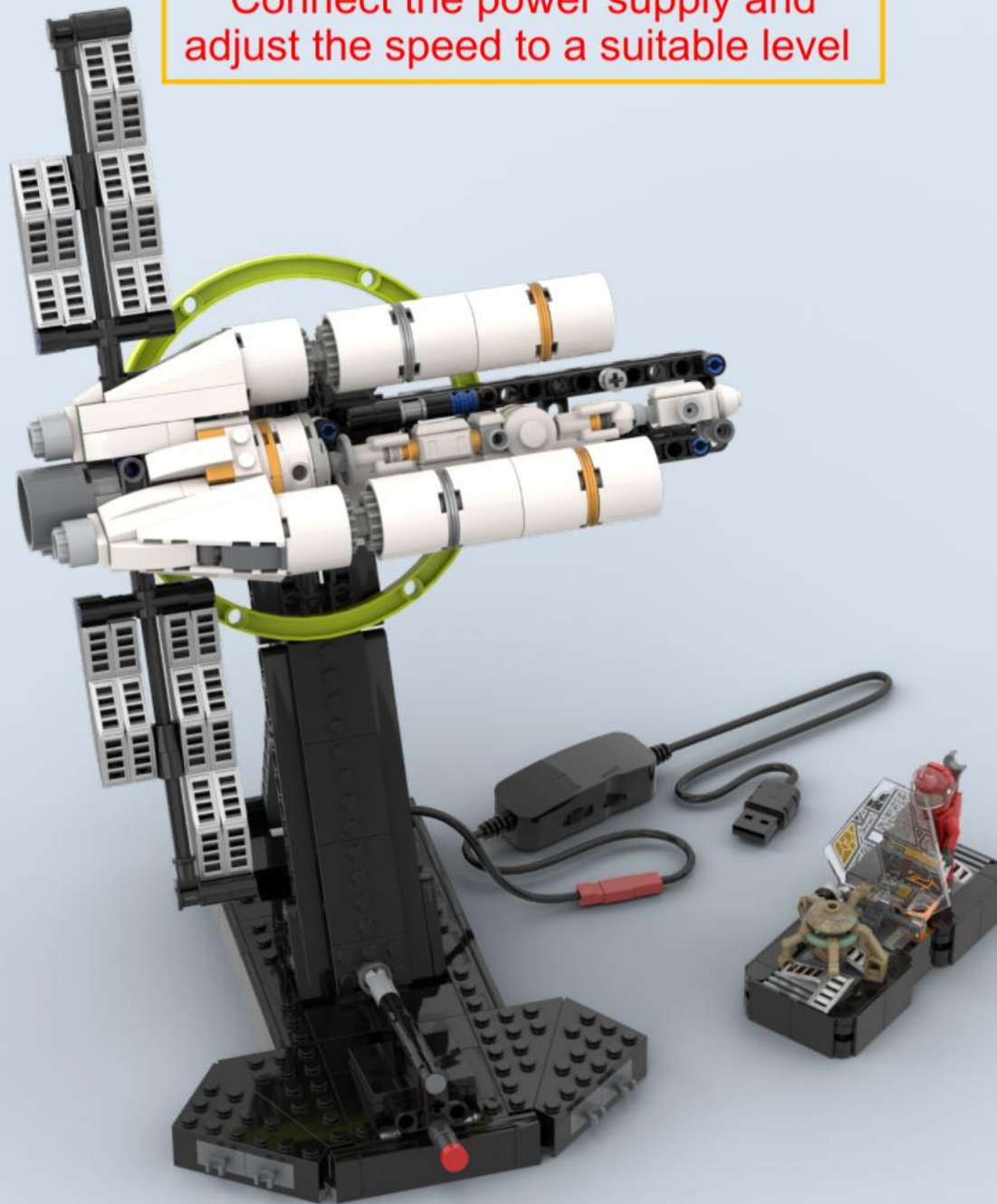


33



Connect the speed control switch

Connect the power supply and  
adjust the speed to a suitable level



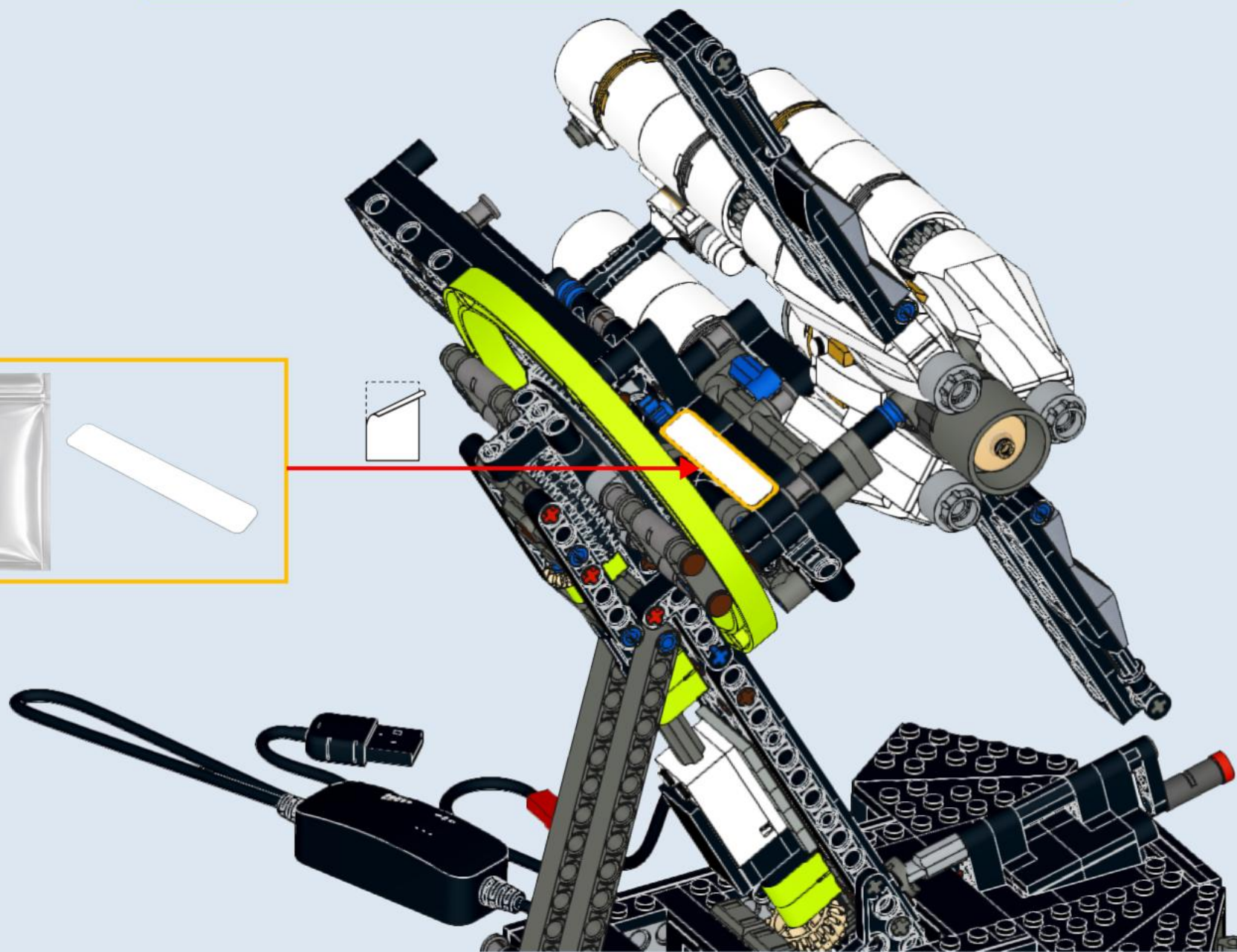
# Power system completed

Lighting system compatibility is required.  
Continue with the following steps

## Section 5 – Lighting Wiring Modification

1

Peel and stick the double-sided tape to the designated area



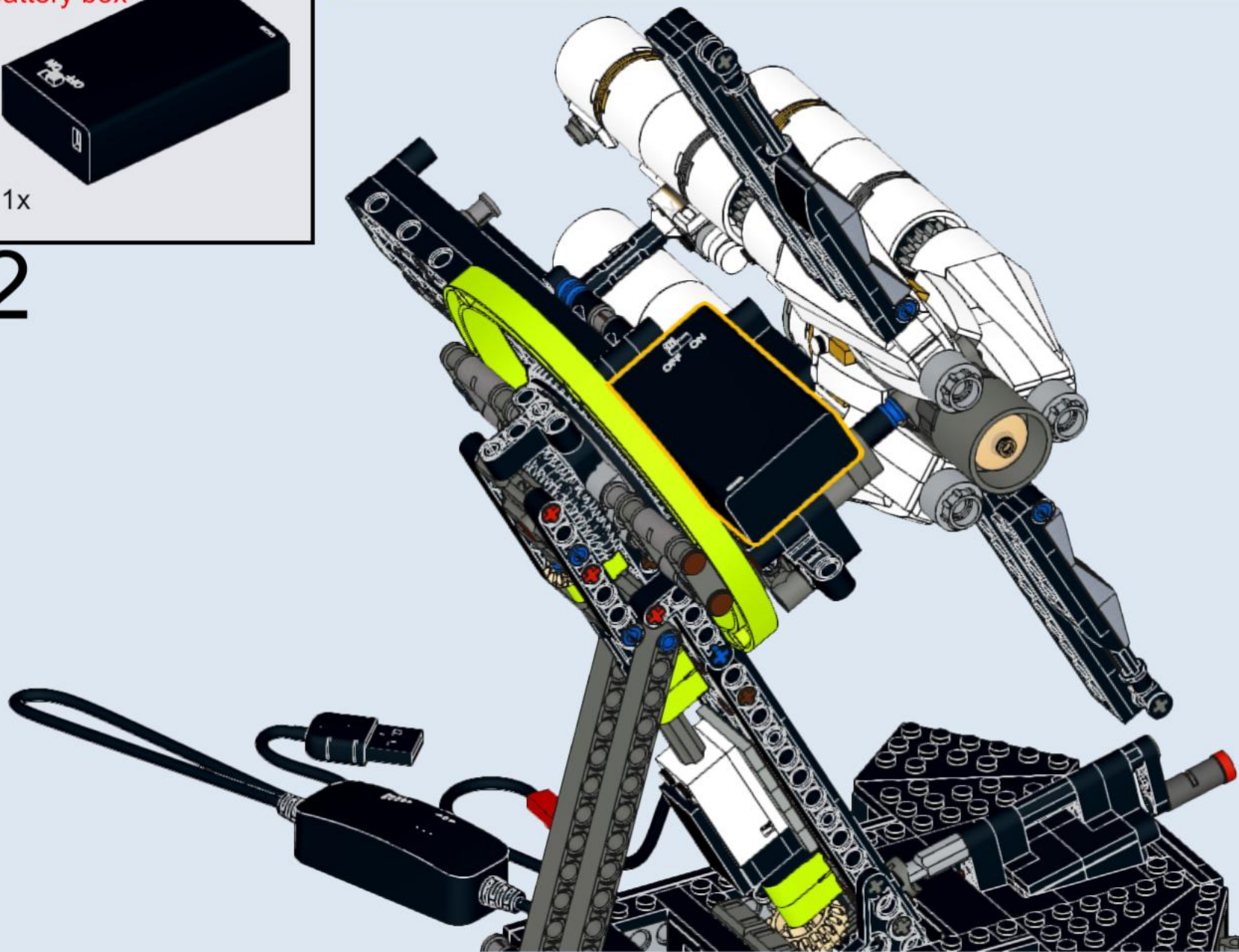
The light kit  
battery box



1x

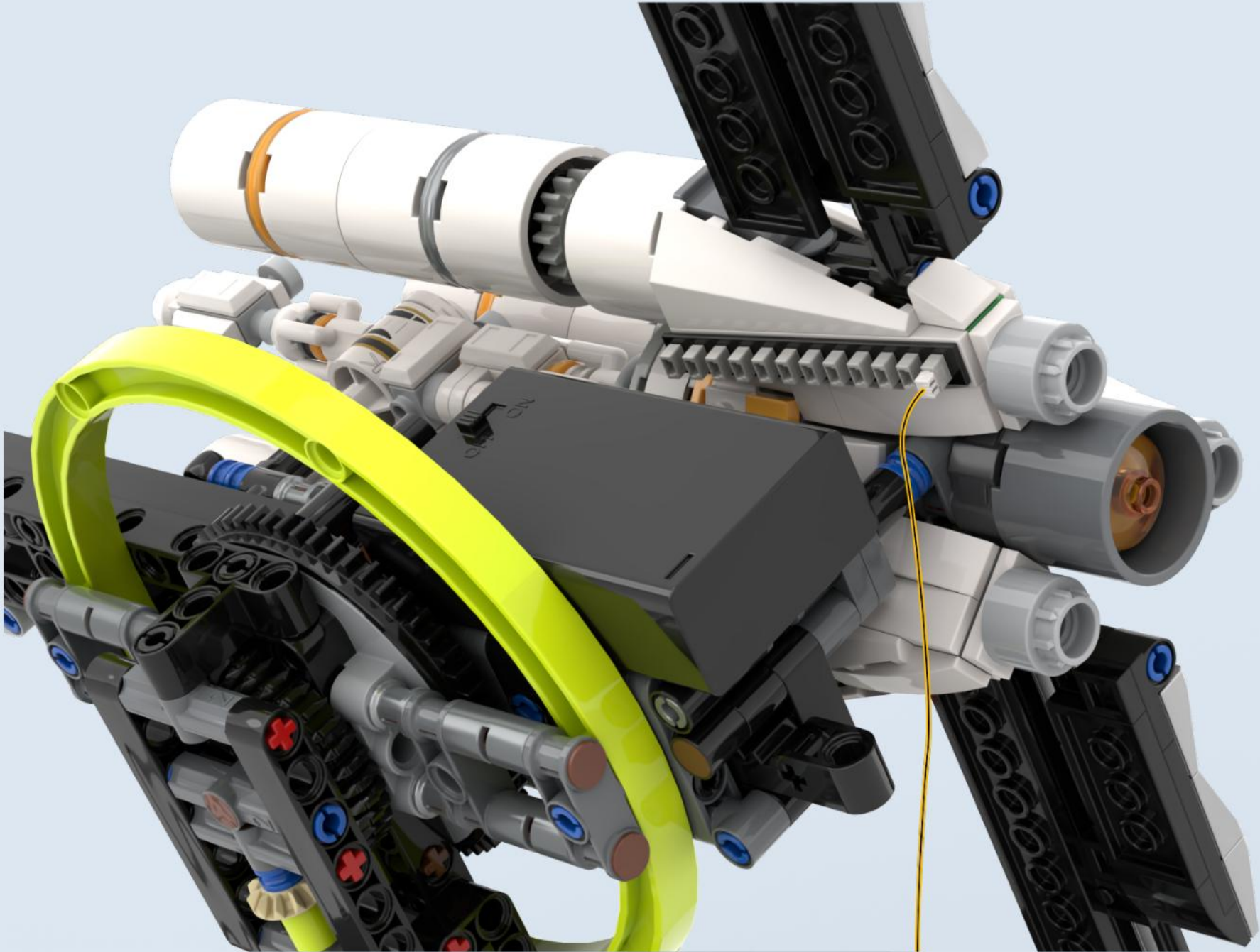
2

Take the light battery box, stick it in place, and press to secure



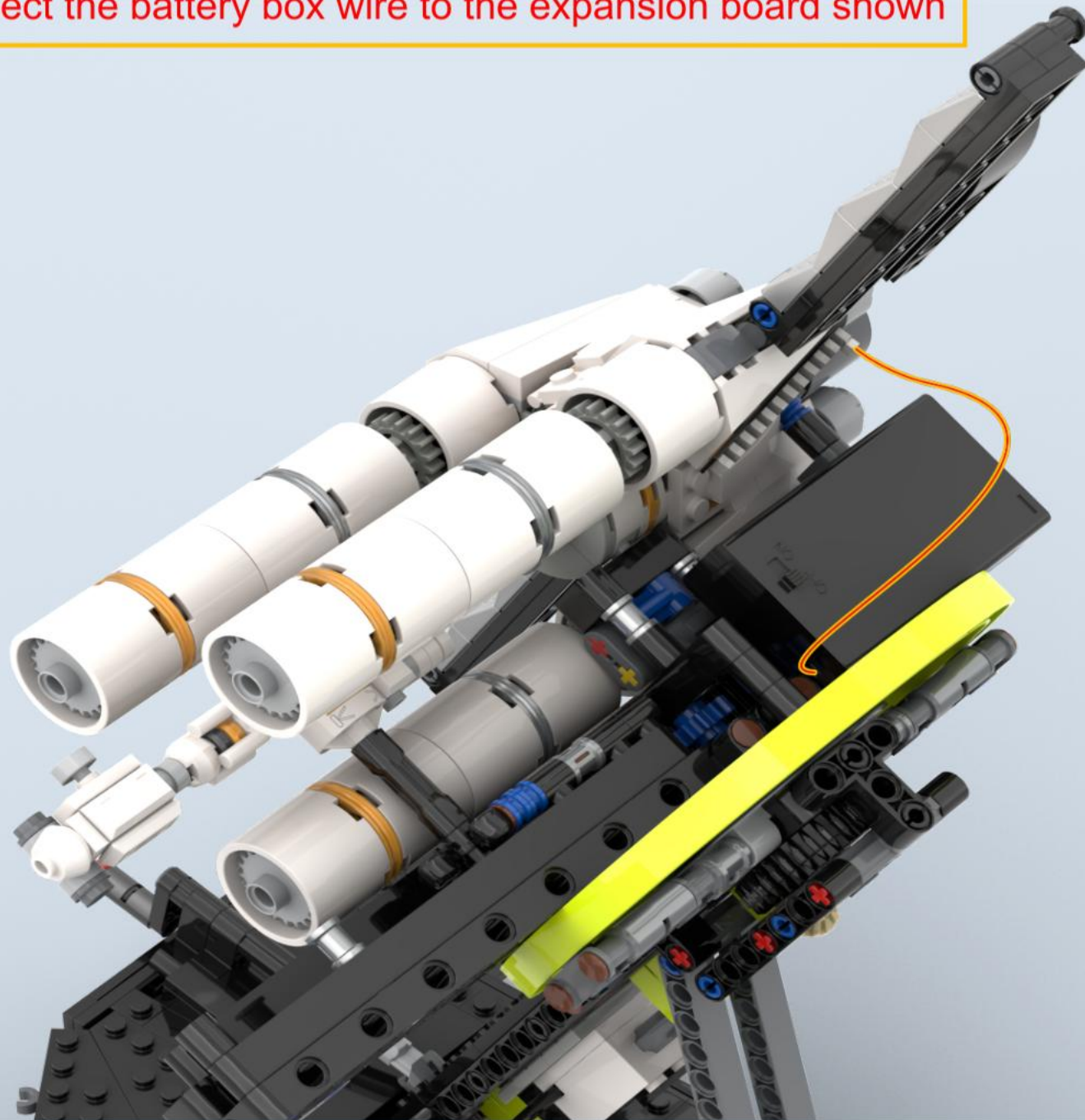
3

Find the wire for the port shown and remove it



4

Connect the battery box wire to the expansion board shown



**Lighting-compatible modification completed**

