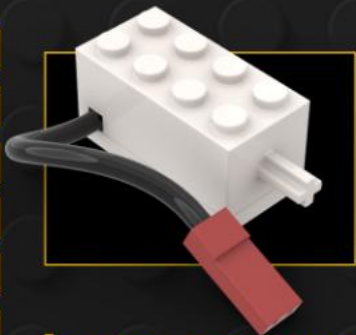




**BRICK
BLING**

INSTALLATION GUIDE

Prosperity Carp Leaping
80120

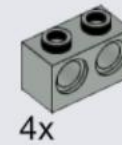
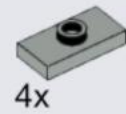
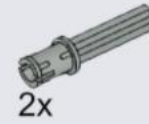
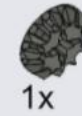
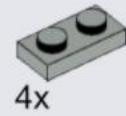


Lego-compatible power sets

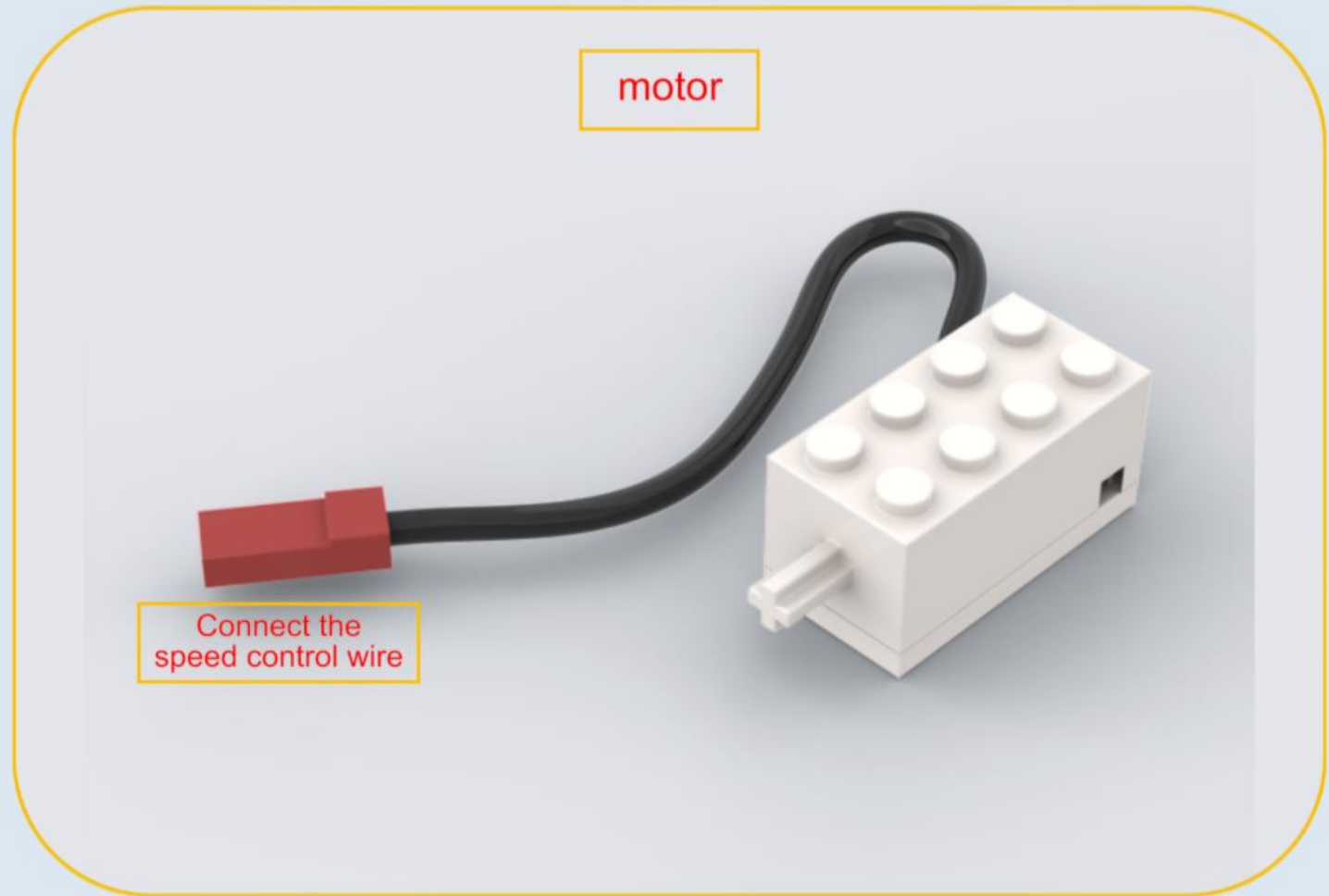


Section 1 – New Parts Overview

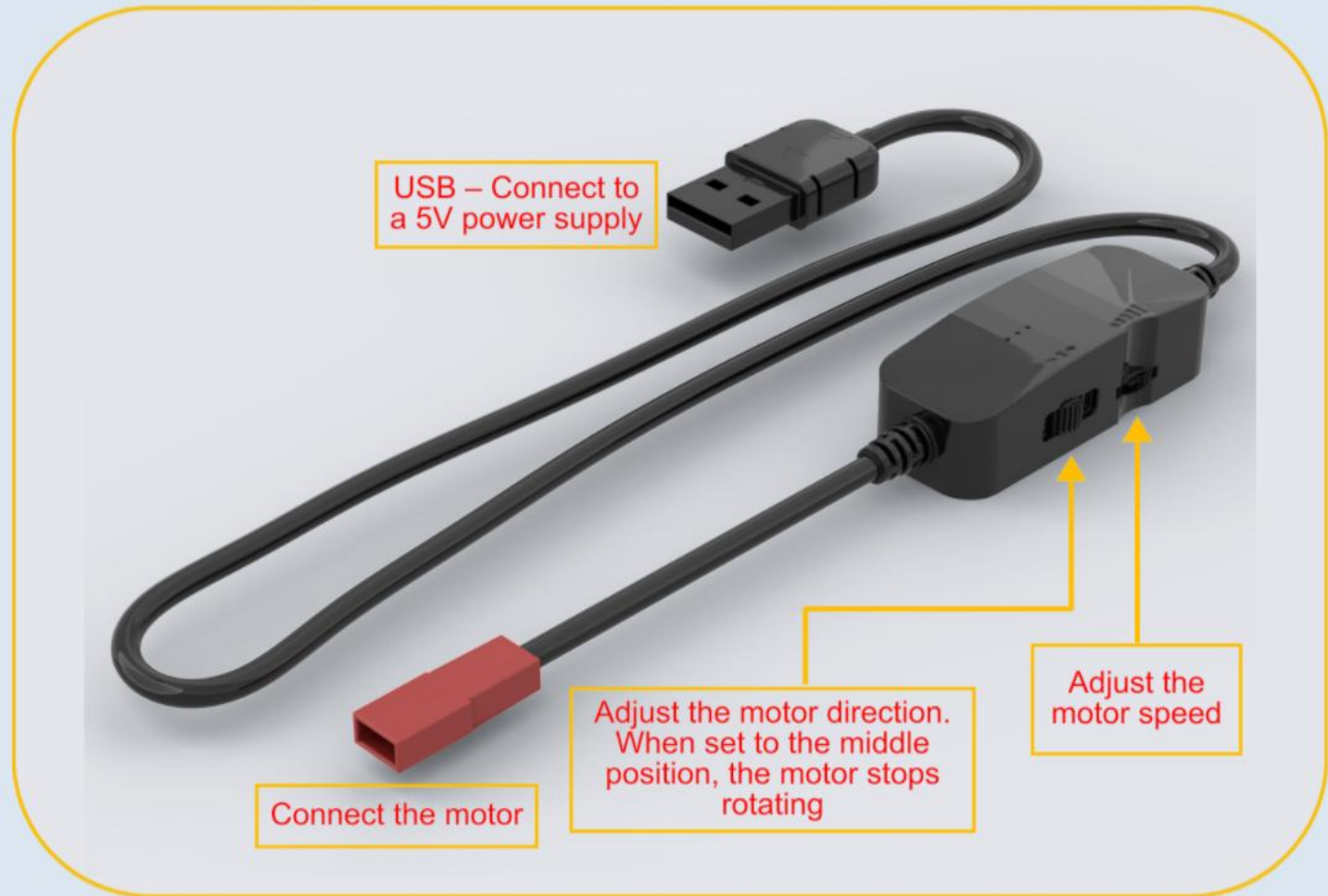
New Parts Overview



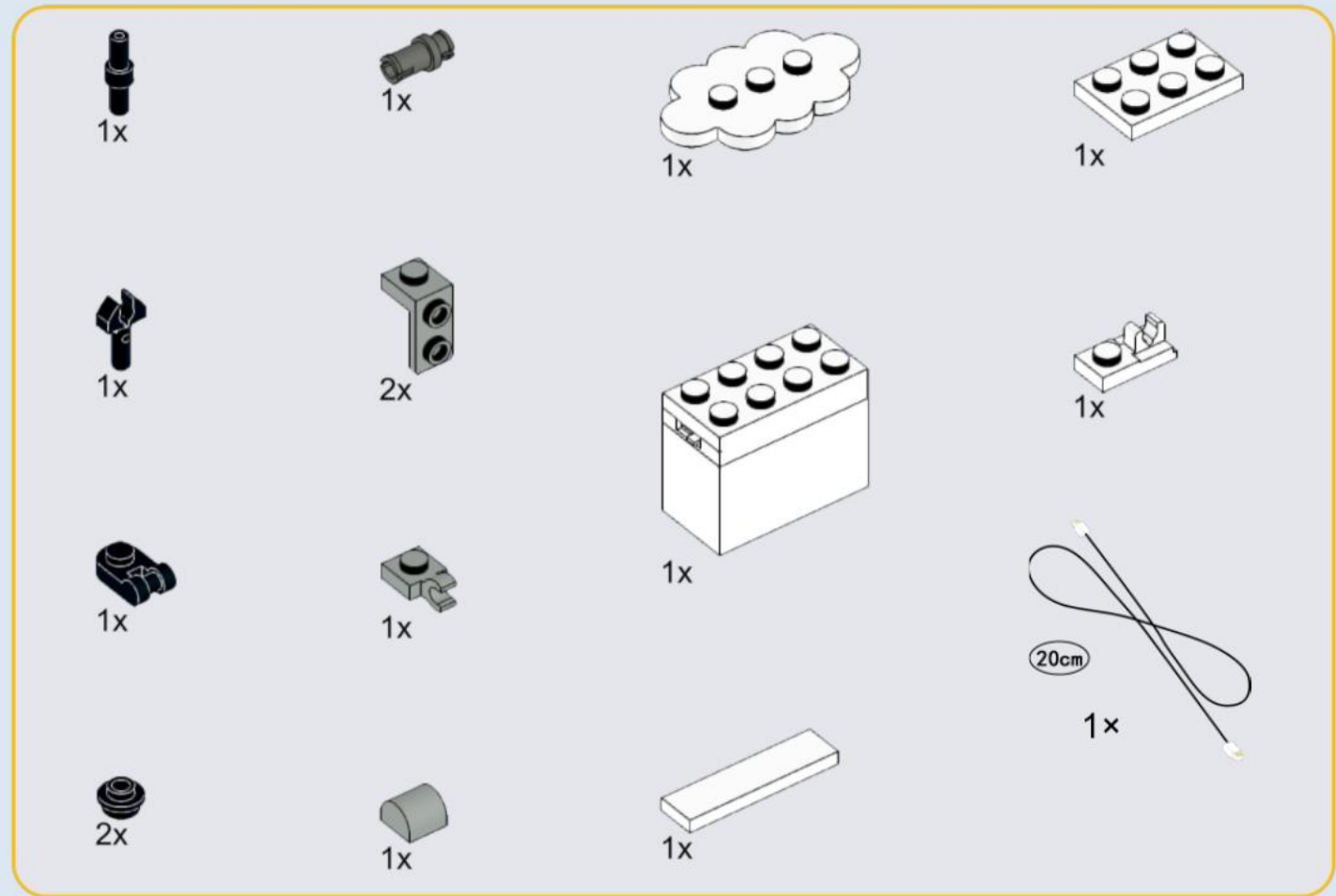
New Parts Overview



New Parts Overview



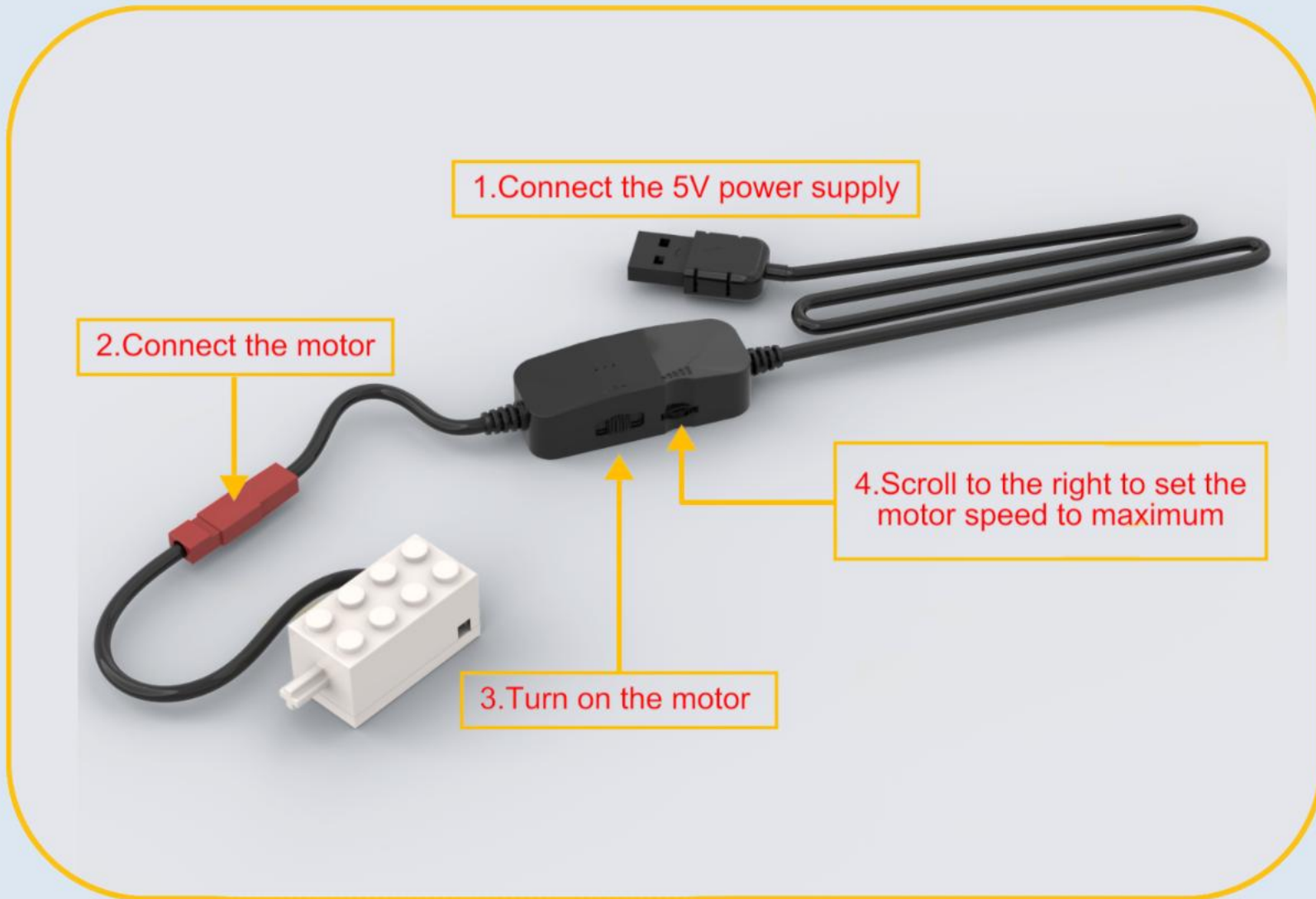
New Parts Overview



Compatible with lighting system. Not required for power system-only assembly

Section 2 – Power System Testing

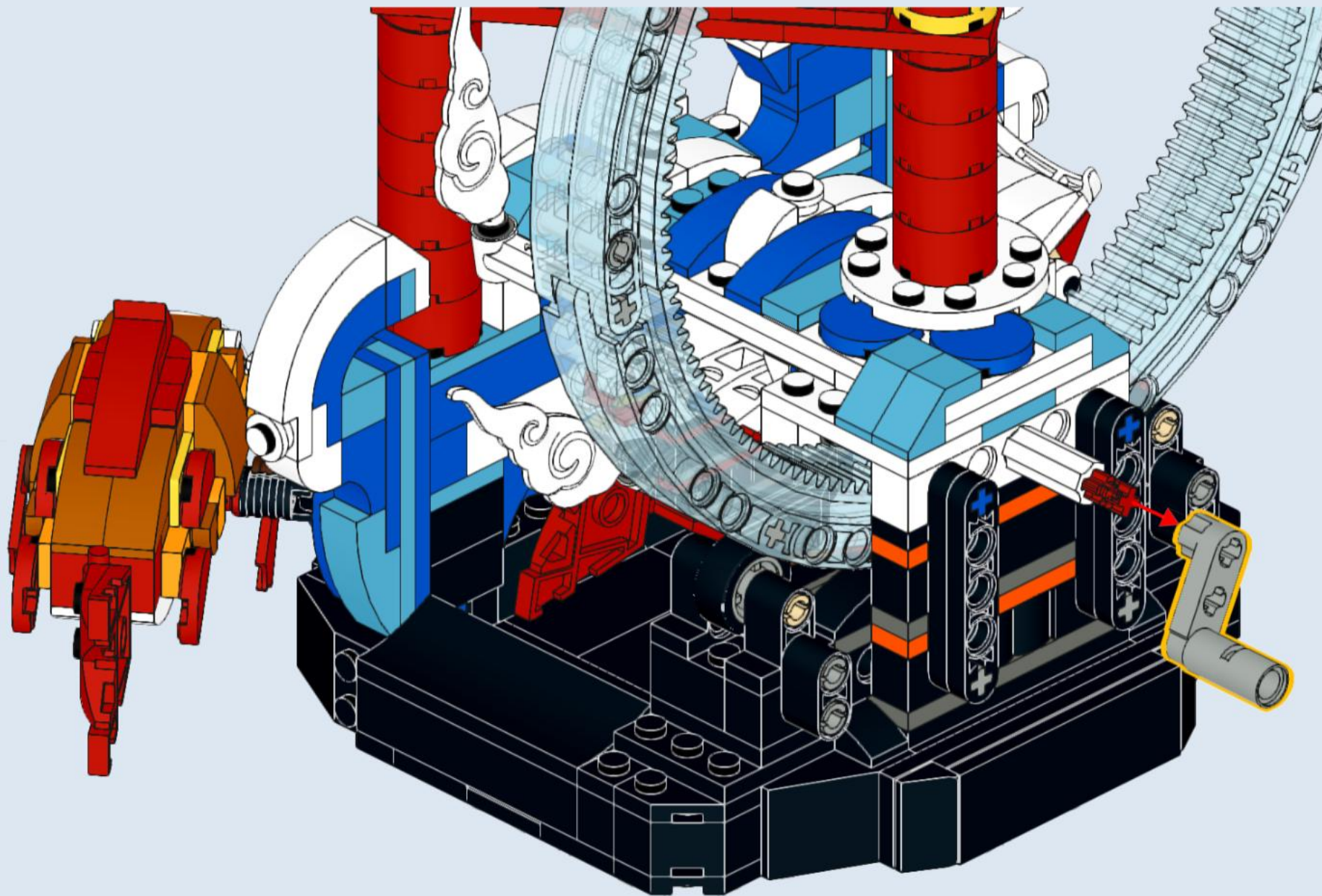
Testing



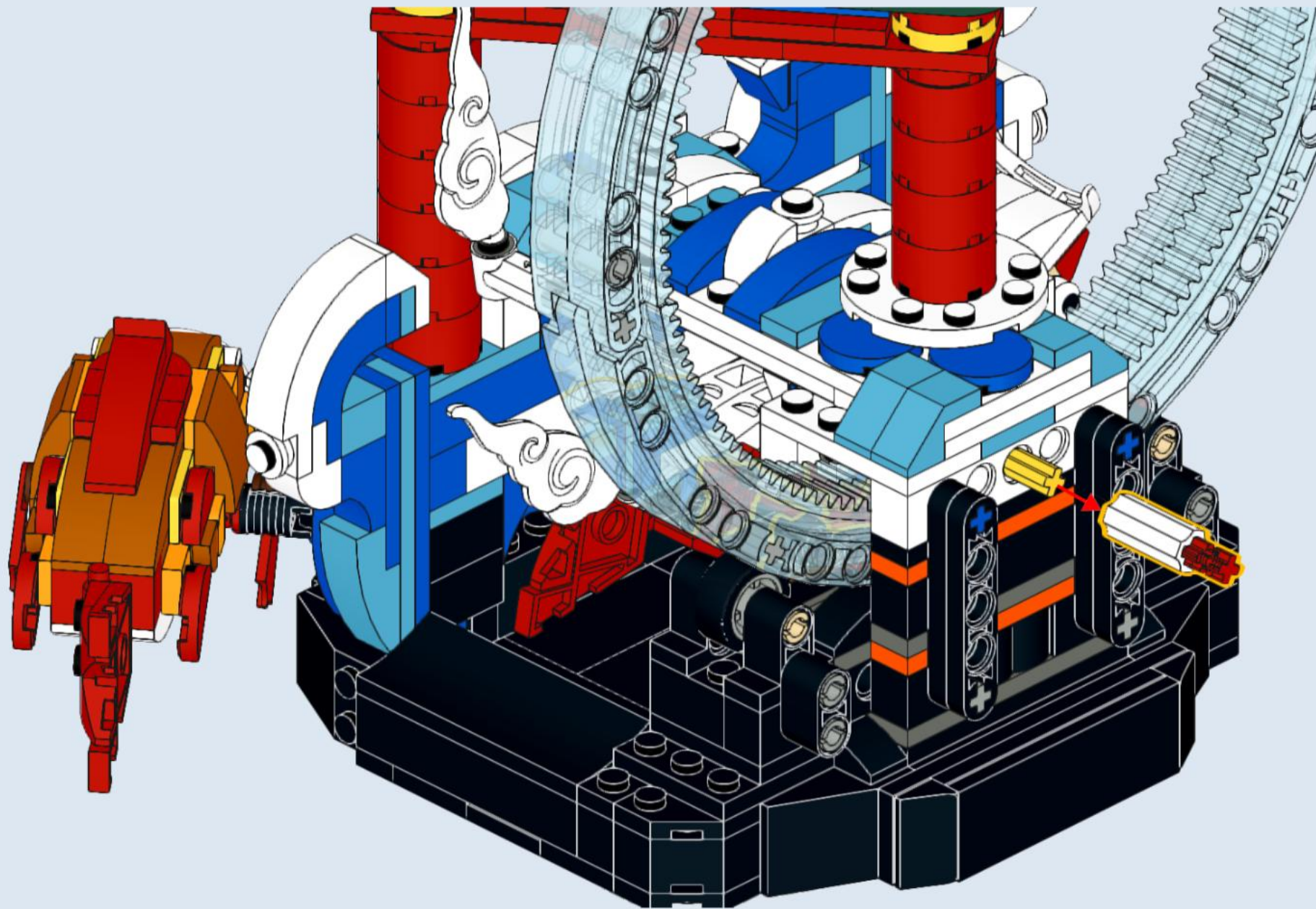
Section 3 – Preparation Before Building

Step-by-step removal of parts from the set

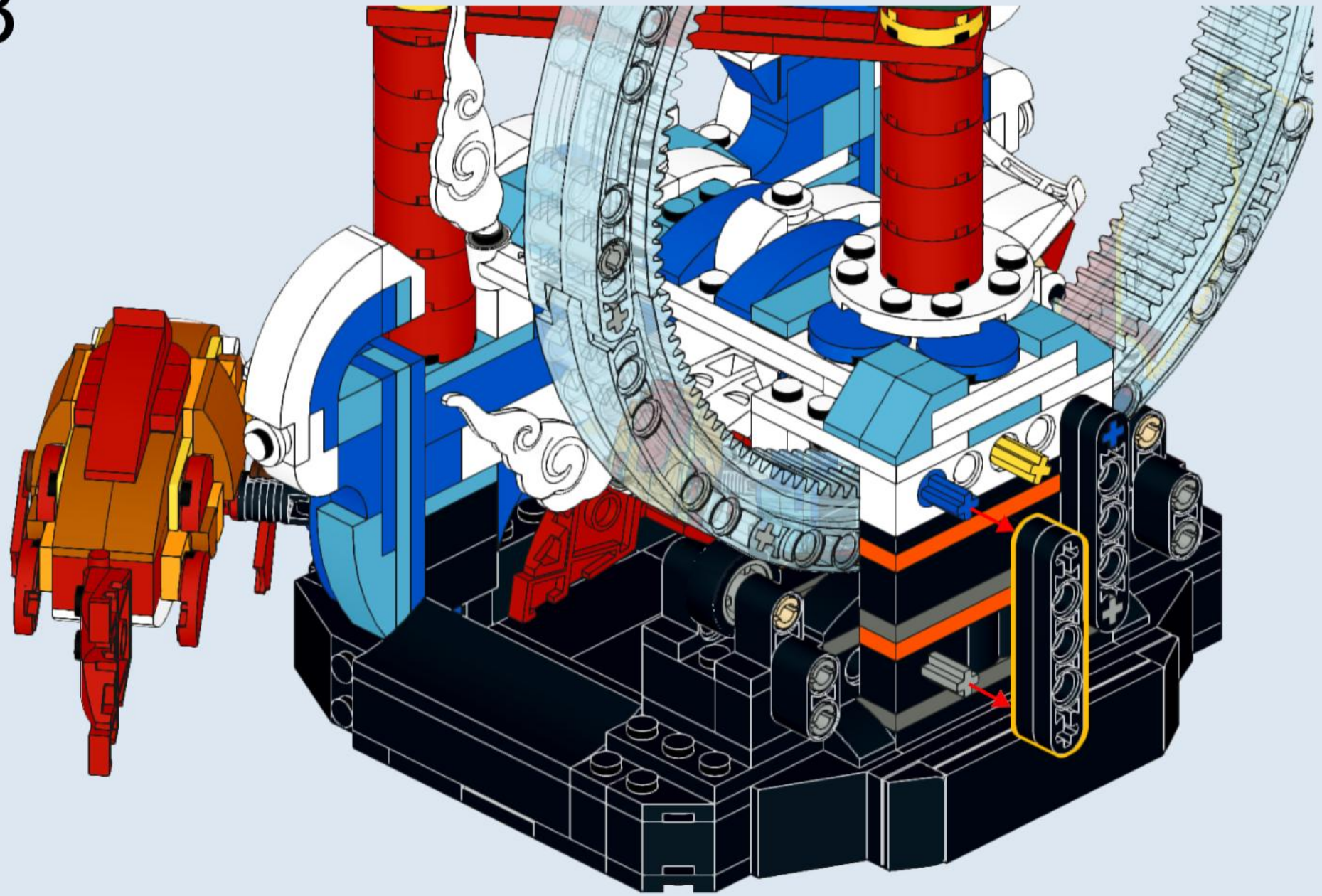
1



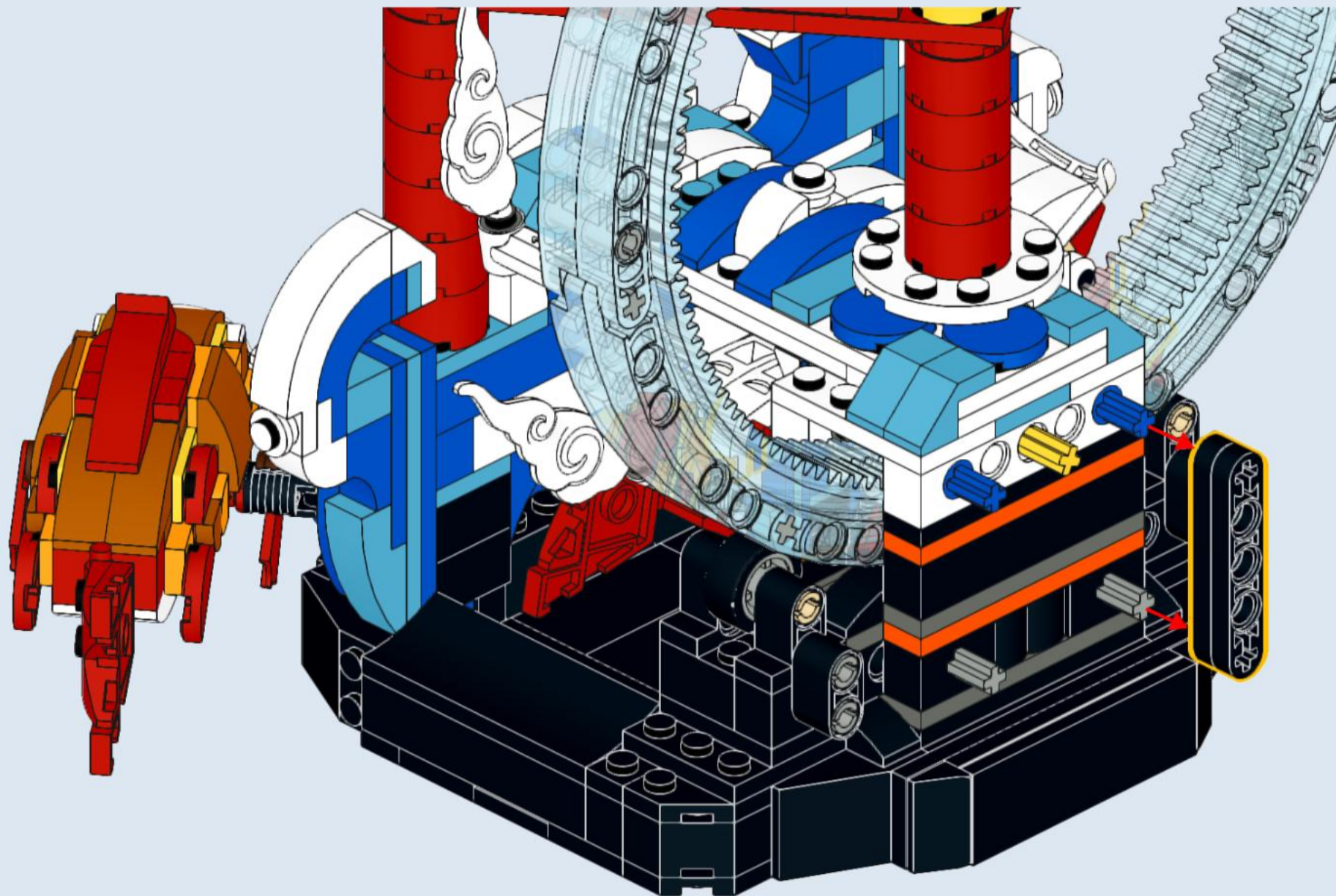
2



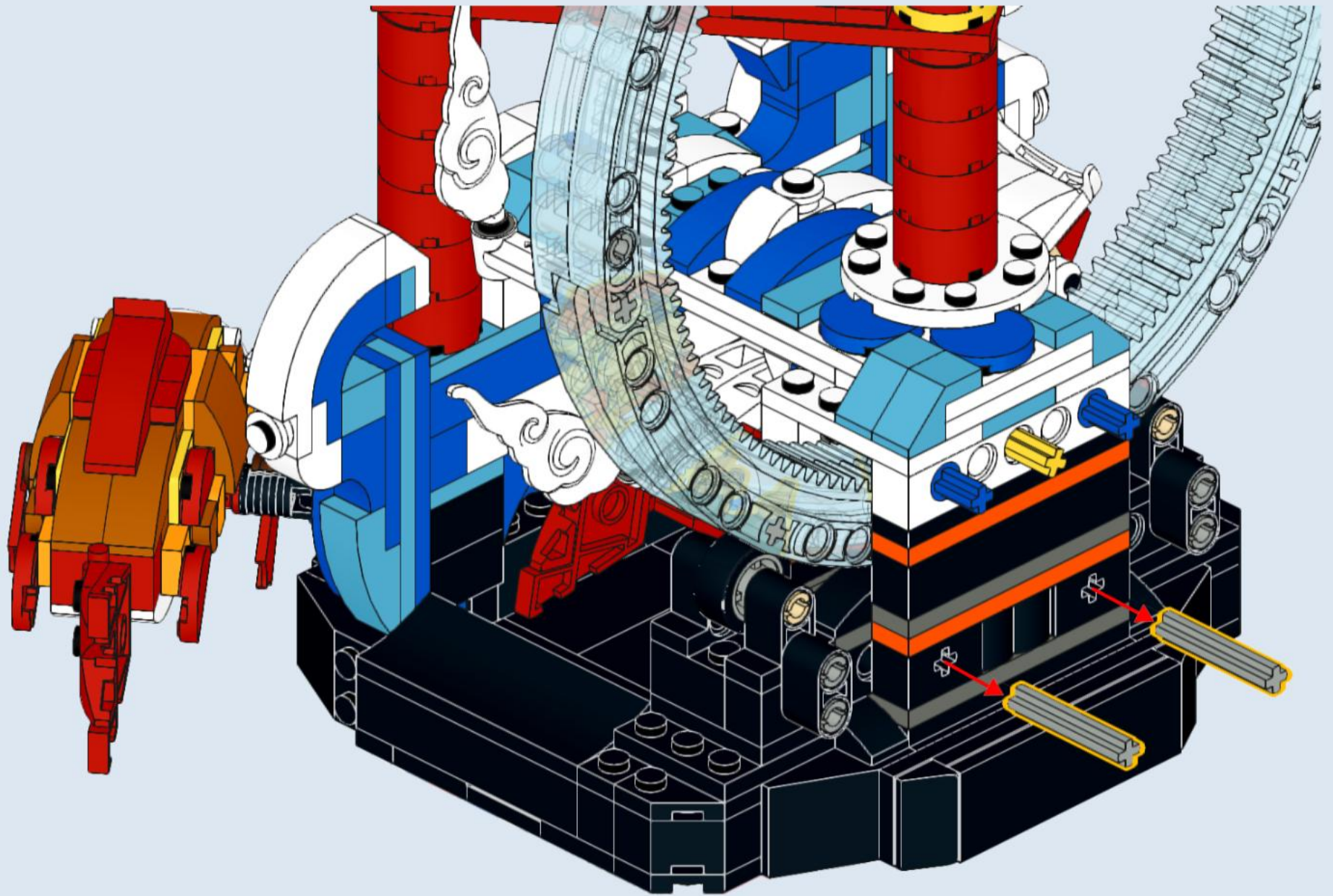
3



4



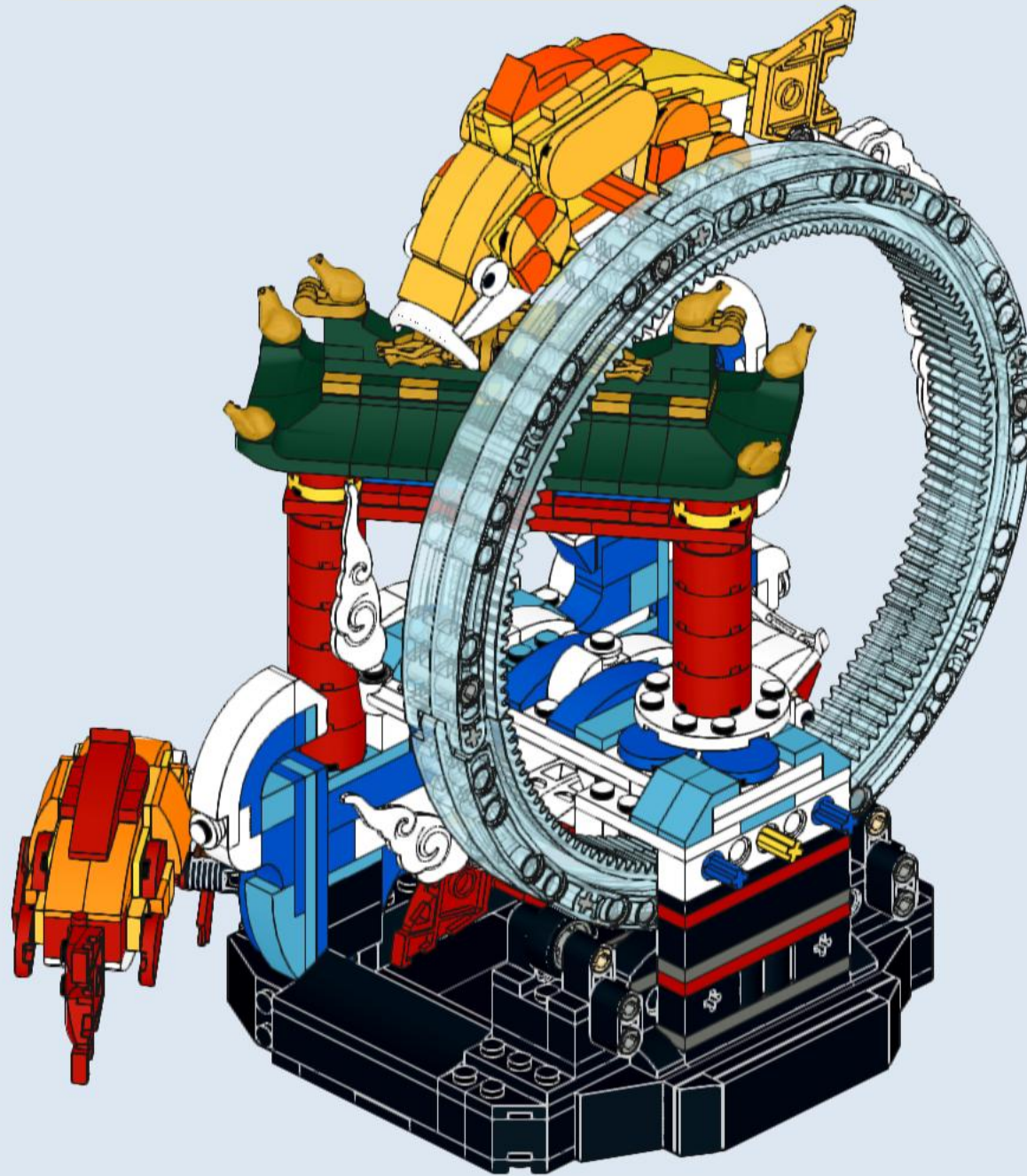
5

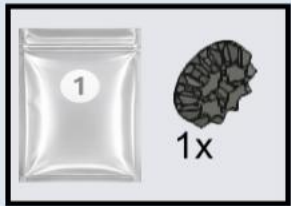


Section 4 – Start Building

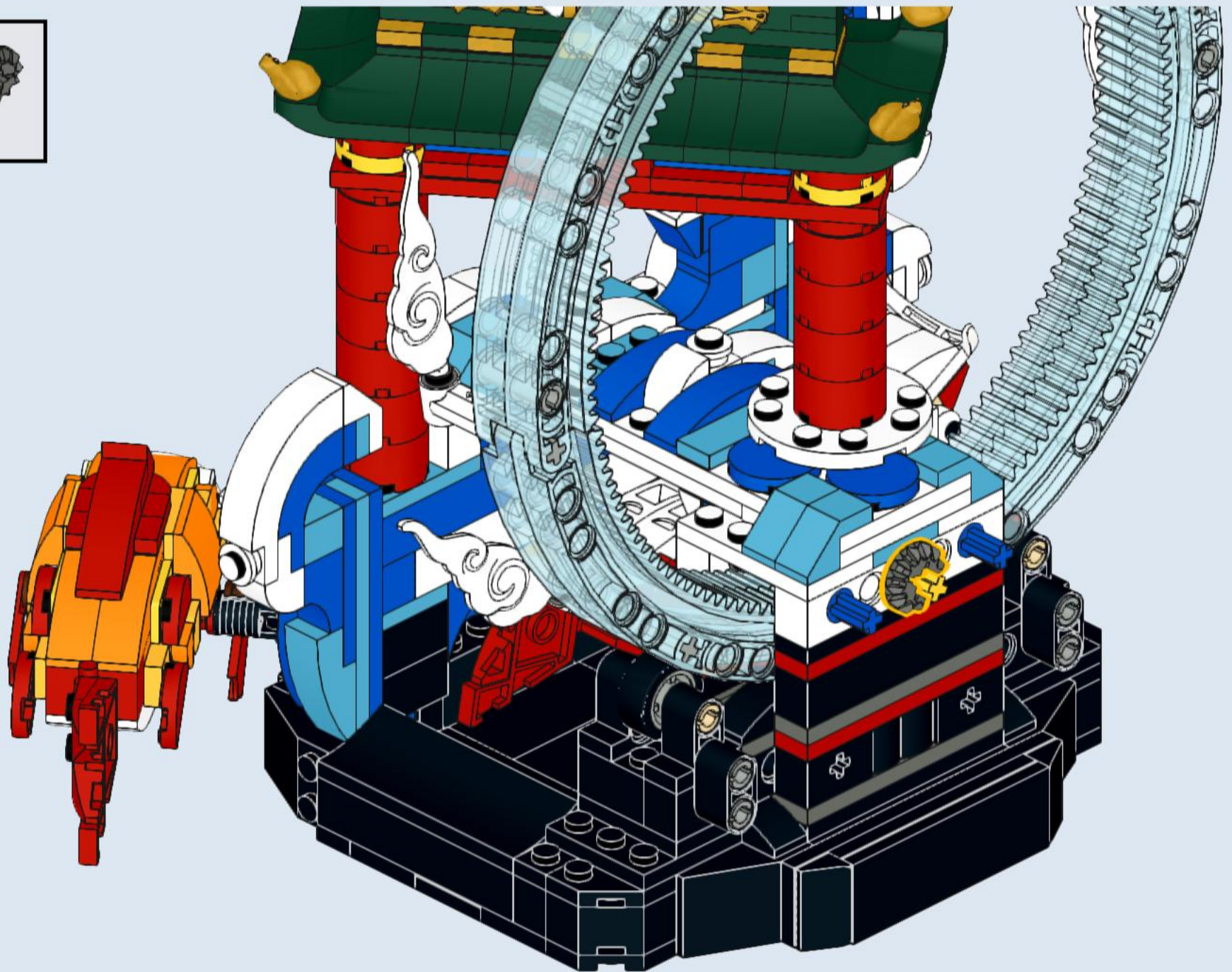
Take out the parts and start building

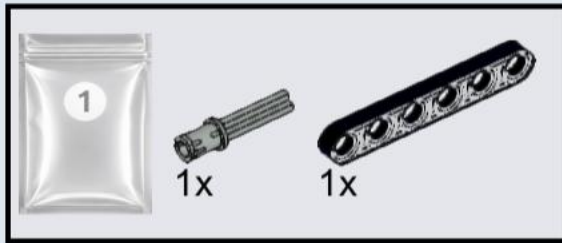
1



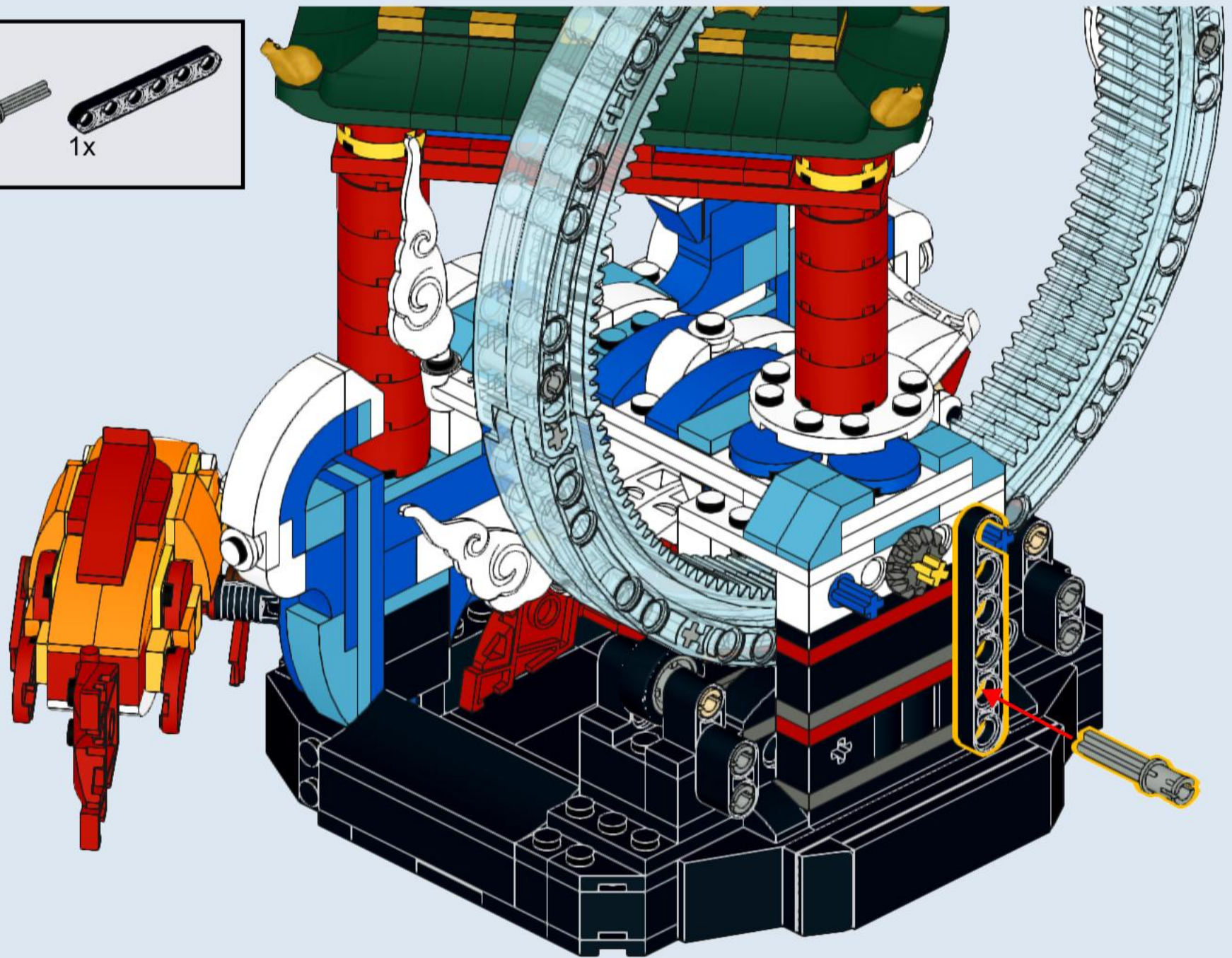


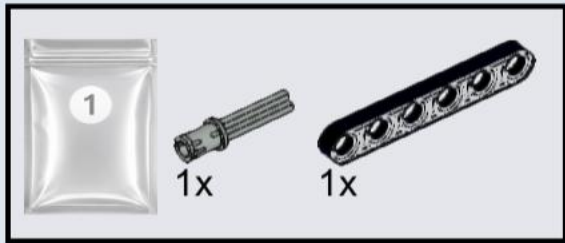
2



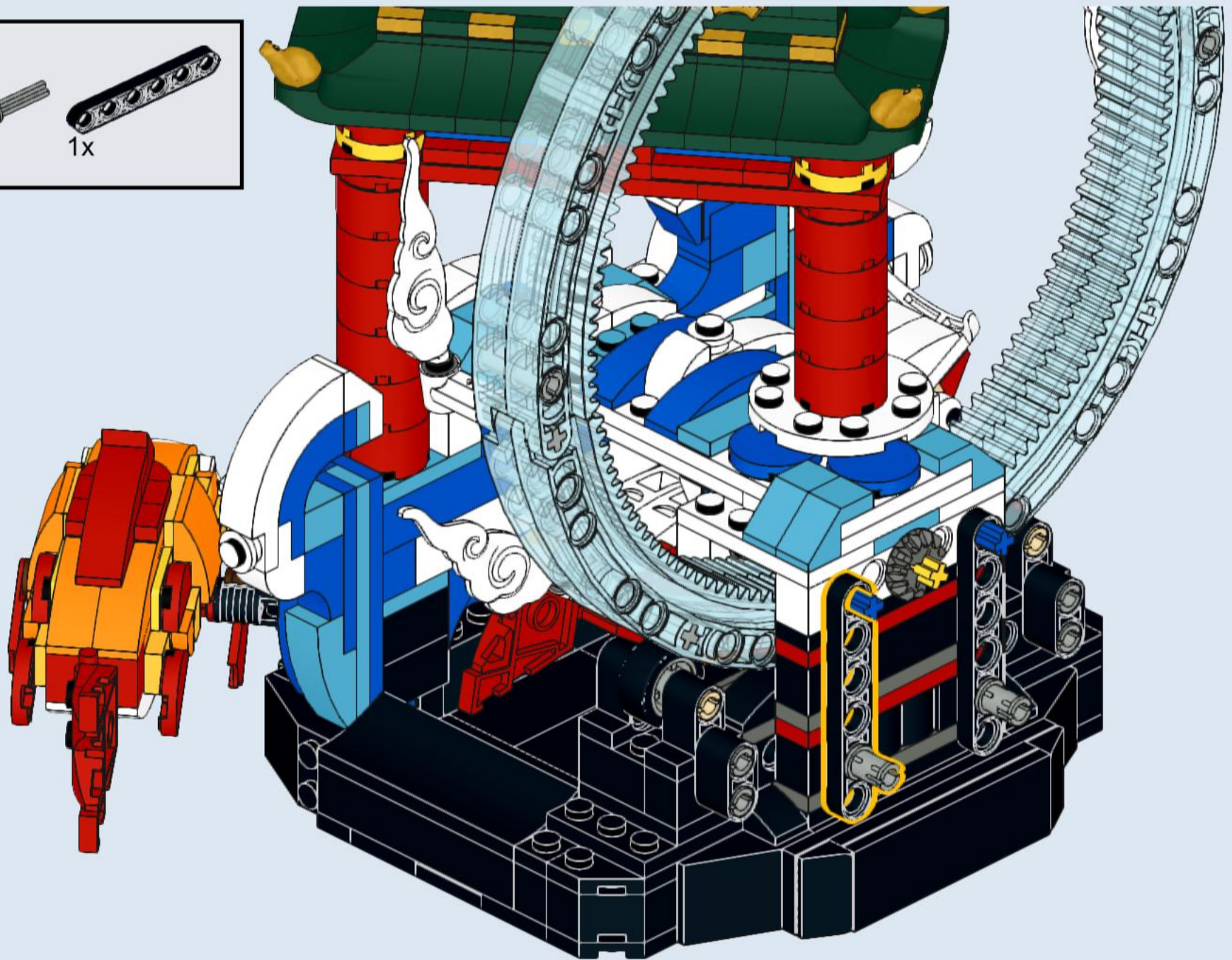


3

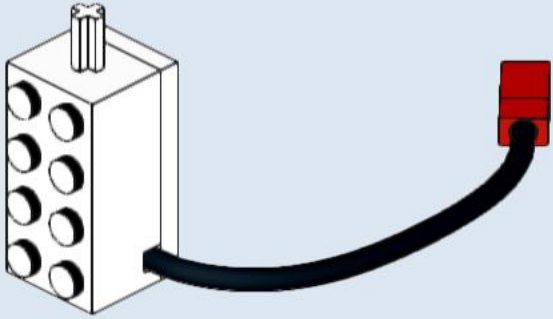




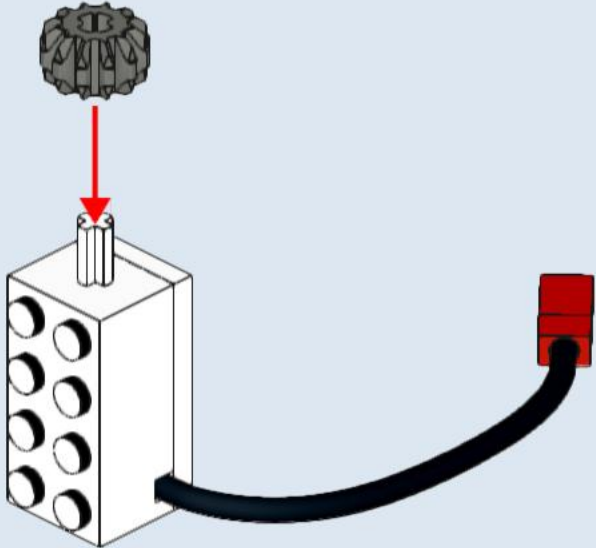
4



Take out the motor

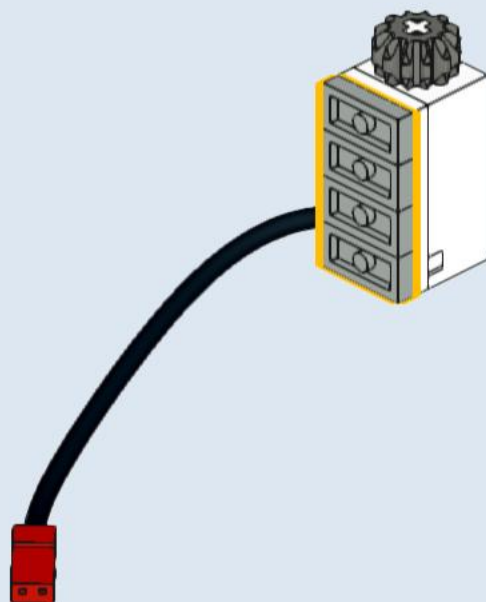


5

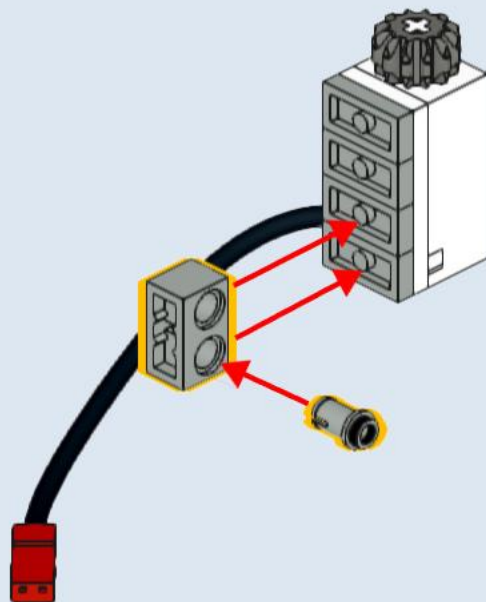


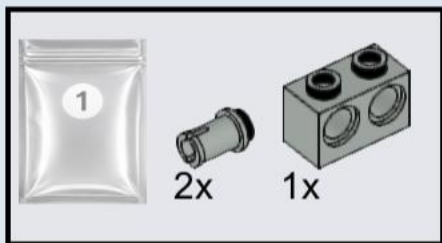


6

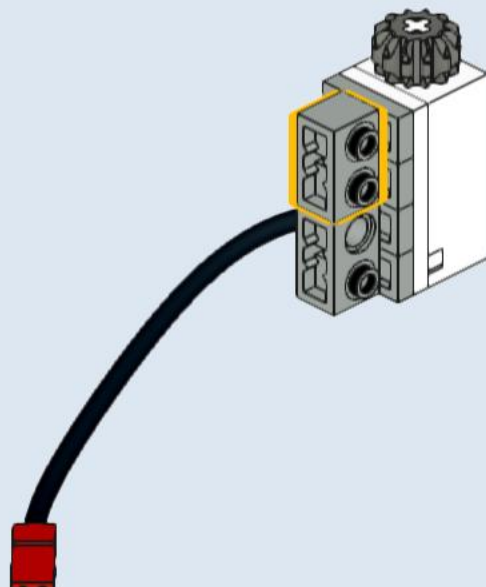


7

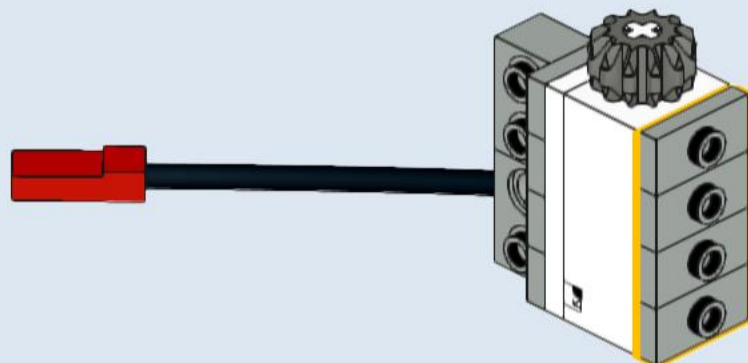


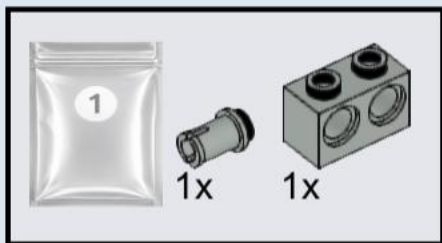


8

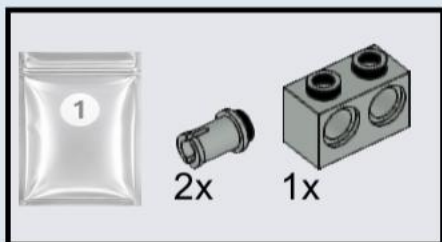
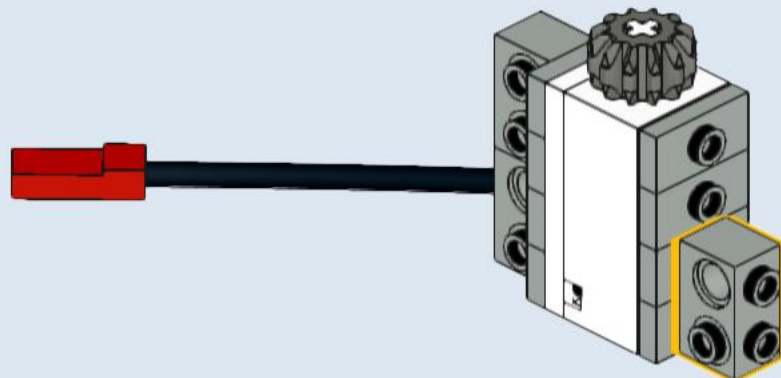


9

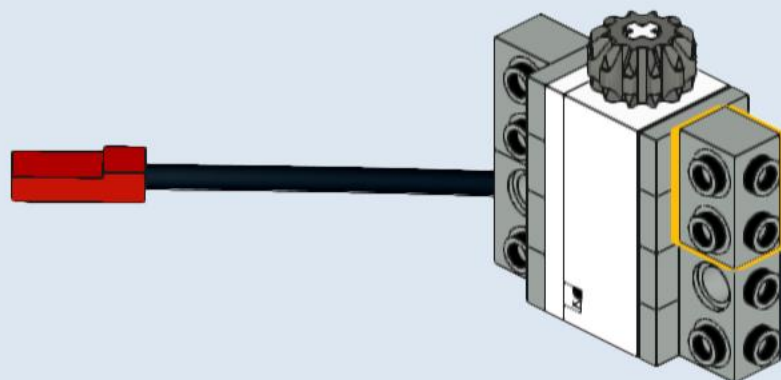




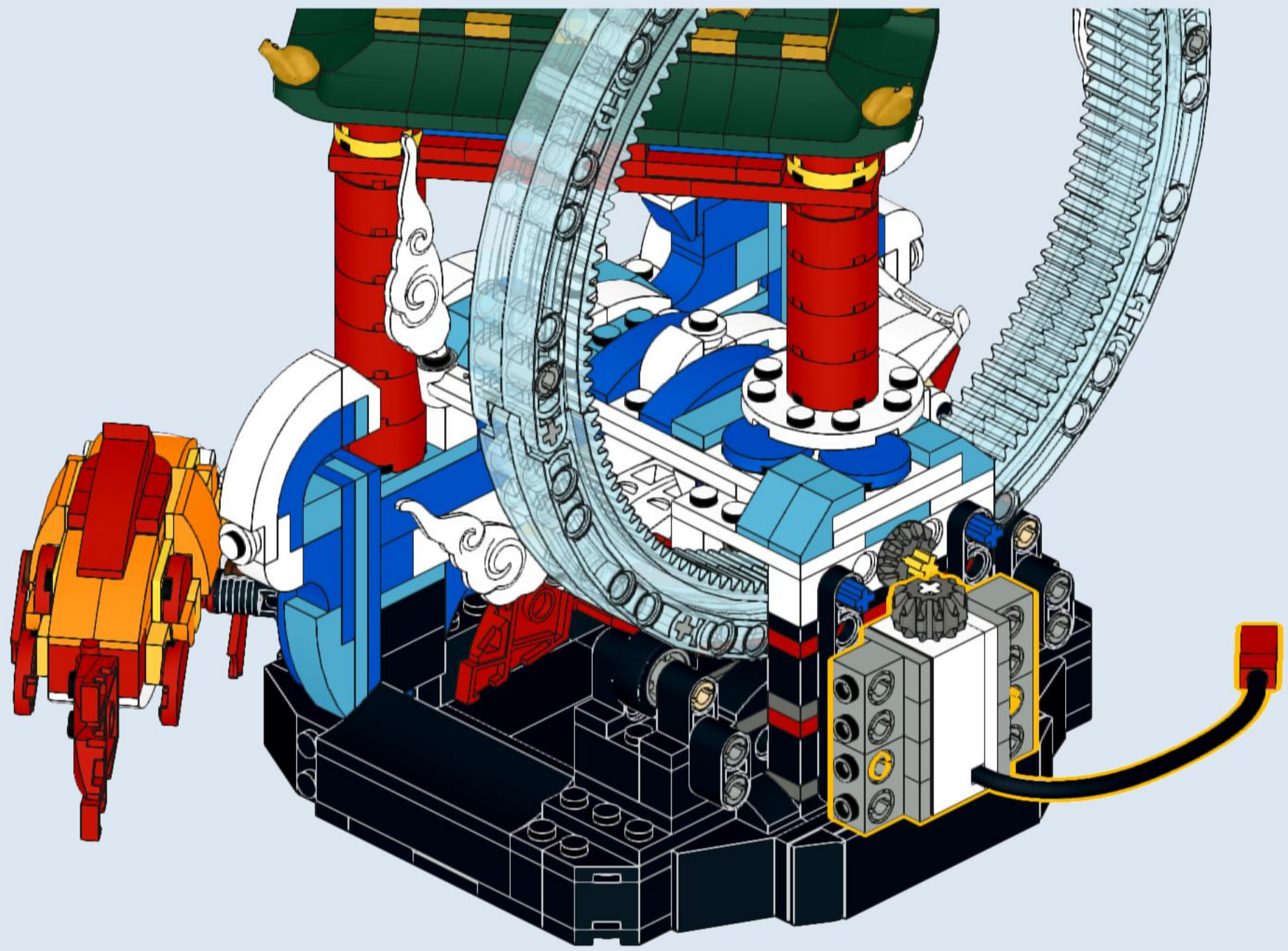
10



11



12

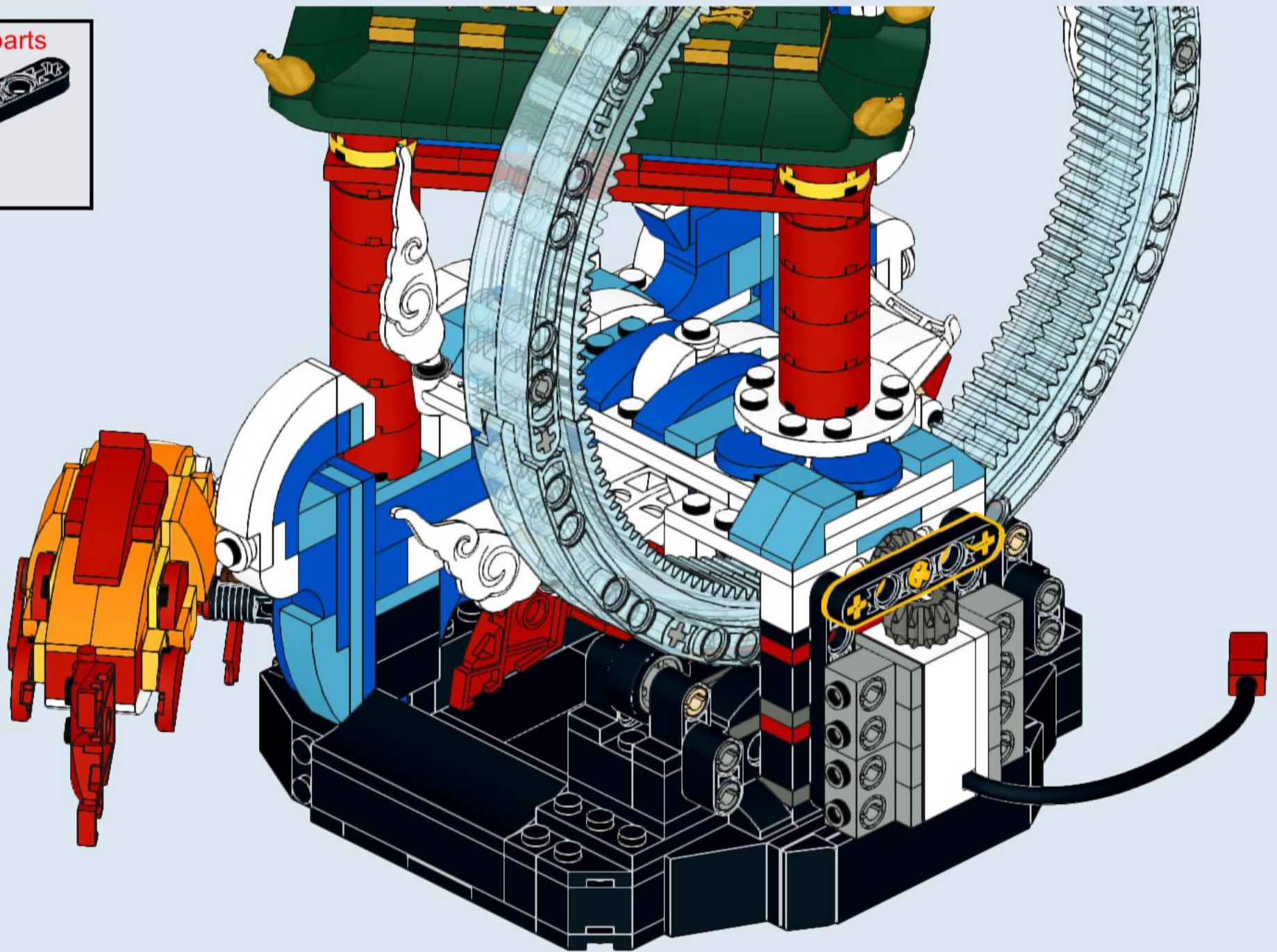


Original parts

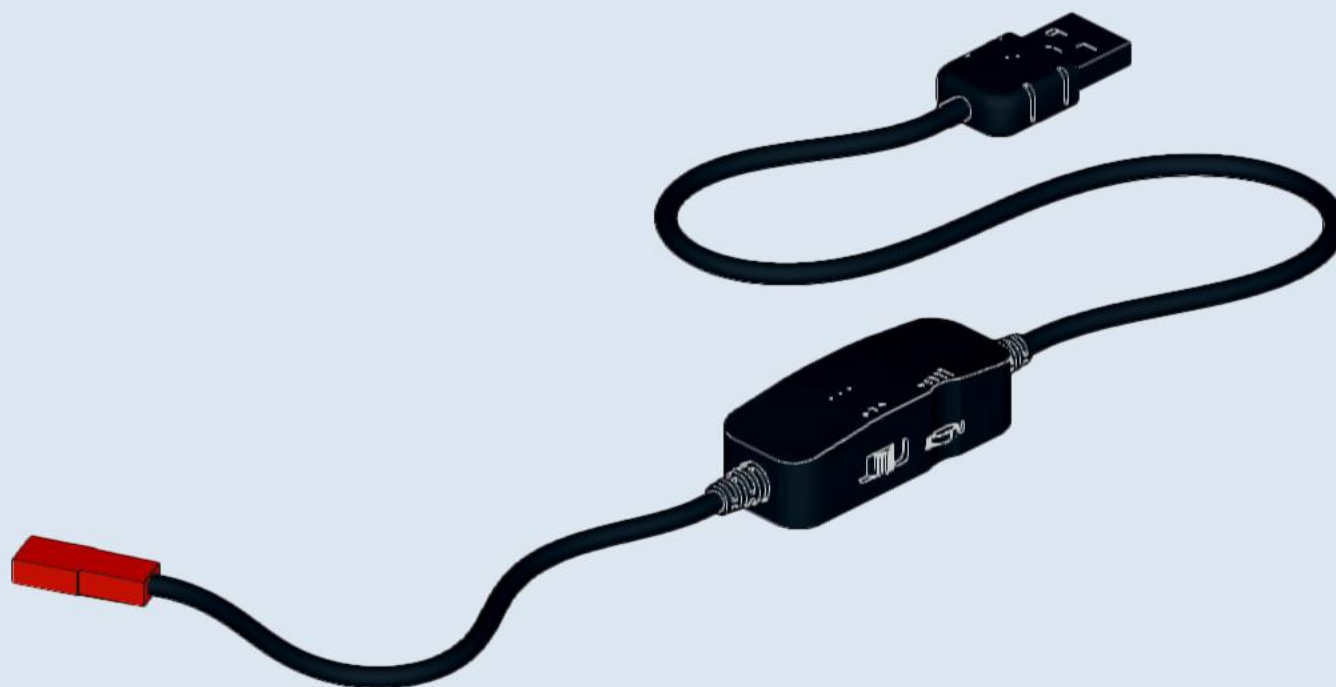


1x

13



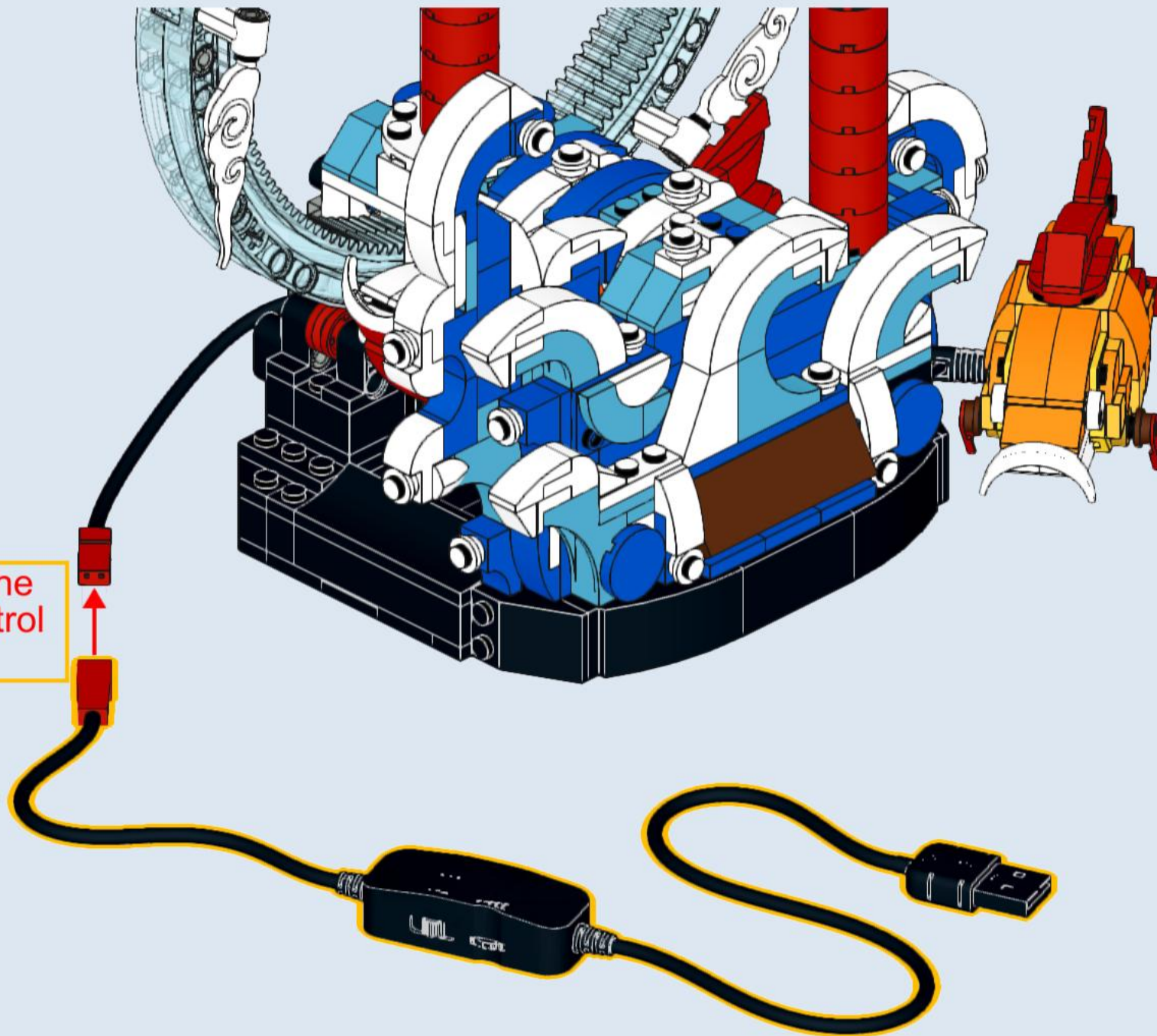
Take out the speed control switch



14



Connect the
speed control
switch



15

Connect the power supply and adjust the speed to a suitable level



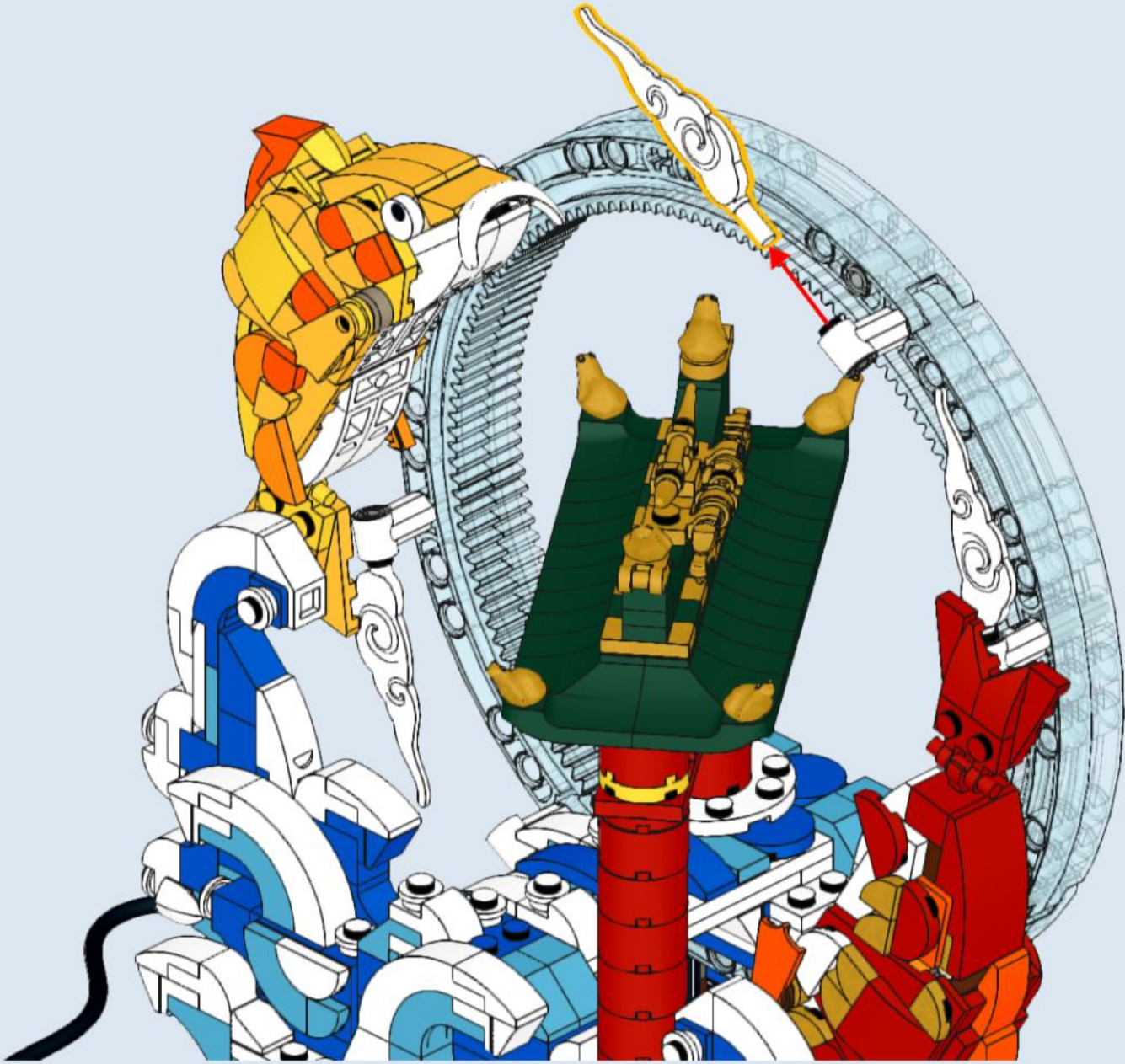
Power system completed

Lighting system compatibility is required.
Continue with the following steps

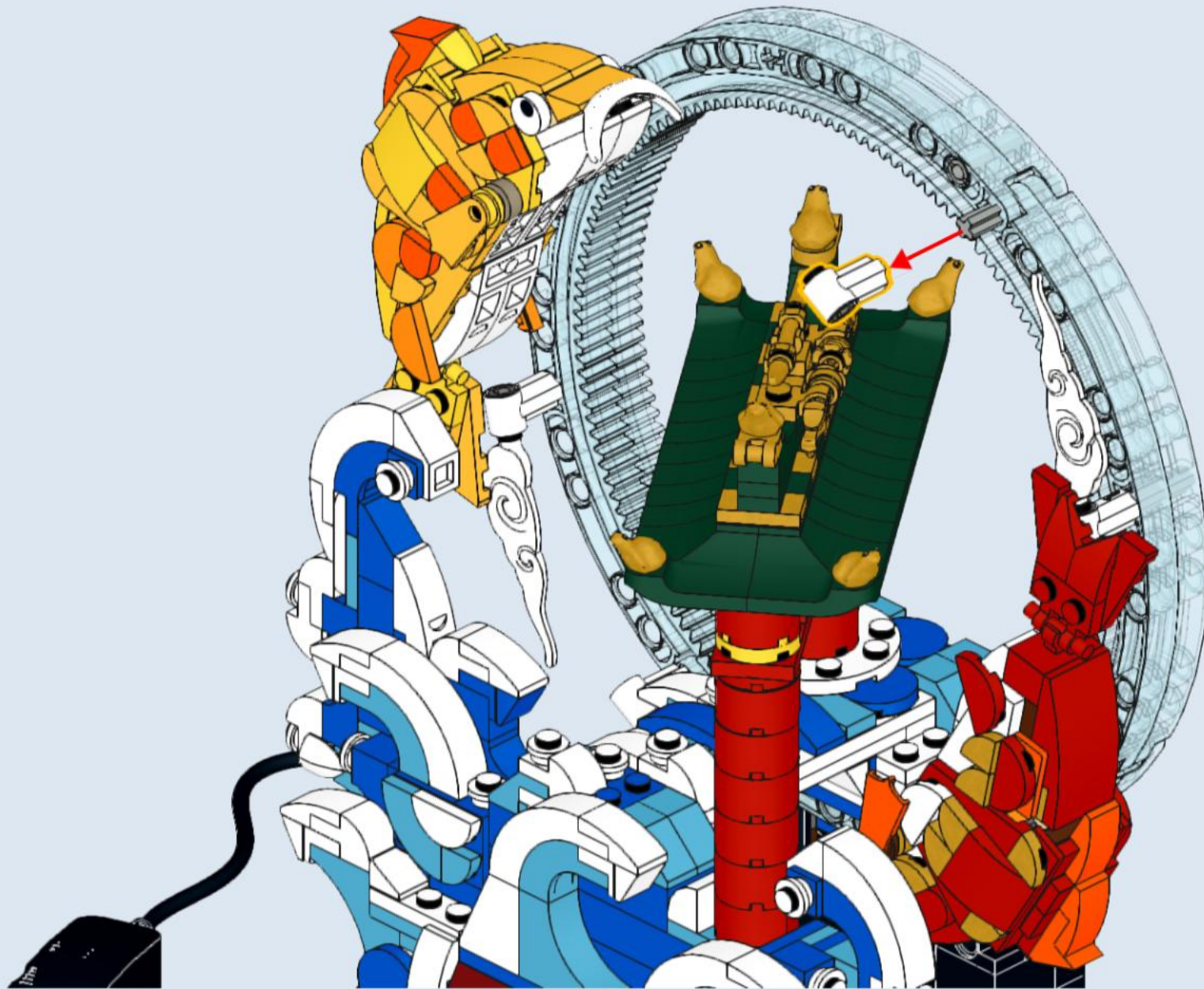
Section 5 – Preparation for Lighting Compatibility

1

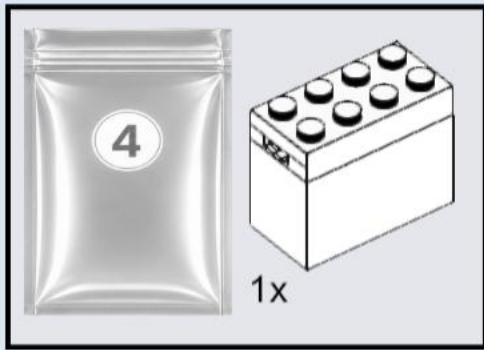
Remove parts step by step



2

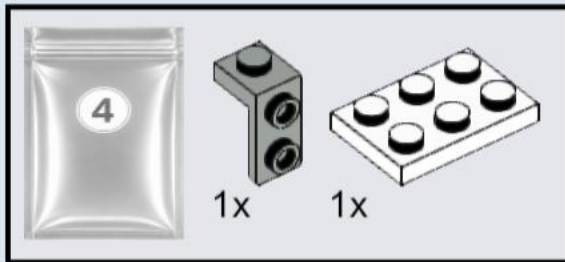
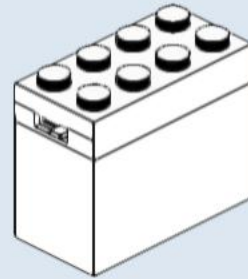


Section 6 – Lighting-Compatible Modification

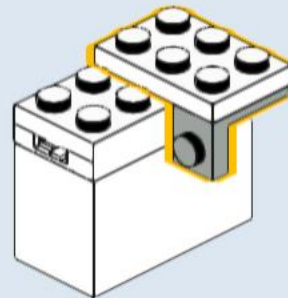


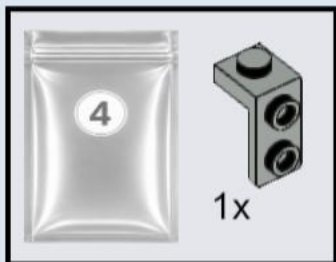
1

Connect one end to the battery box and the other end to the switch. Pay attention to the assembly direction

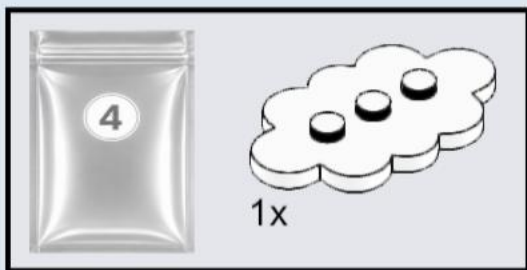
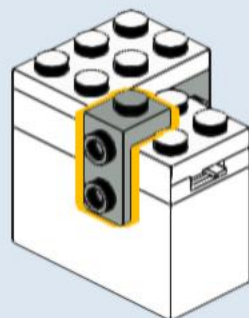


2

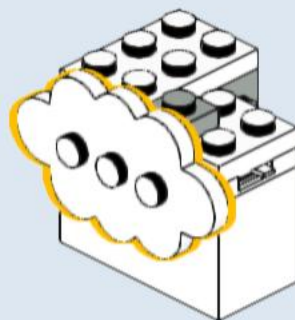


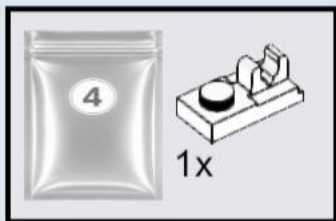


3

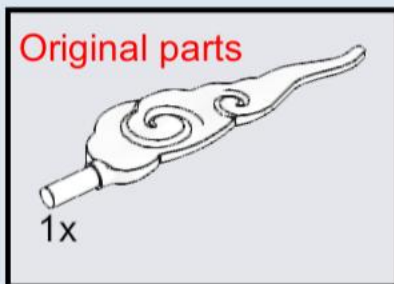
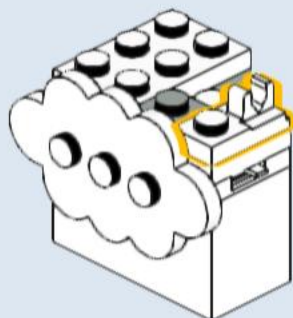


4

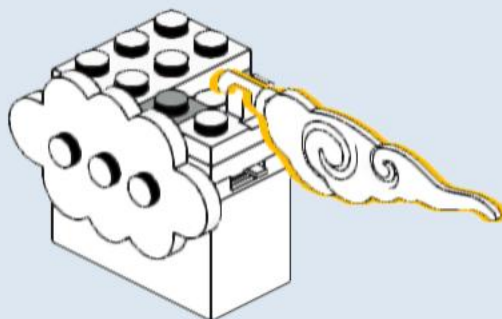


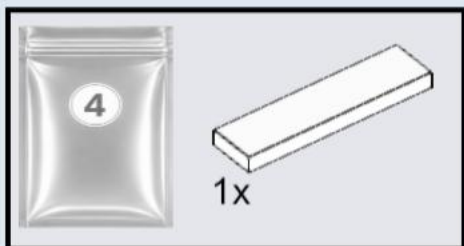


5

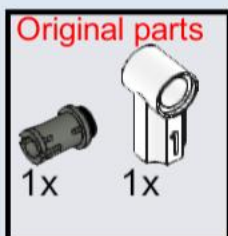
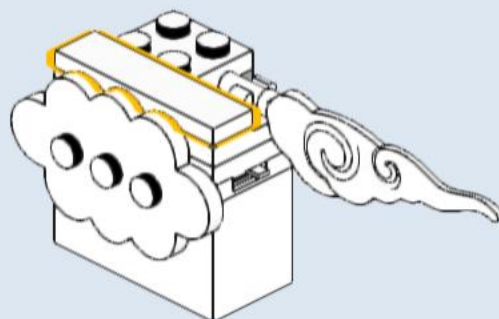


6

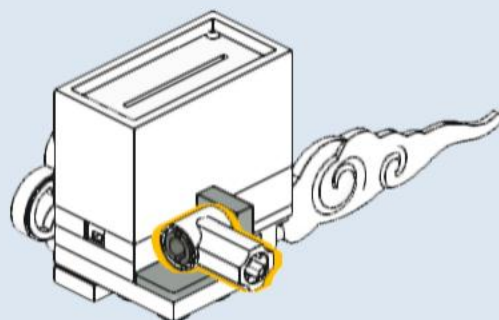


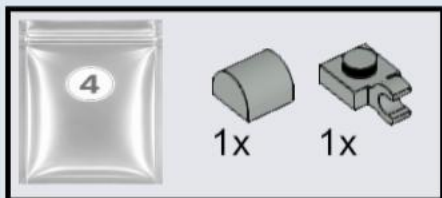


7

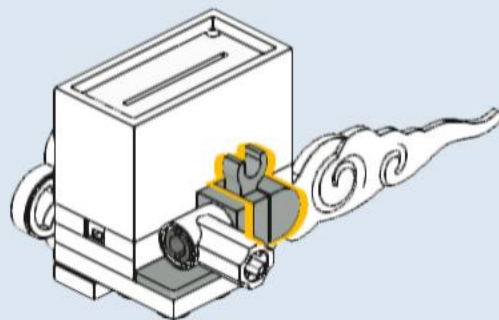


8

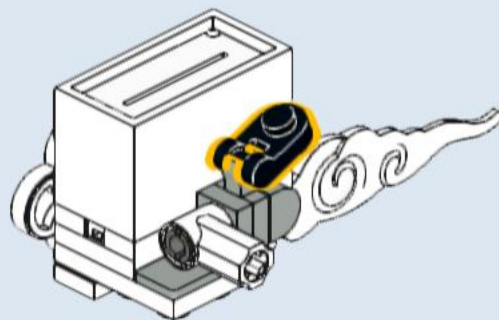




9

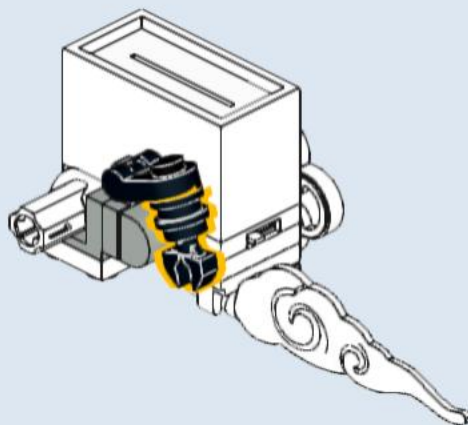


10

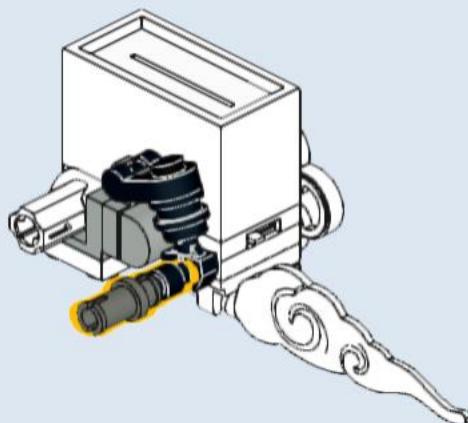




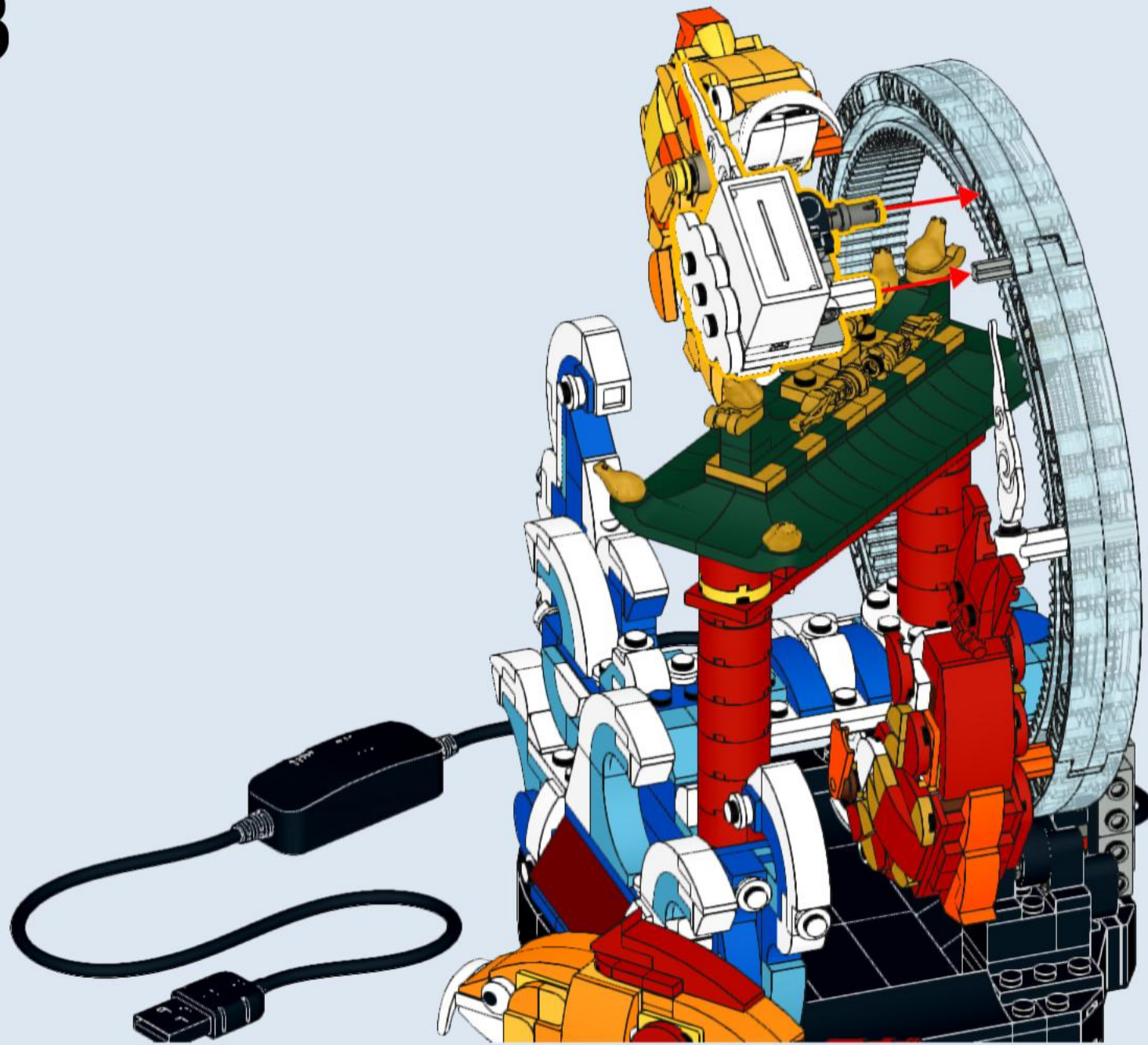
11



12



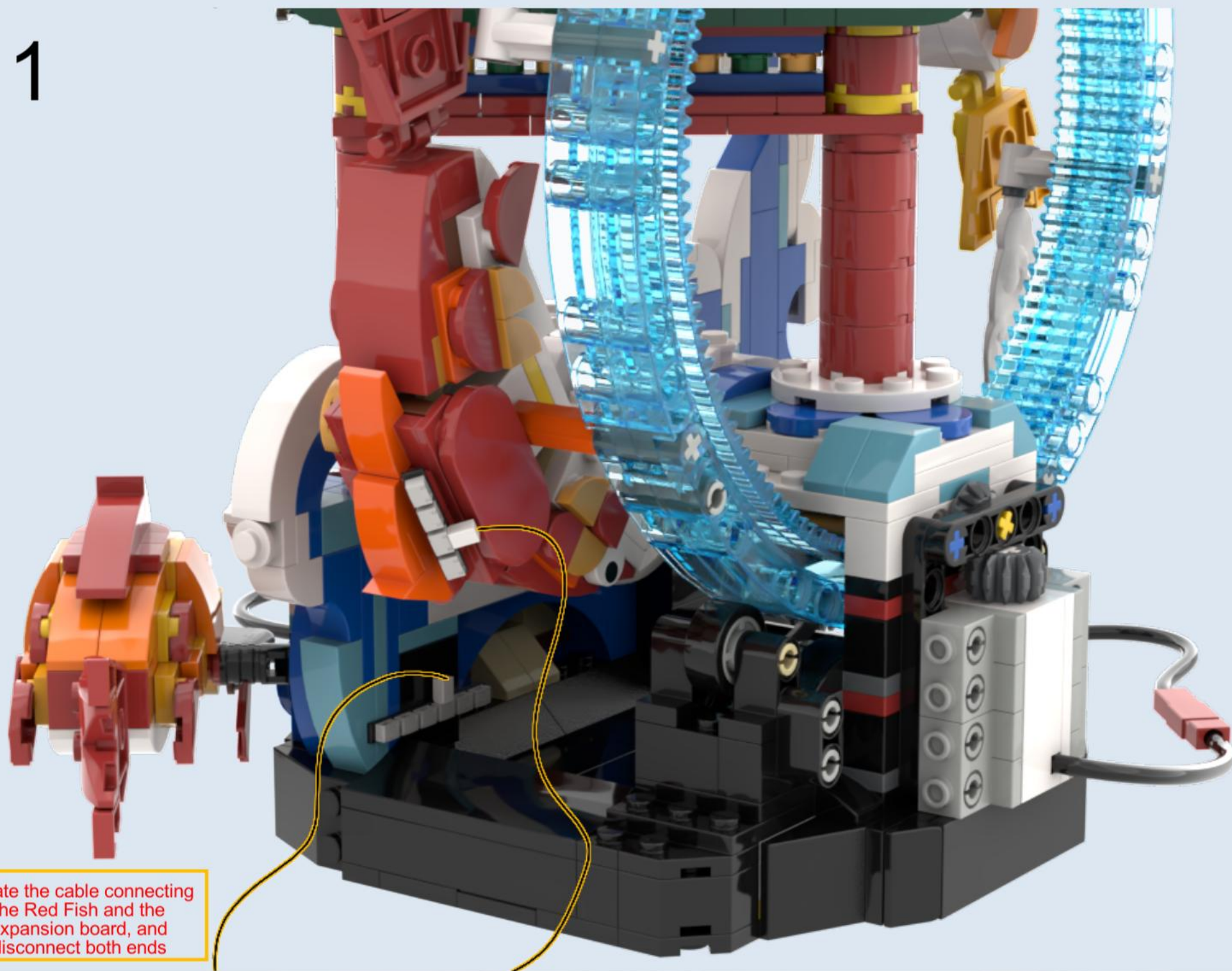
13



Section 7 – Lighting Wiring Modification

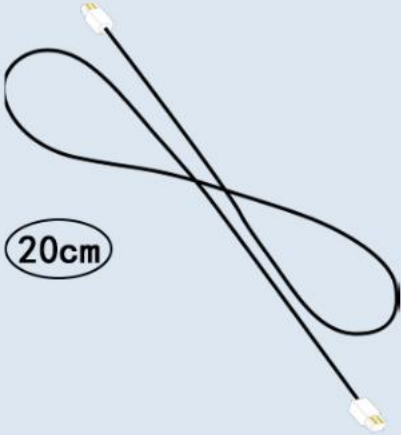
Classic Version – Lighting Wiring Modification

1



Locate the cable connecting the Red Fish and the expansion board, and disconnect both ends

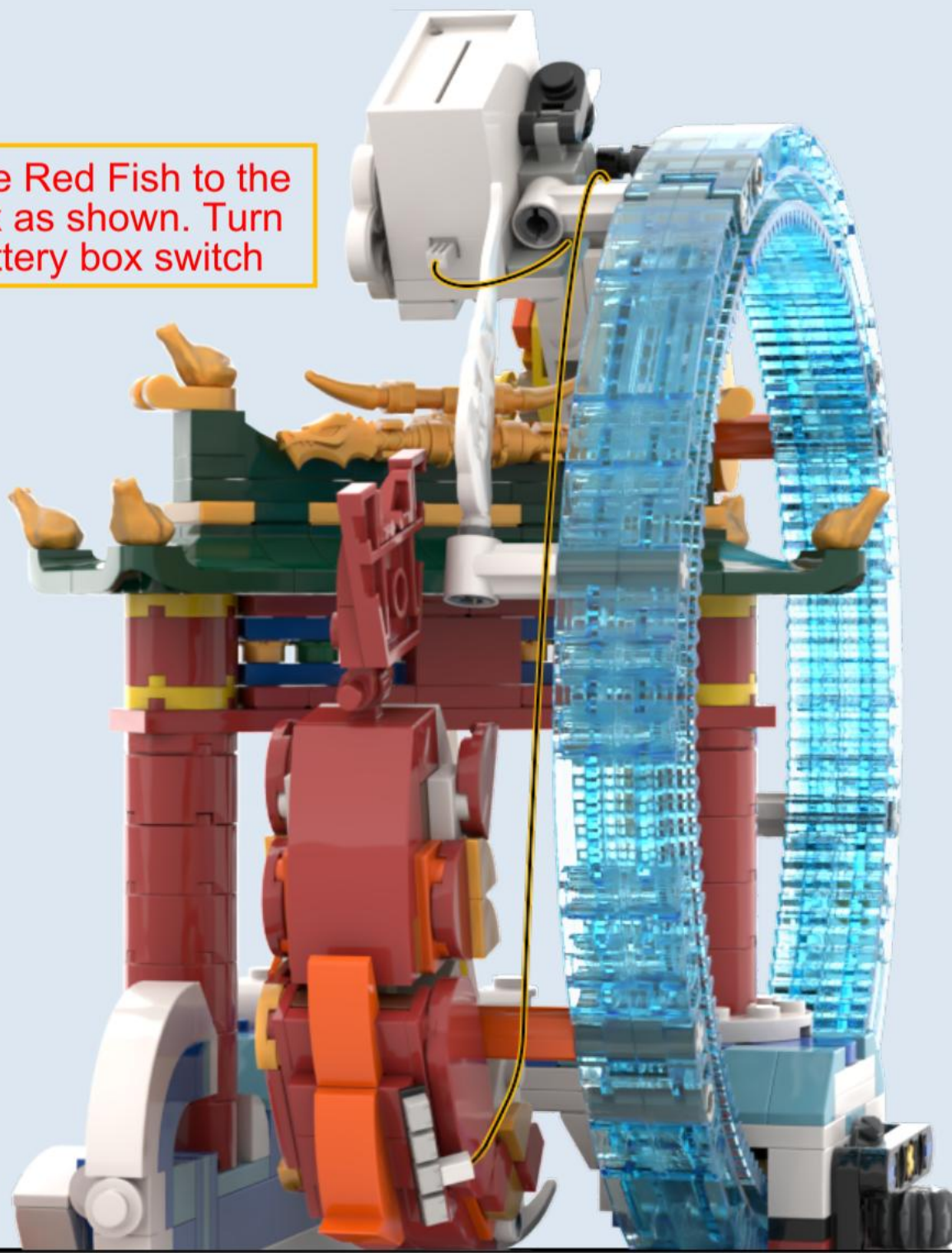
Take out the cable



2



Connect the Red Fish to the battery box as shown. Turn on the battery box switch



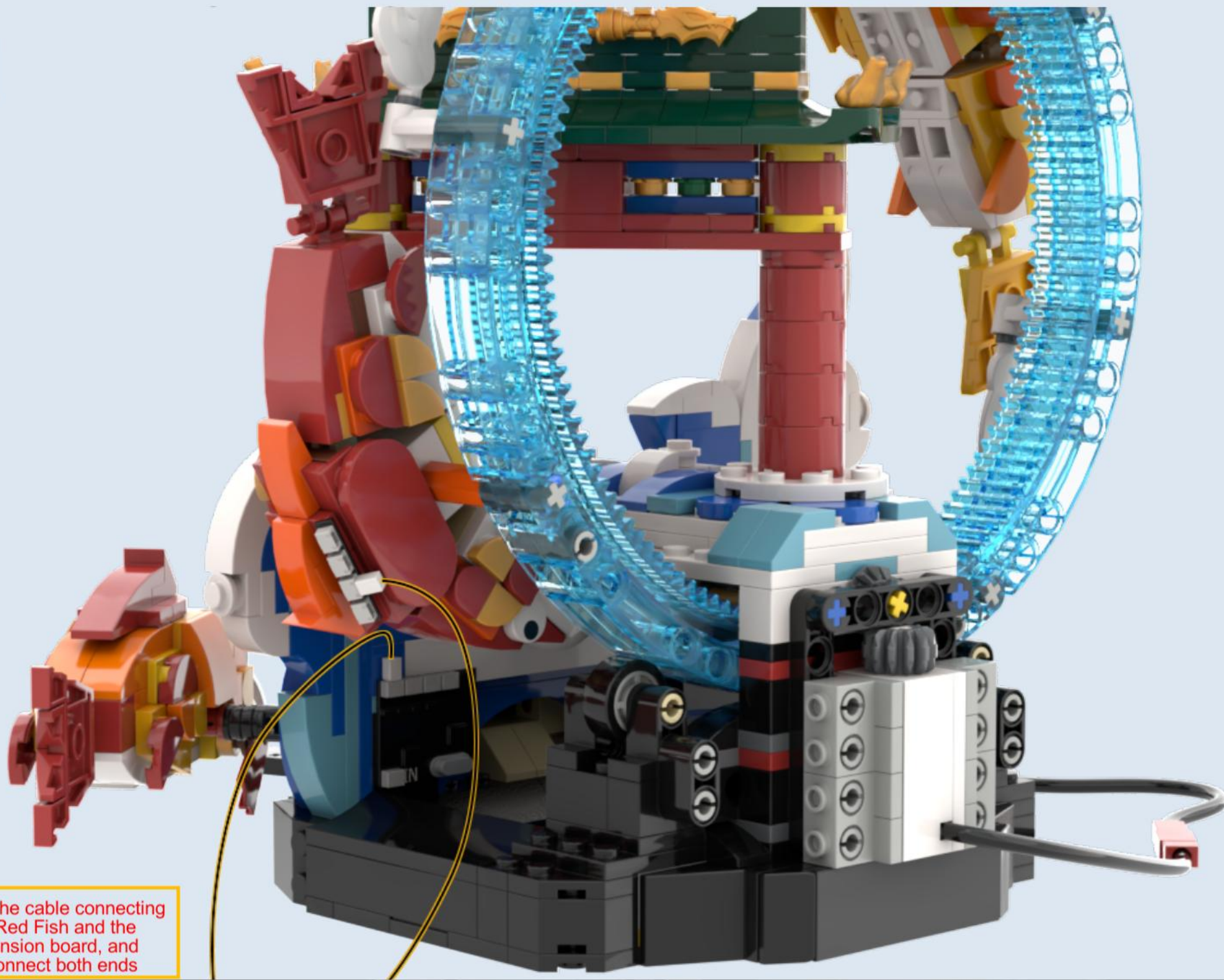
3

Organize the cables and reduce the motor speed. Let the model rotate slowly and check for any cable entanglement. If the cables get caught, immediately turn off the motor and fix the wiring. Finally, adjust the speed to a suitable level



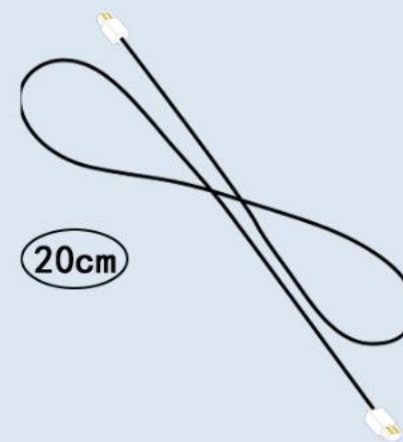
18-Key Remote Version – Lighting Wiring Modification

1



Locate the cable connecting the Red Fish and the expansion board, and disconnect both ends

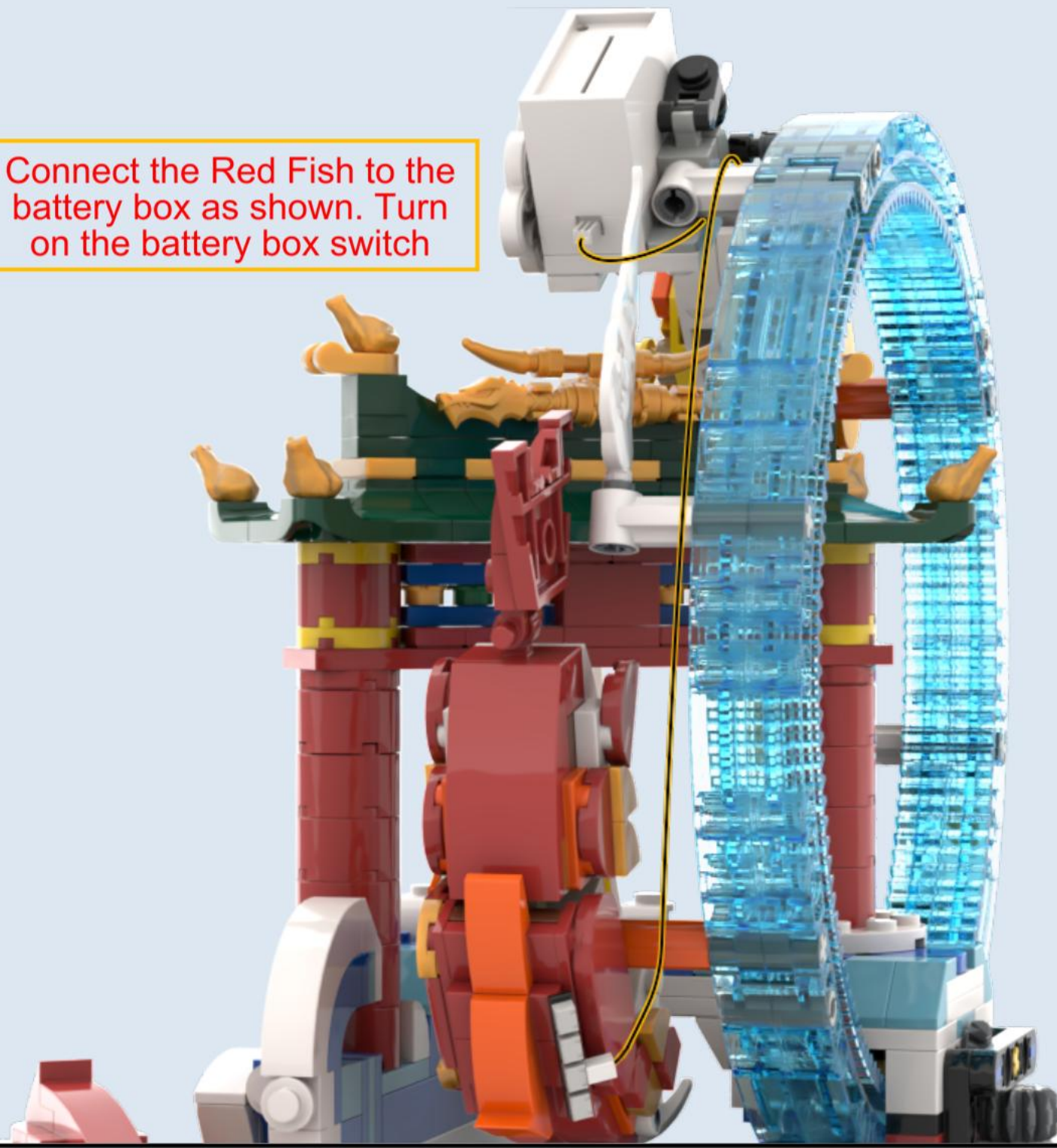
Take out the cable



2



Connect the Red Fish to the battery box as shown. Turn on the battery box switch



3

Organize the cables and reduce the motor speed. Let the model rotate slowly and check for any cable entanglement. If the cables get caught, immediately turn off the motor and fix the wiring. Finally, adjust the speed to a suitable level



**Lighting-compatible
modification completed**

